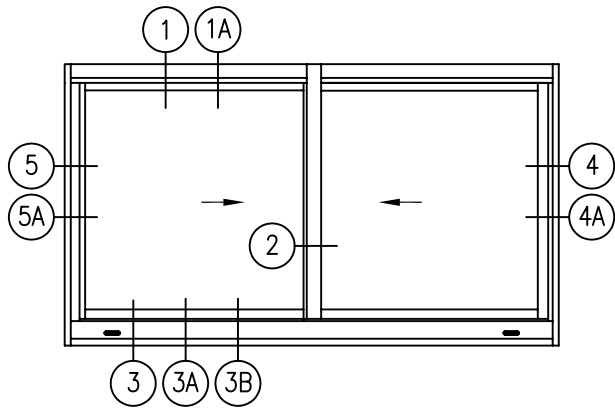
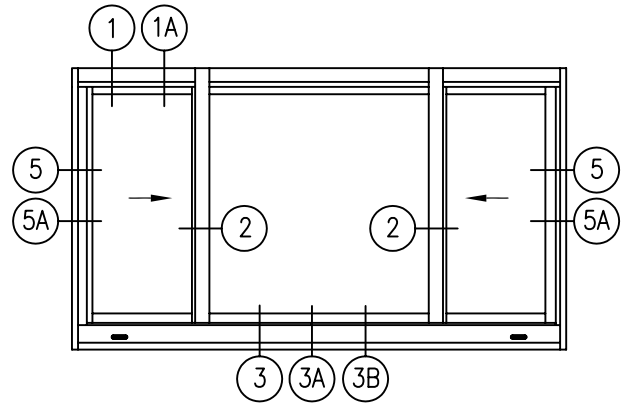


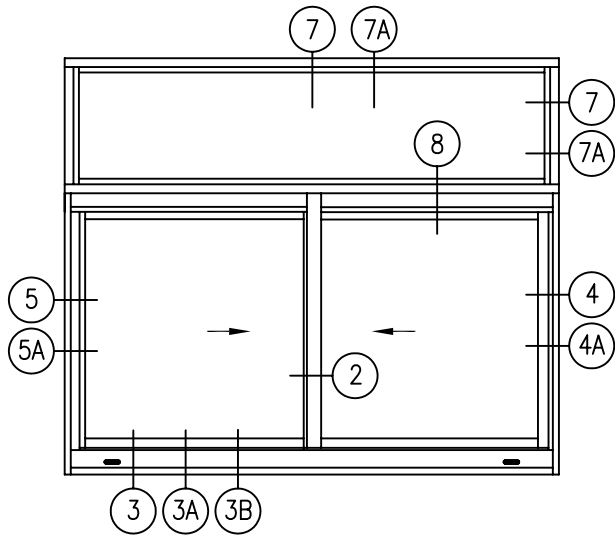
SCALE: NONE



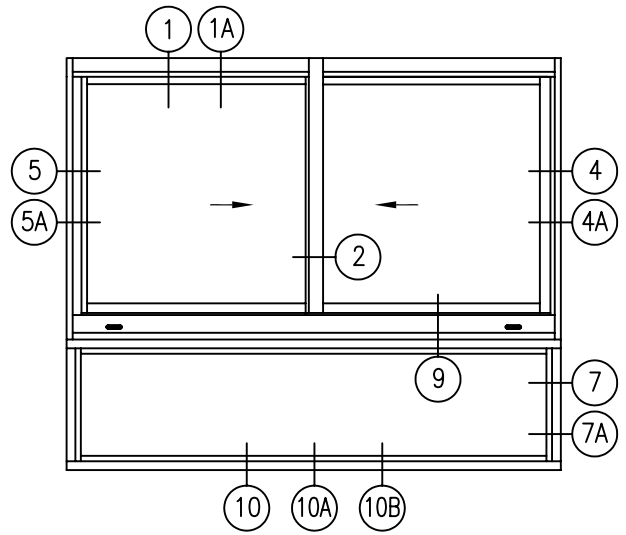
2-Lite Slider



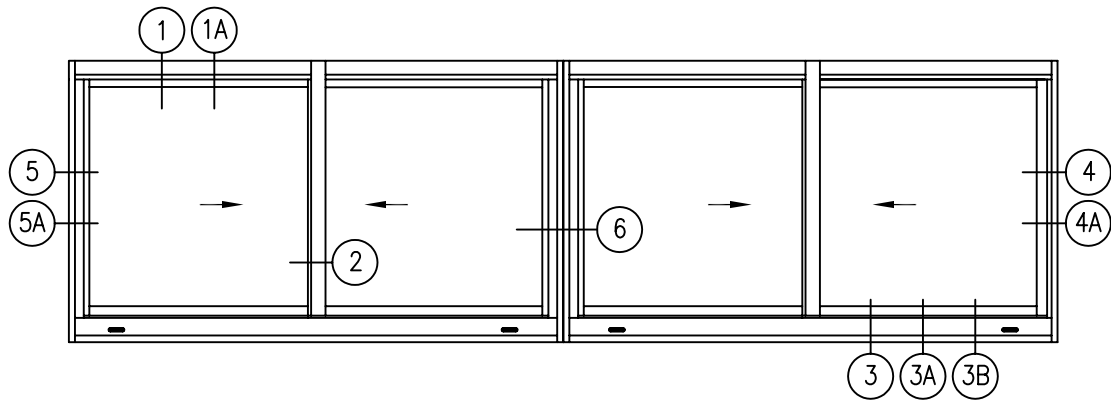
3-Lite Slider



2-Lite Slider with Top Transom

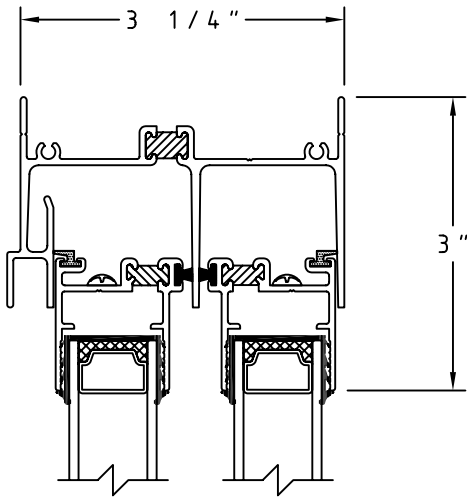


2-Lite Slider with Bottom Transom

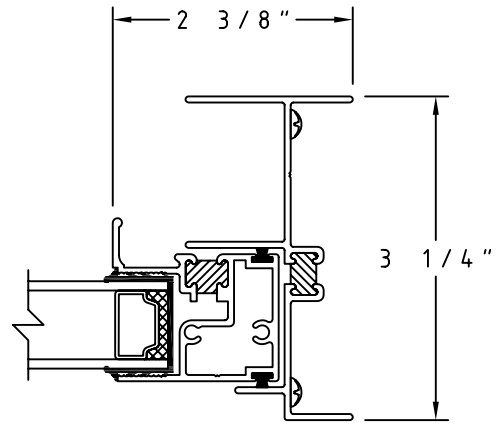


Twin 2-Lite Sliders with H Mullion

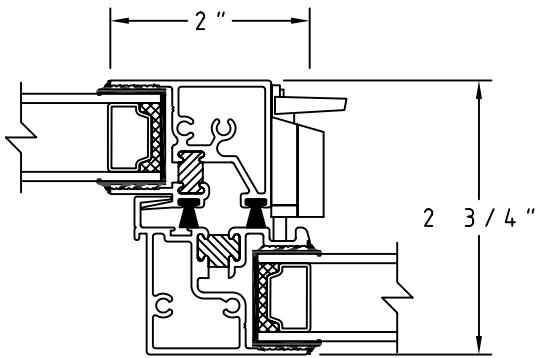
All Elevations are viewed outside looking IN.



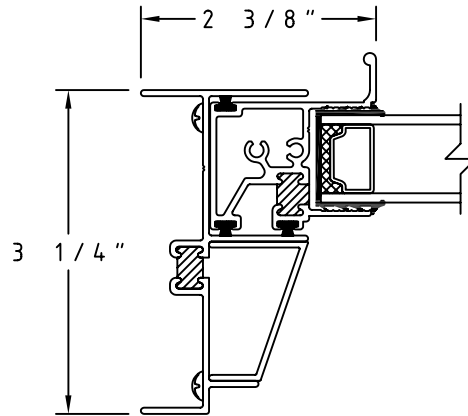
① Head Detail



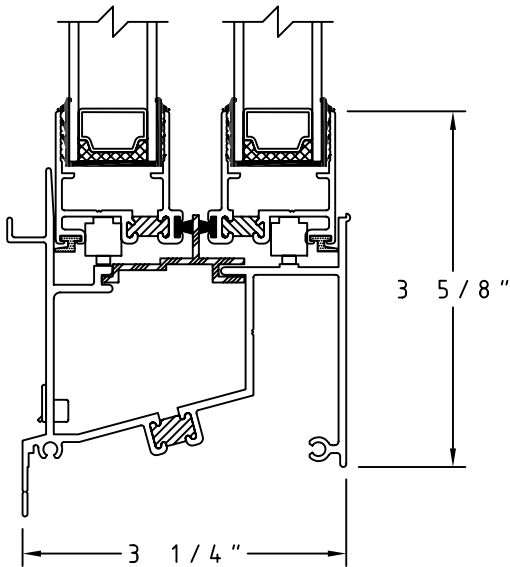
④ Right Jamb Detail



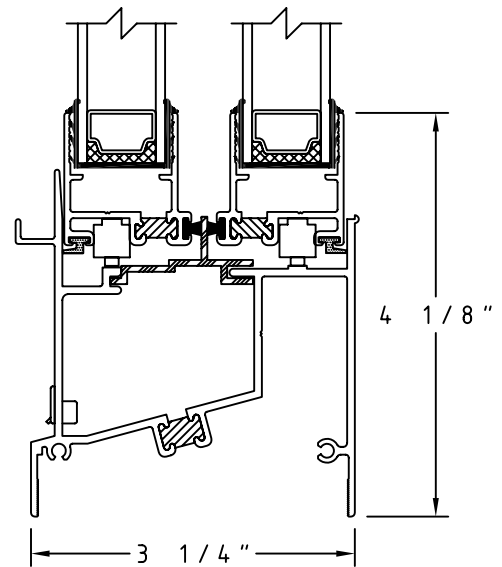
② Interlock Detail



⑤ Left Jamb Detail

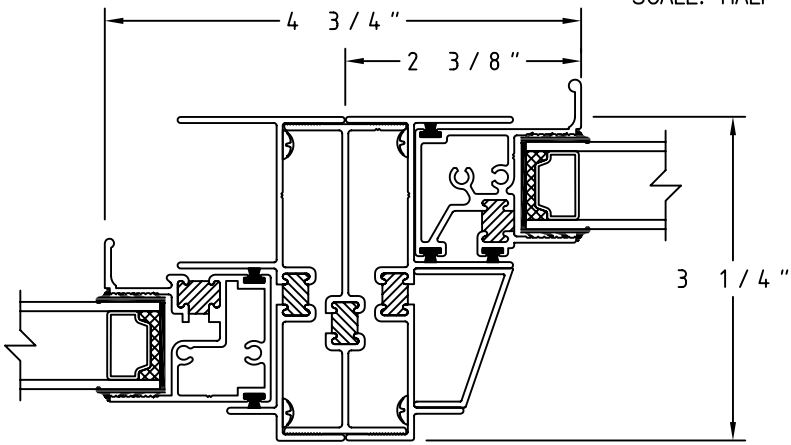


③ Sill Detail

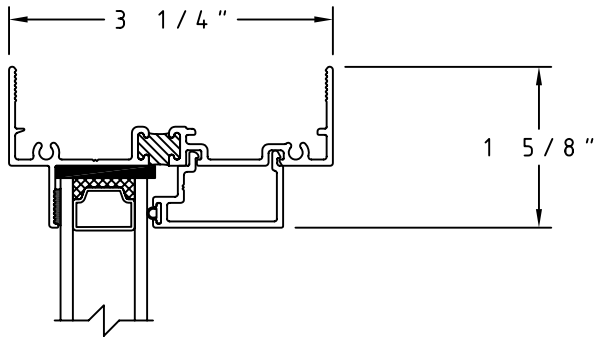


③A Equal Leg Sill Detail

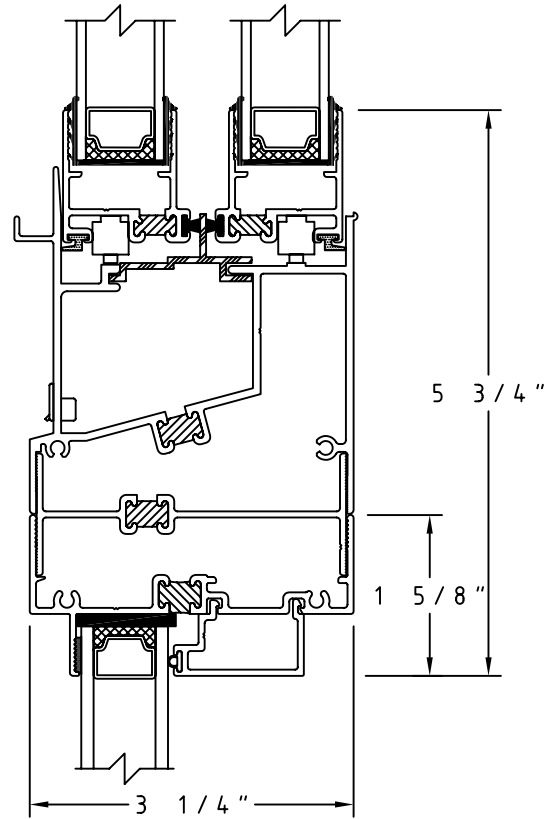
SCALE: HALF



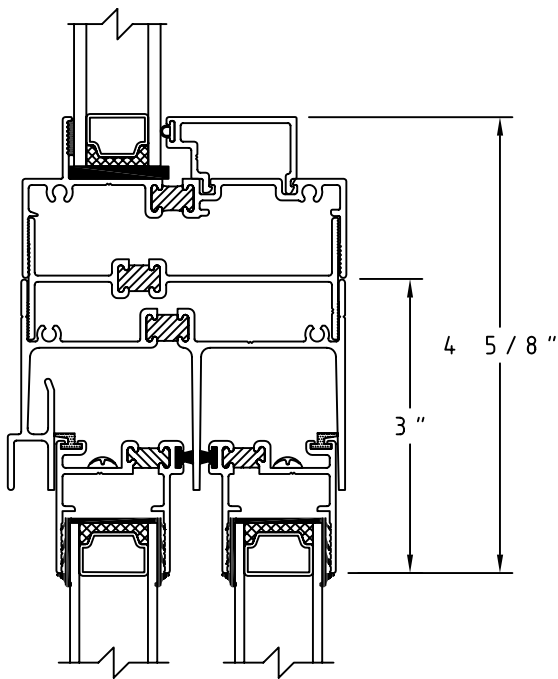
⑥ Horizontal Slider/Horizontal Slider Vertical H Mullion Detail



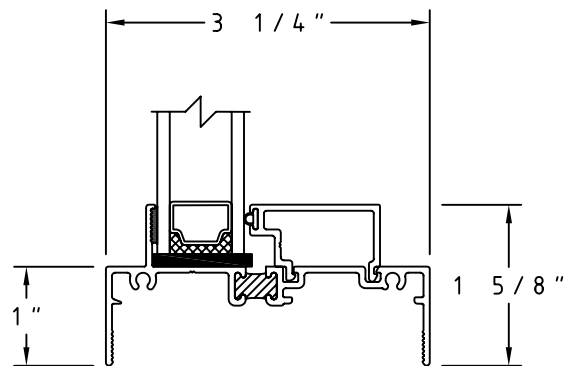
⑦ Fixed Head/Jamb Detail



⑨ Horizontal Slider Over Fixed with "H" Mullion Detail

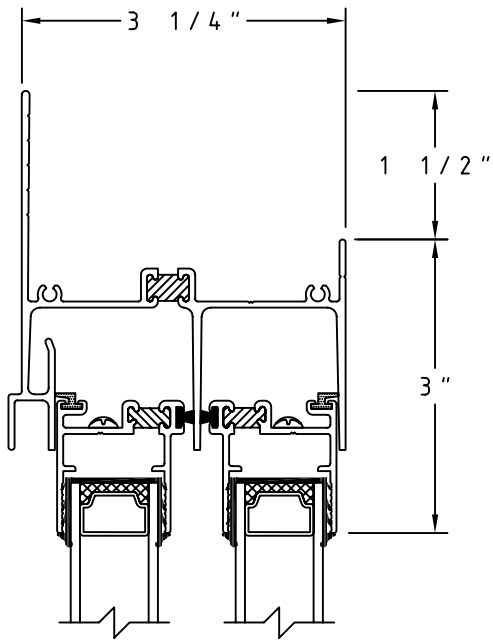


⑧ Fixed Over Horizontal Slider with "H" Mullion Detail

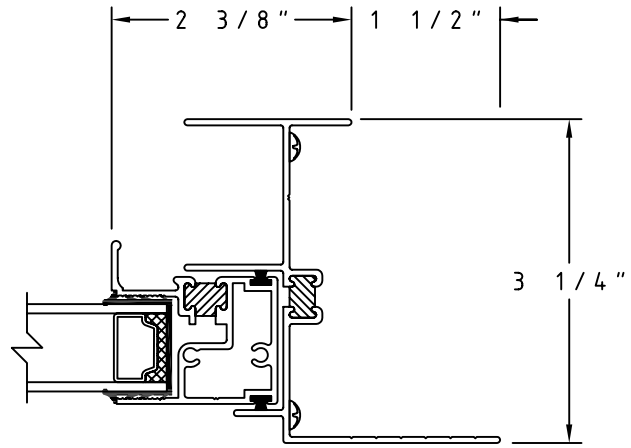


⑩ Equal Leg Fixed Sill Detail

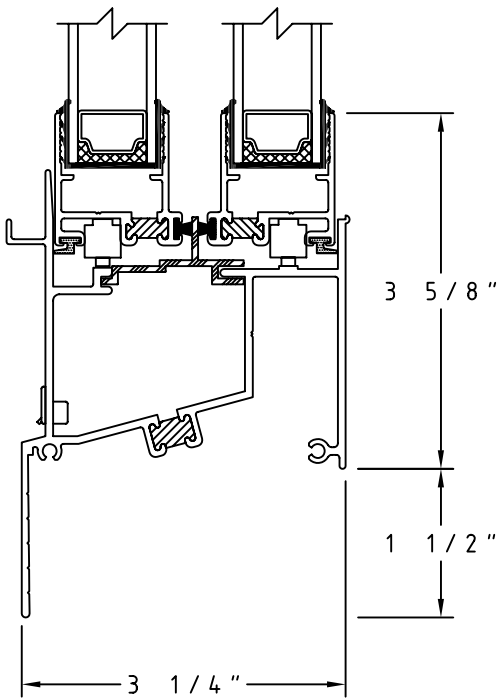
SCALE: HALF



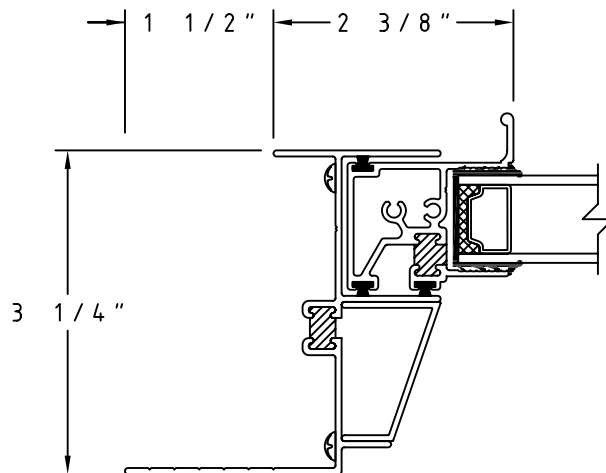
1A 1 1/2" Flange Frame Head Detail



4A 1 1/2" Right Flange Jamb Detail

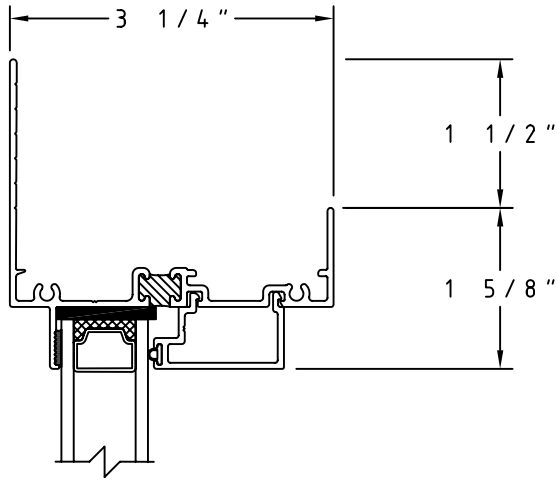


3B 1 1/2" Flange Frame Sill Detail

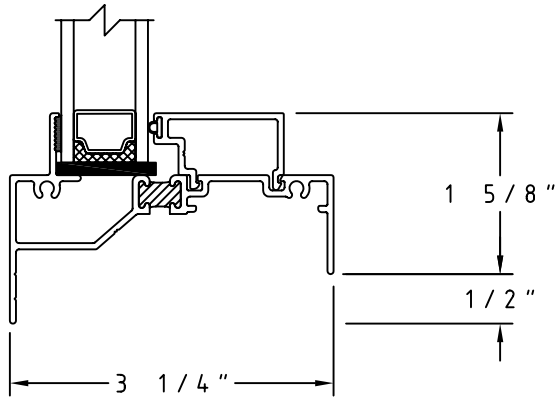


5A 1 1/2" Left Flange Jamb Detail

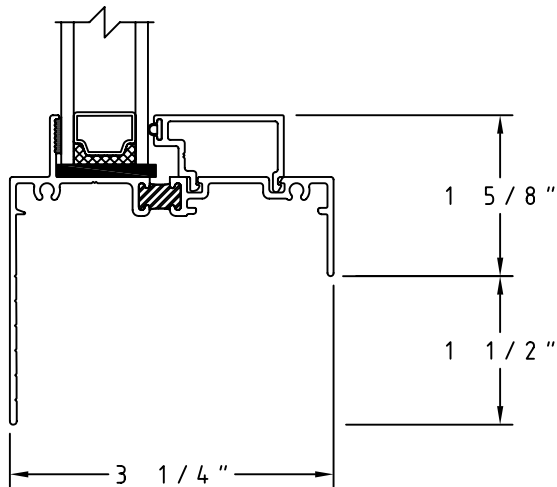
SCALE: HALF



7A 1 1/2" Flange Fixed Head/Jamb Detail



10A 1/2" Flange Fixed Sill Detail



10B 1 1/2" Flange Fixed Sill Detail