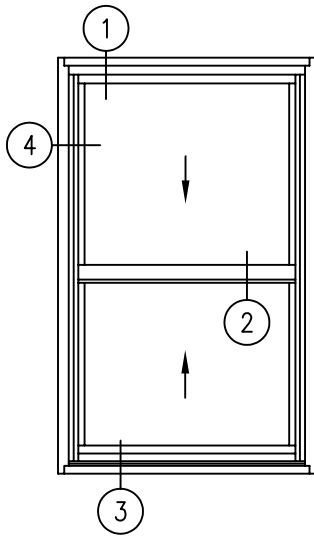
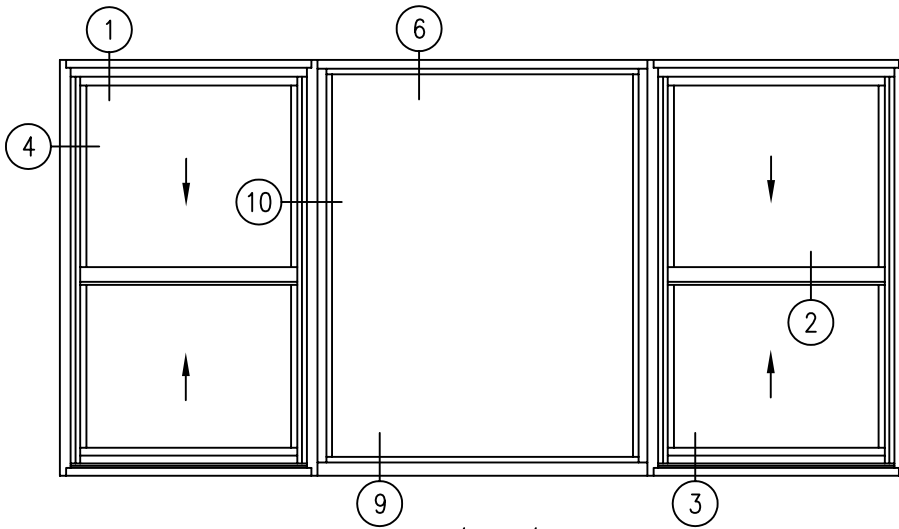
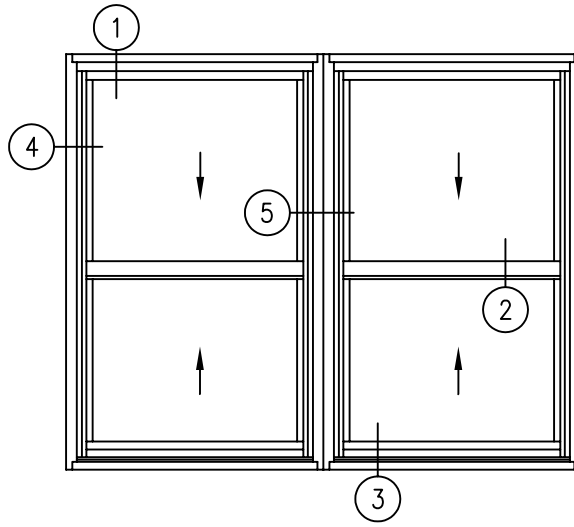


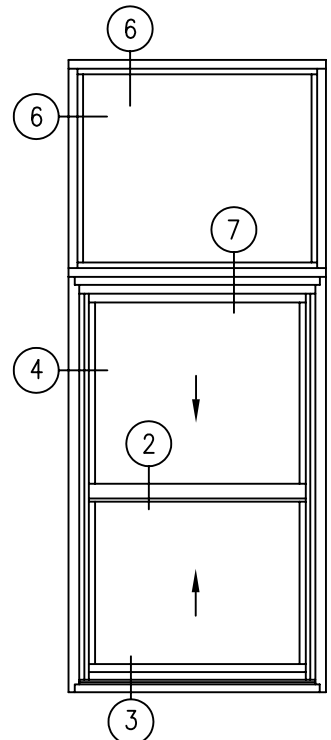
SCALE: NONE



Single Double Hung

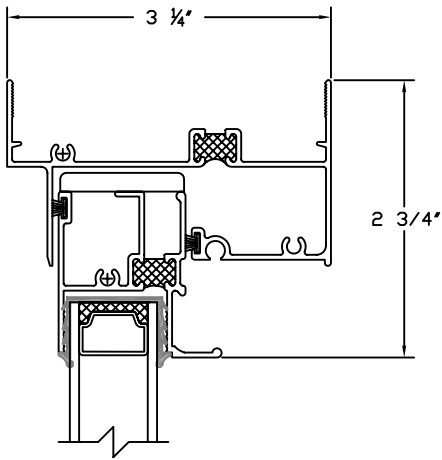


Double Hung/Fixed/Double Hung

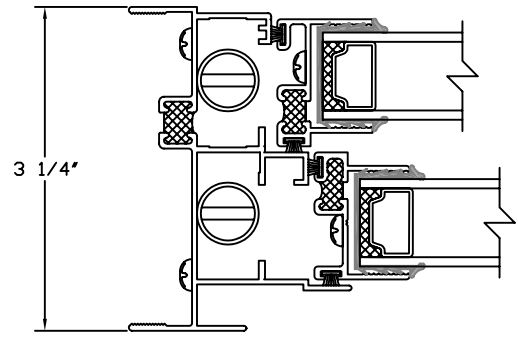


Fixed/Double Hung

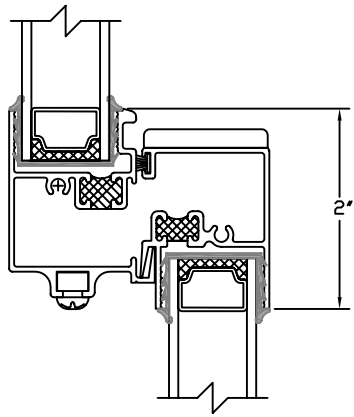
SCALE: HALF



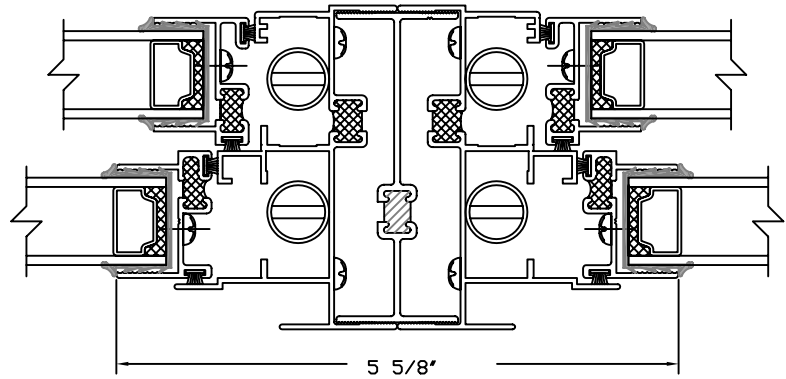
① Head Detail



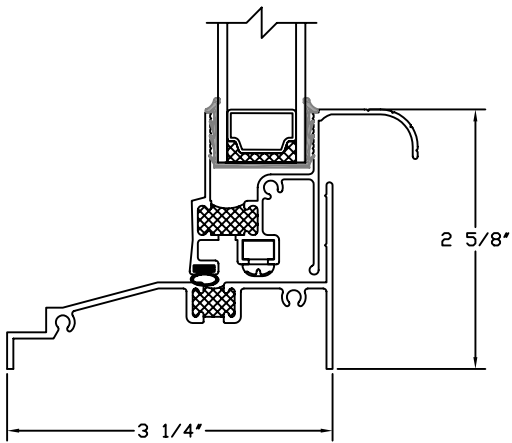
④ Jamb Detail



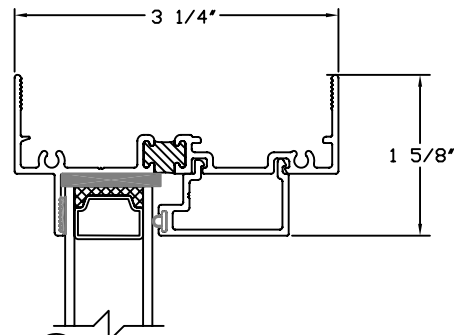
② Meeting Rail Detail



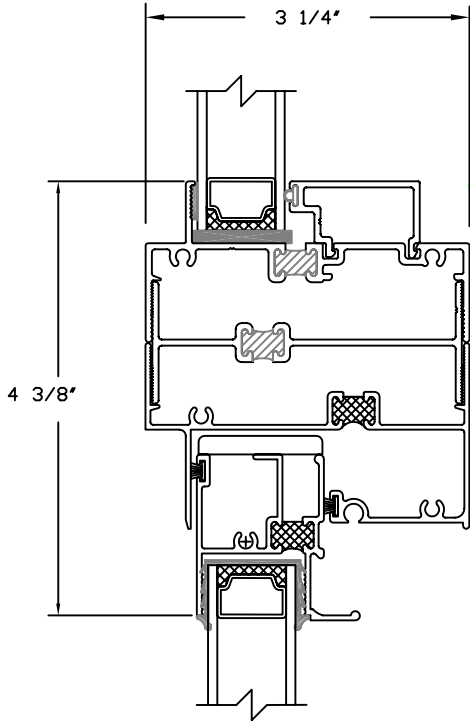
⑤ Vertical H Mullion Detail



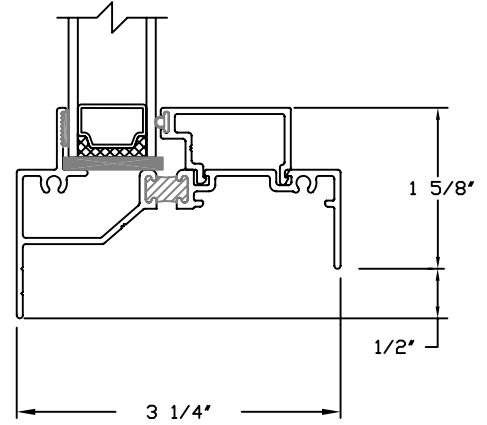
③ Sill Detail



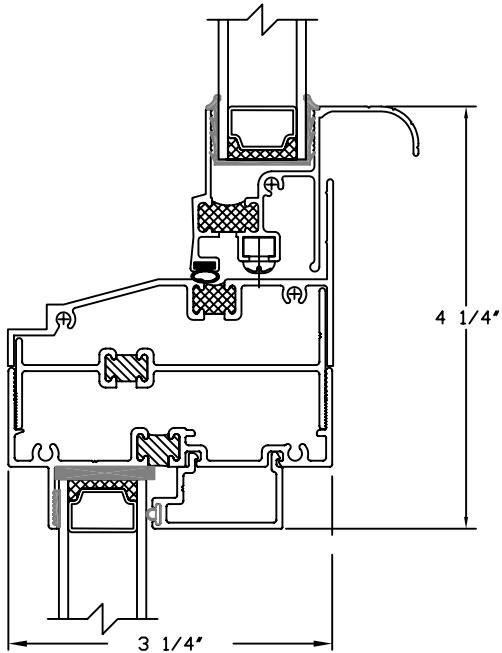
⑥ Fixed Head/Jamb Detail



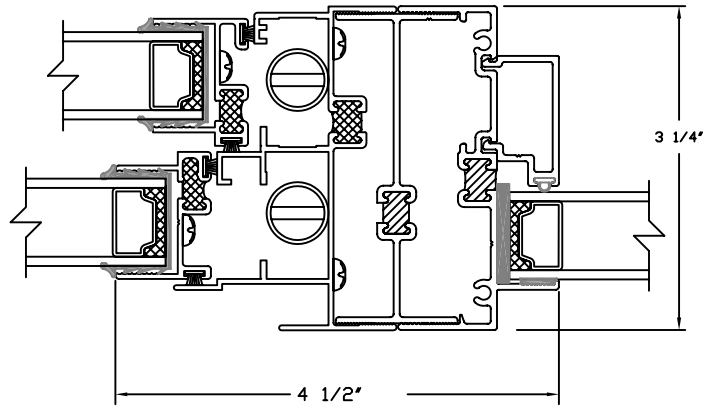
7 Fixed Over Double Hung With H Mullion Detail



9 Fixed Sill Detail



8 Double Hung Over Fixed Detail



10 Double Hung/Fixed With H Mullion Detail