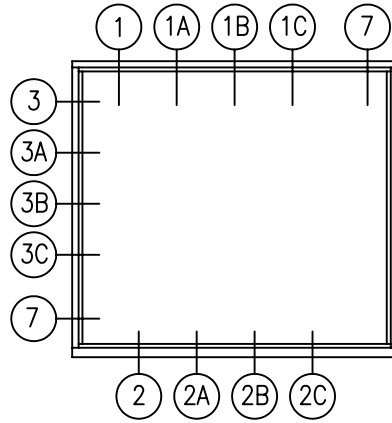
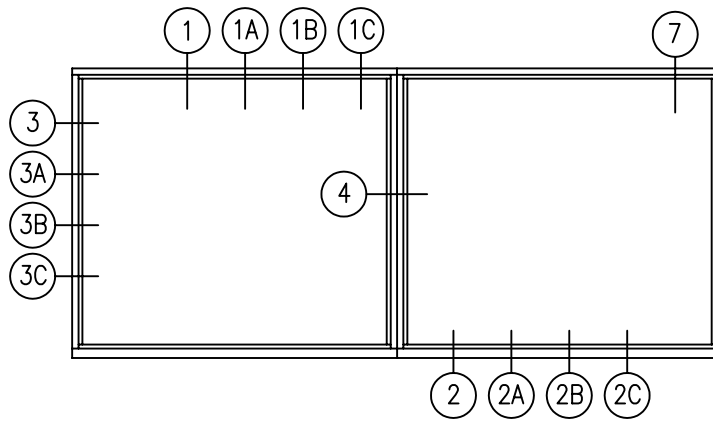


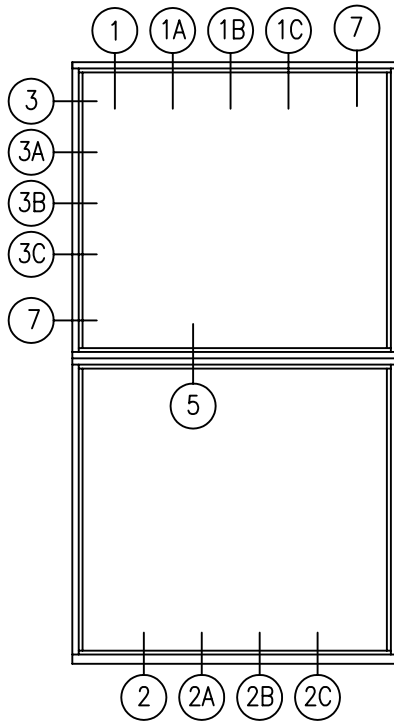
SCALE: NONE



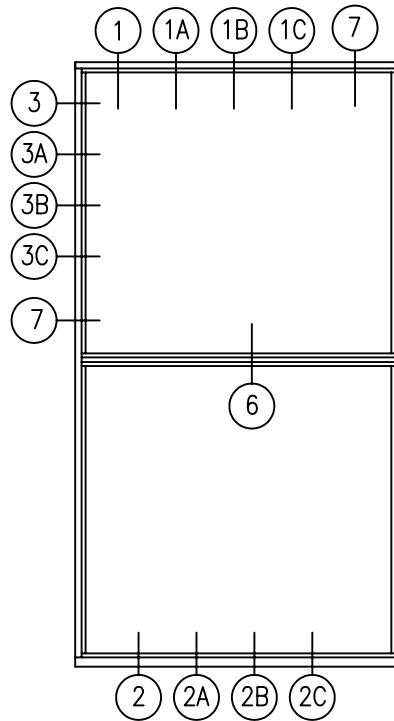
Fixed



Fixed/Fixed



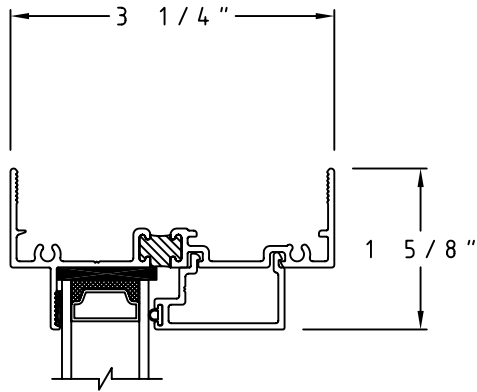
Fixed Over Fixed



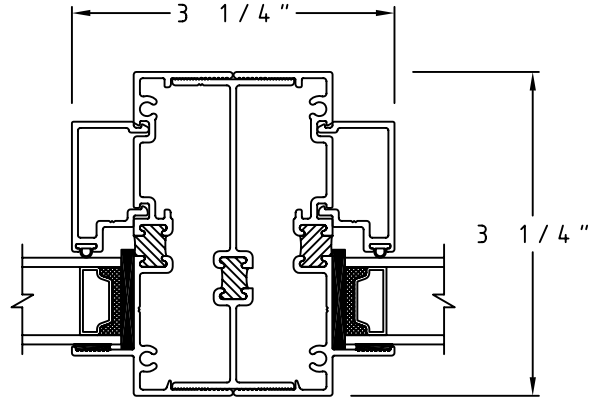
Fixed Over Fixed

All Elevations are viewed outside looking IN.

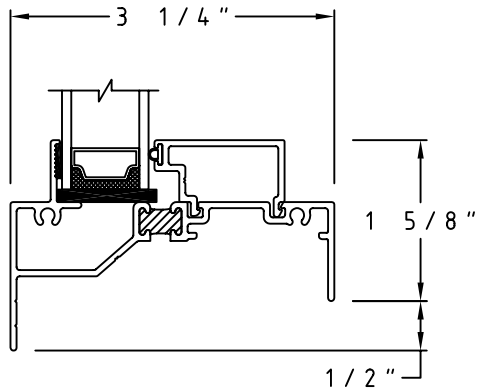
SCALE: HALF



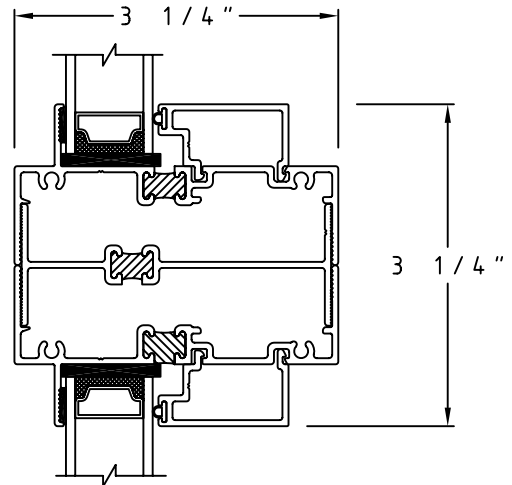
① Head Detail



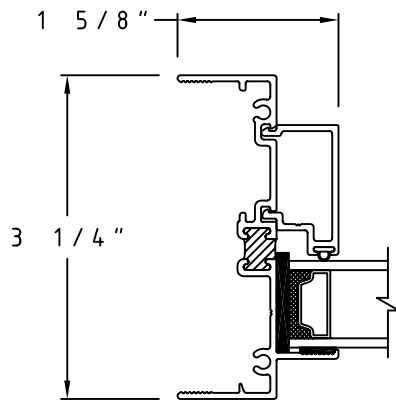
④ Fixed/Fixed Jamb Detail



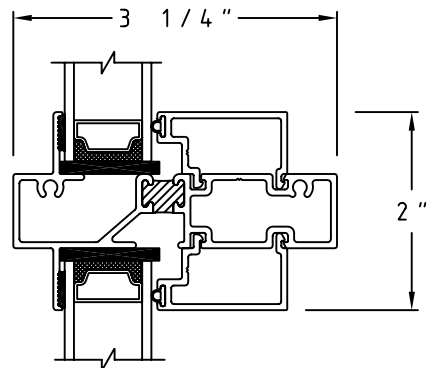
② Sill Detail



⑤ Fixed Over Fixed With H Mullion Detail

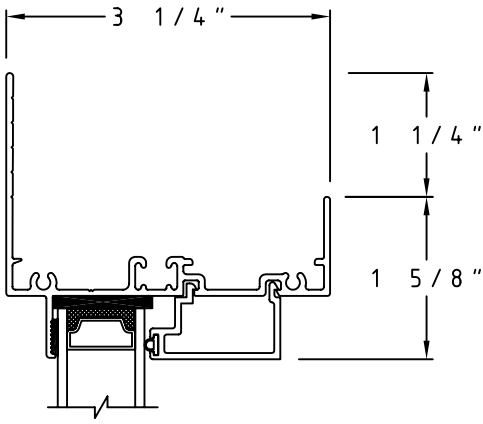


③ Jamb Detail

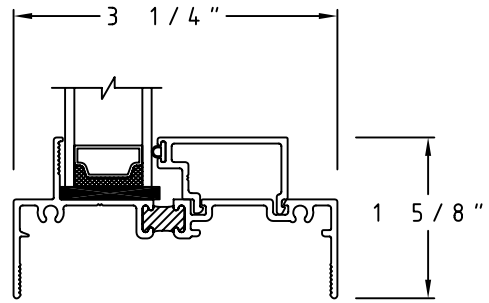


⑥ Fixed Over Fixed With Continuous Frame Detail

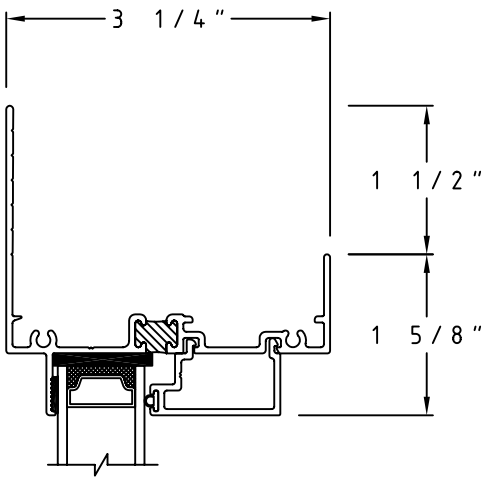
SCALE: HALF



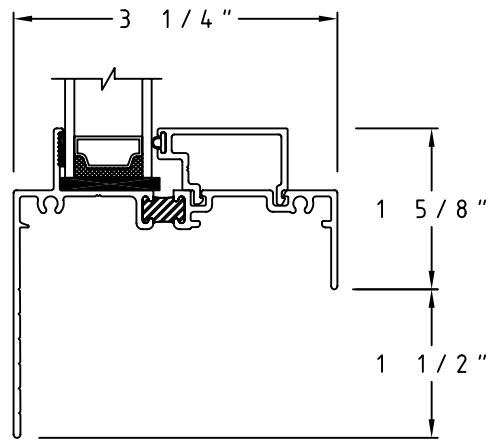
①A 1 1/4" Flange Frame Head Detail



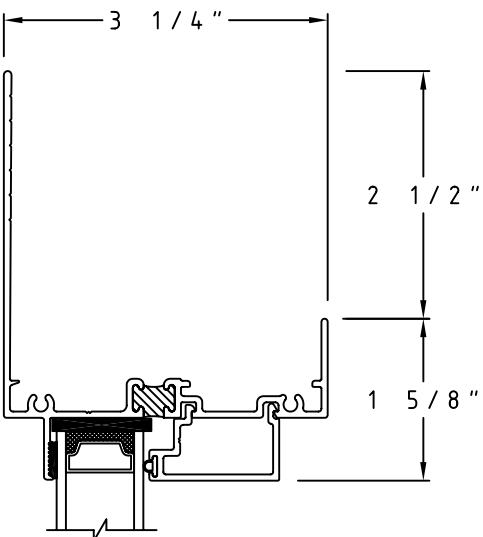
②A Equal Leg Sill Detail



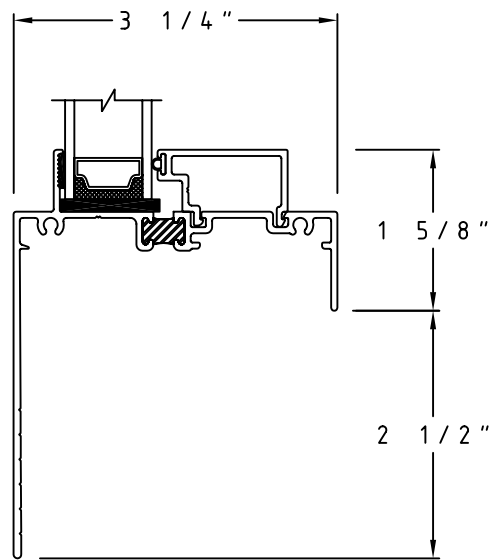
①B 1 1/2" Flange Frame Head Detail



②B 1 1/2" Flange Frame Sill Detail

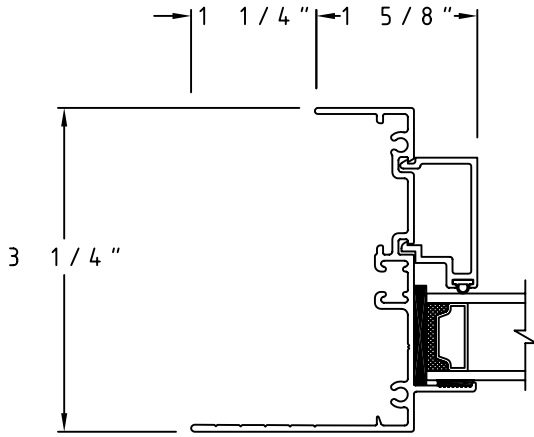


①C 2 1/2" Flange Frame Head Detail

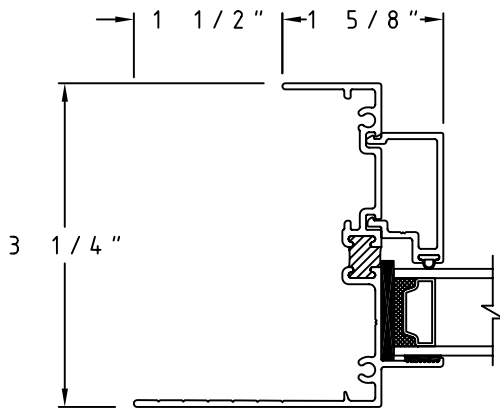


②C 2 1/2" Flange Frame Sill Detail

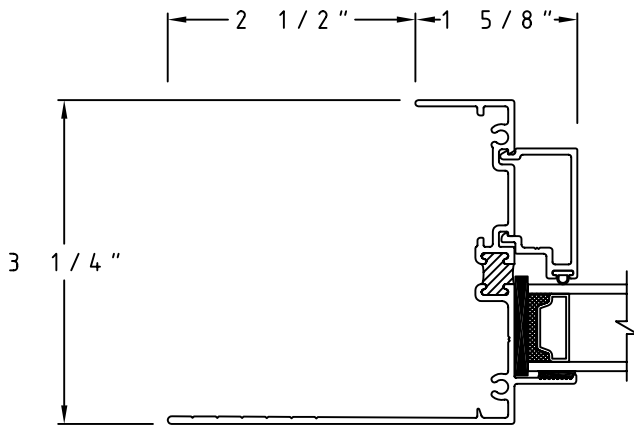
SCALE: HALF



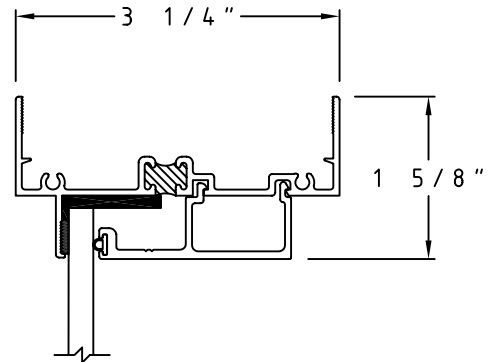
3A 1 1/4" Flange Frame Jamb Detail



3B 1 1/2" Flange Frame Jamb Detail



3C 2 1/2" Flange Frame Jamb Detail



7 Jamb/Head Detail with Optional 1/4" Glazing