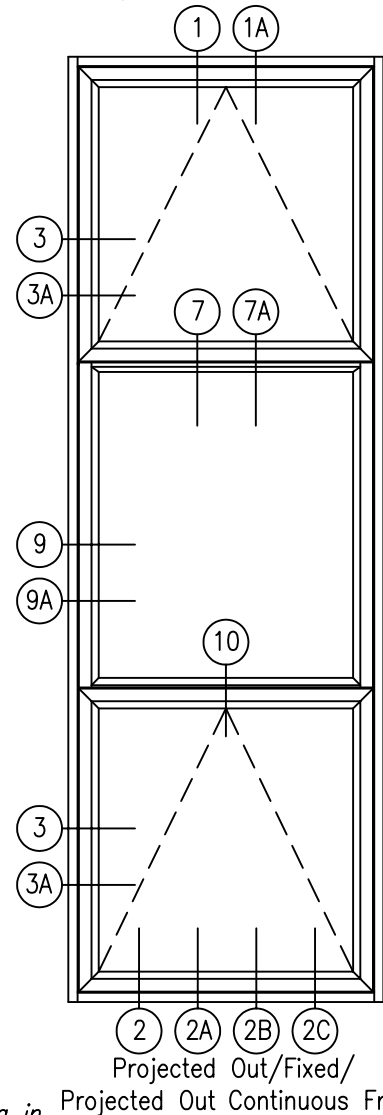
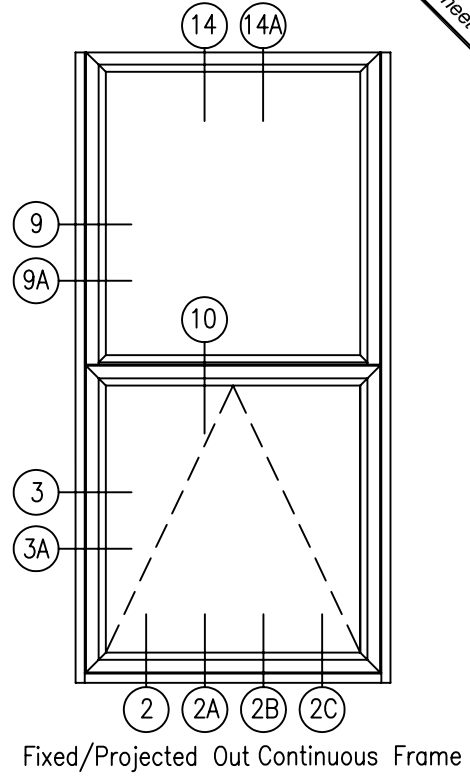
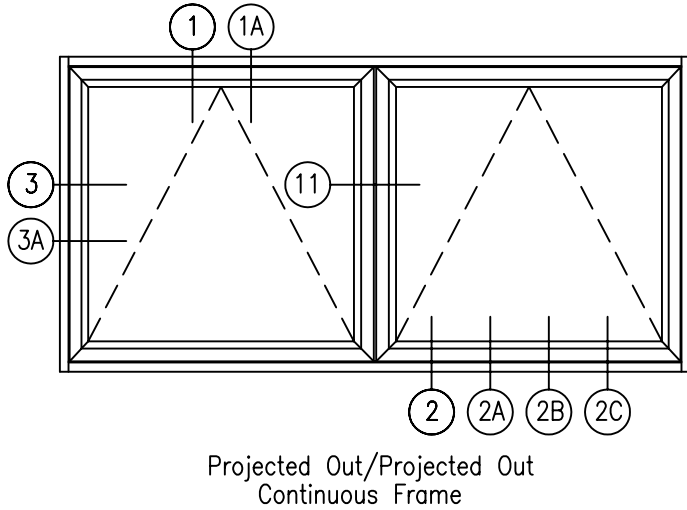
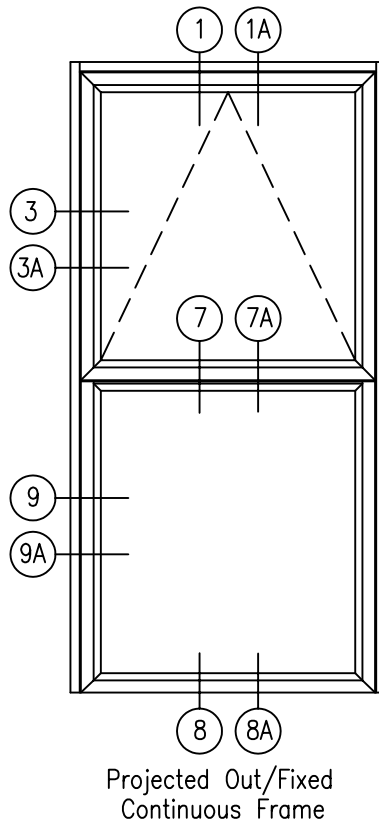
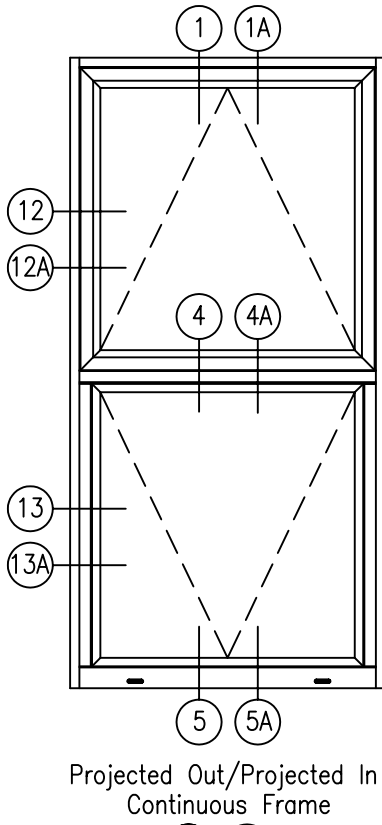
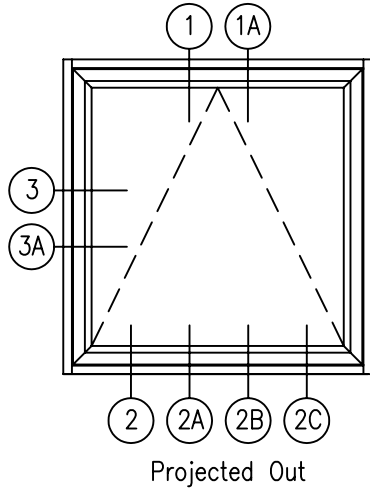
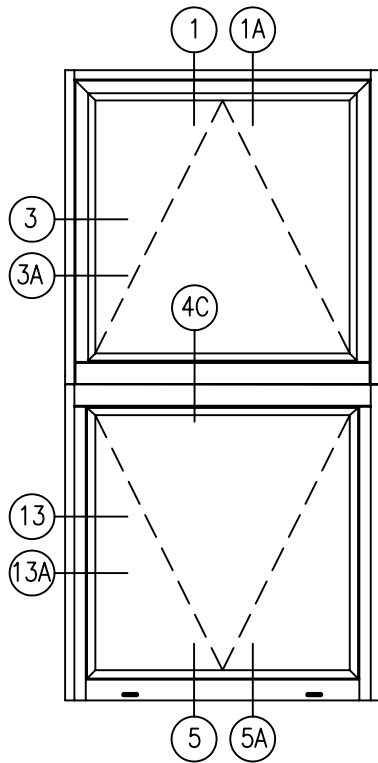


SCALE: NONE

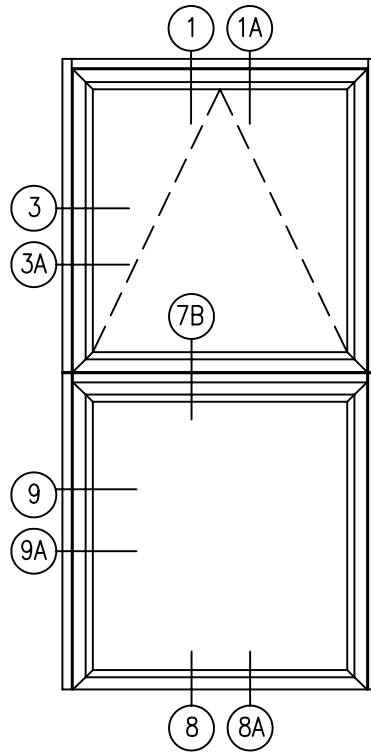


All Elevations are viewed outside looking in.

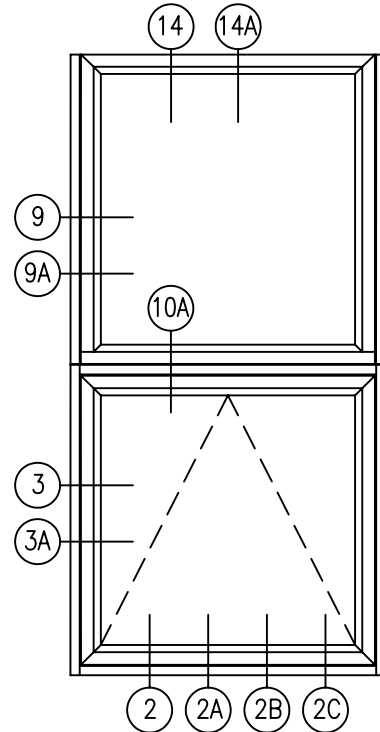
SCALE: NONE



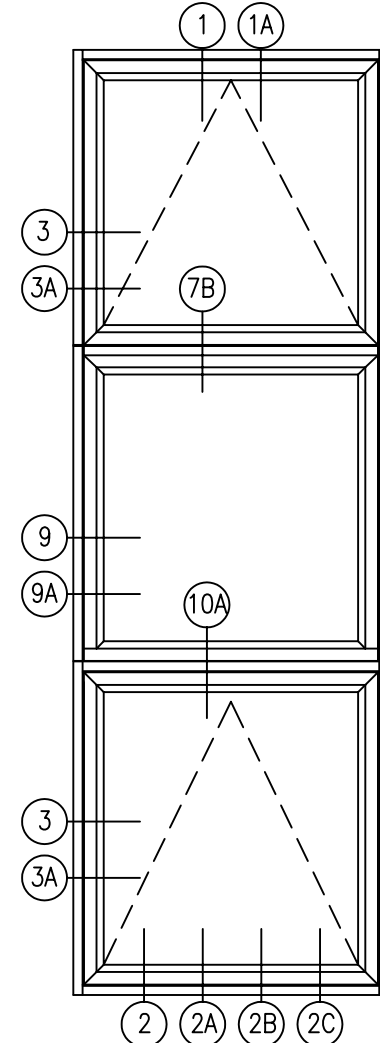
Projected Out/Projected In  
w/ H Mullion



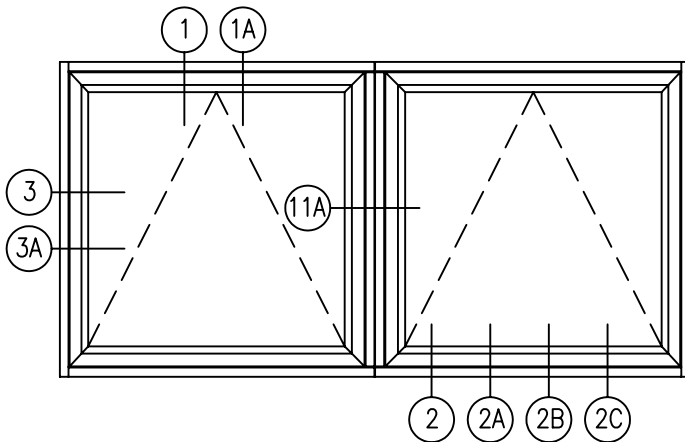
Projected Out/Fixed  
w/ H Mullion



Fixed/Projected Out w/ H Mullion



Projected Out/Fixed/Projected Out  
w/ H Mullion



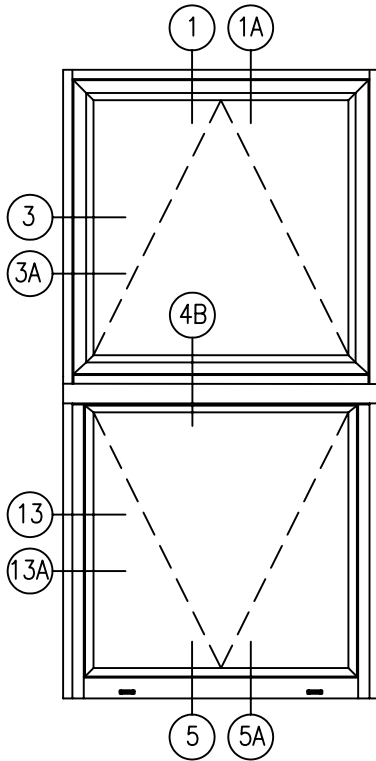
Projected Out/Projected Out  
w/ H Mullion

All Elevations are viewed outside looking in.

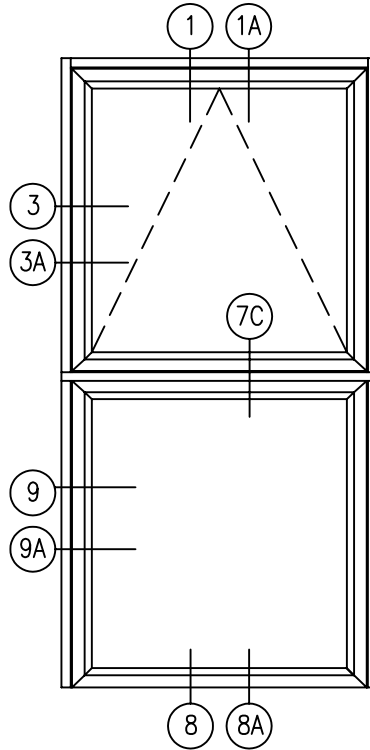
# Champion Series 4100

Sheet 3 of 11

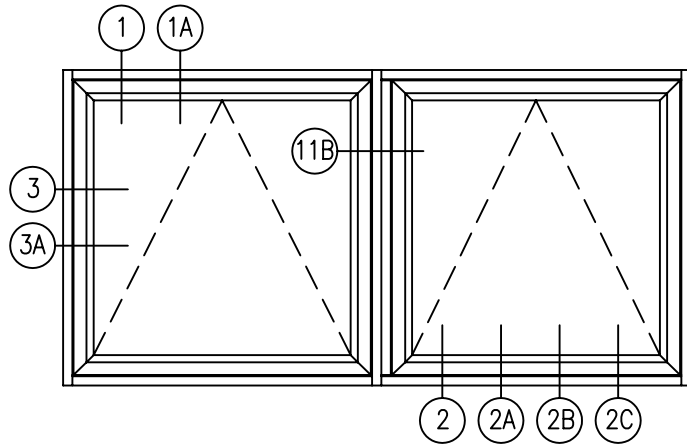
SCALE: NONE



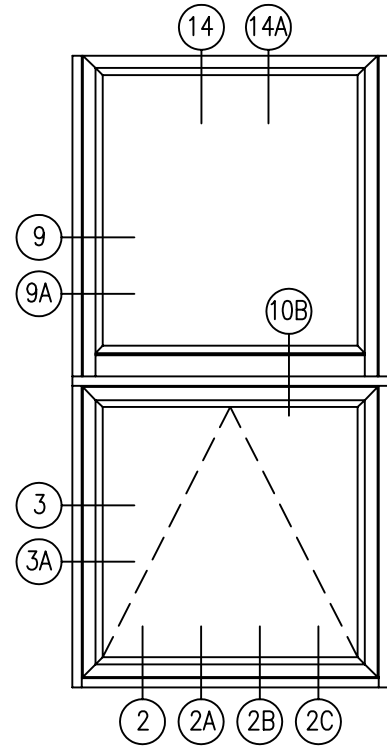
Projected Out/Projected In  
w/ Male-Female Mullion



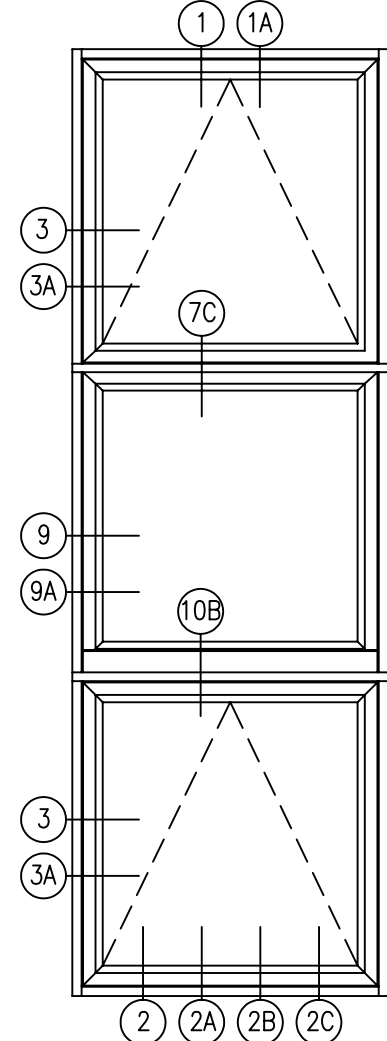
Projected Out/Fixed  
w/ Male-Female Mullion



Projected Out/Projected Out  
w/ Male-Female Mullion



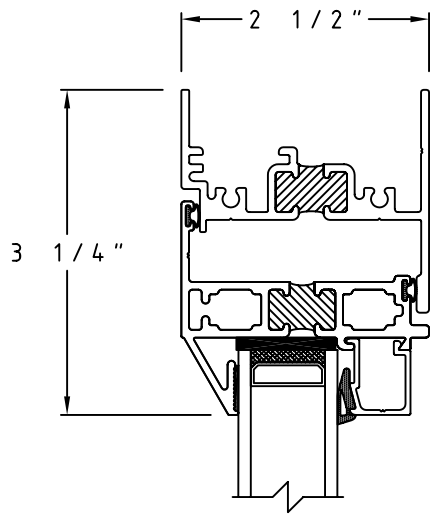
Fixed/Projected Out w/ Male-Female Mullion



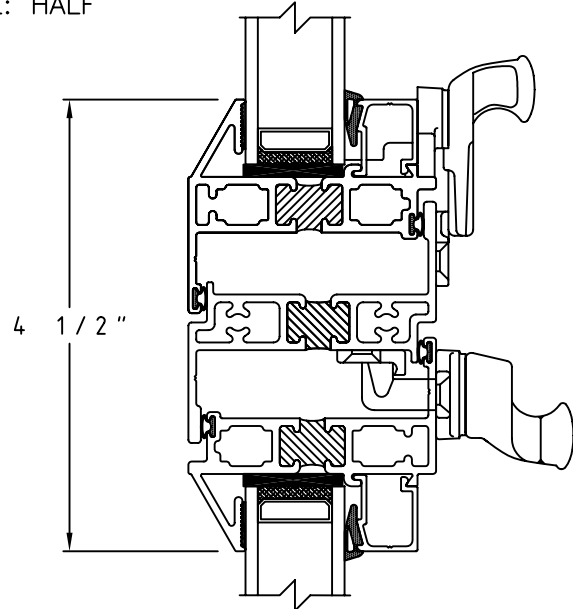
Projected Out/Fixed/Projected Out  
w/ Male-Female Mullion

Champion Series 4100

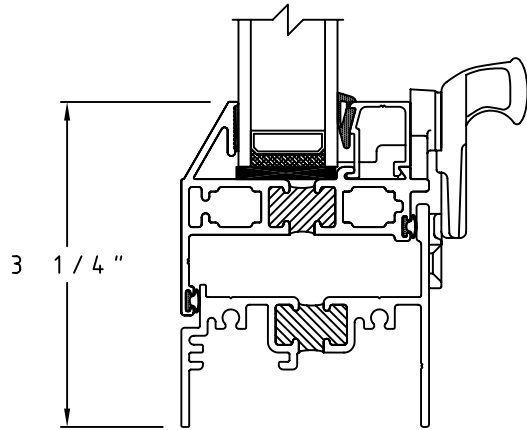
SCALE: HALF



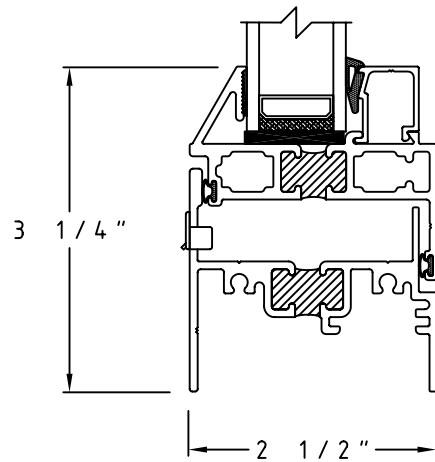
① Head Detail



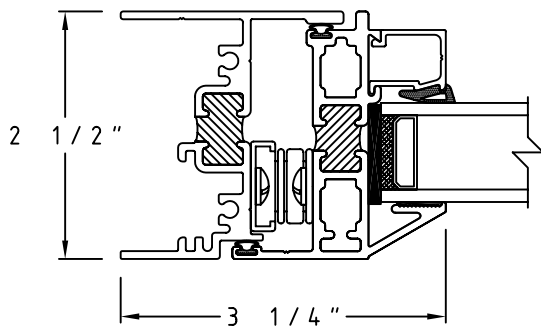
④ Projected Out/Projected In Mullion Detail



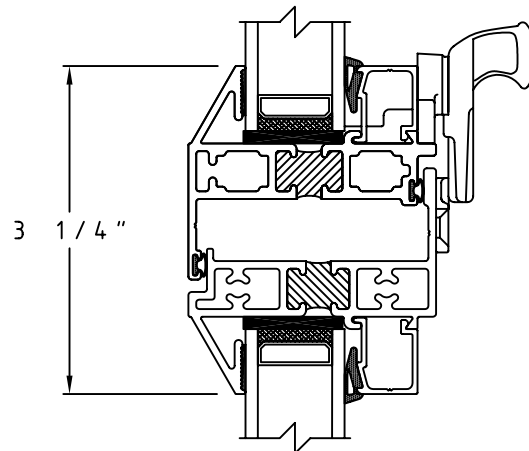
② Sill Detail



⑤ Projected In Sill Detail

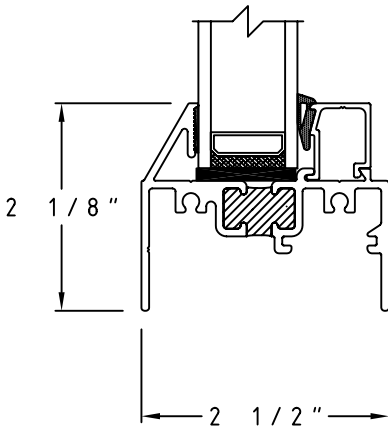


③ Jamb Detail

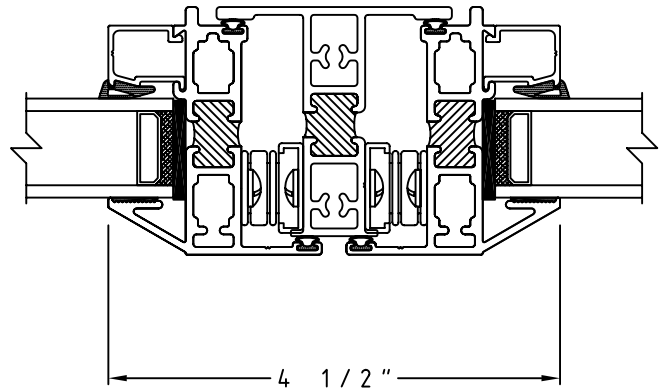


⑦ Projected Out/Fixed Detail

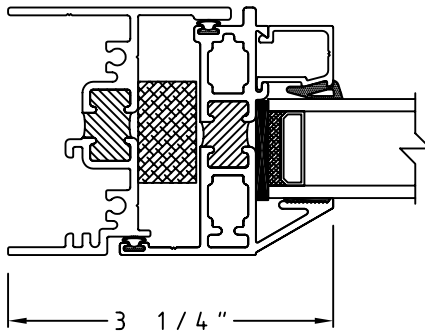
SCALE: HALF



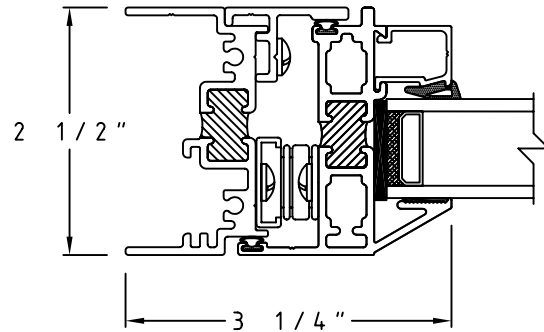
8 Fixed Sill Detail



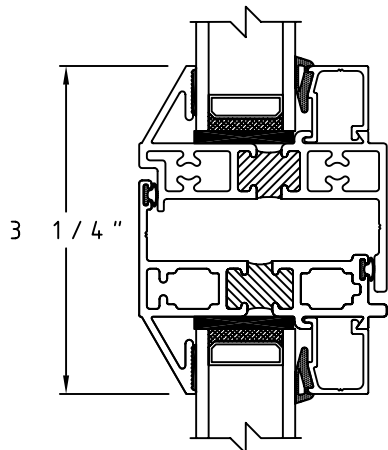
11 Projected Out/Projected Out Mullion Detail



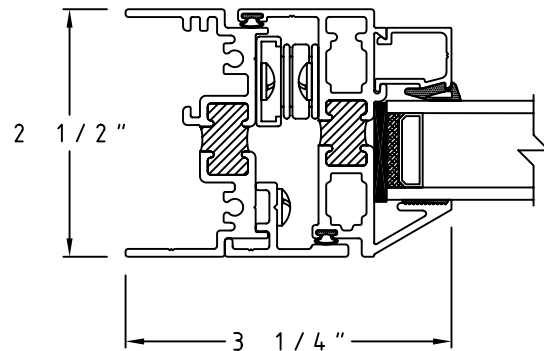
9 Fixed Jamb Detail



12 Projected Out Jamb Detail

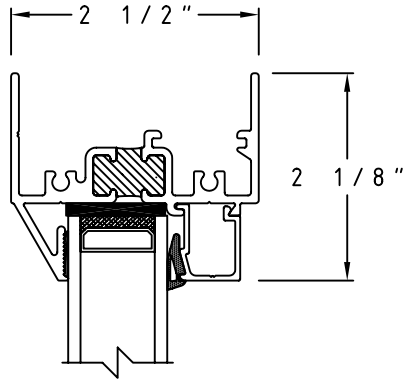


10 Fixed/Projected Out Mullion Detail

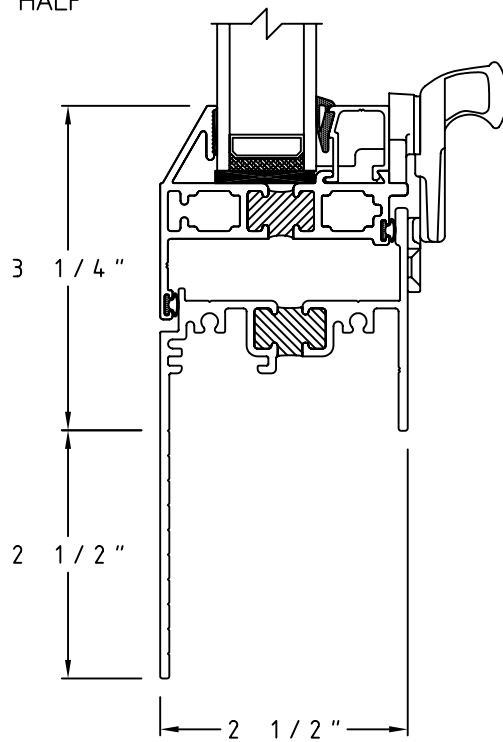


13 Projected In Jamb Detail

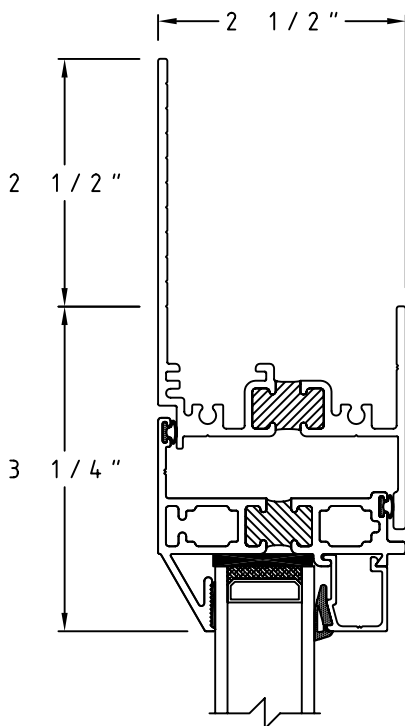
SCALE: HALF



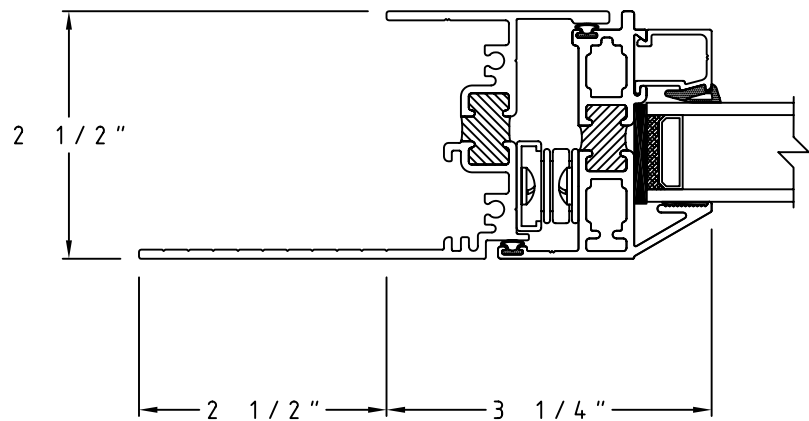
⑭ Fixed Head



②A 2 1/2" Flange Sill Detail

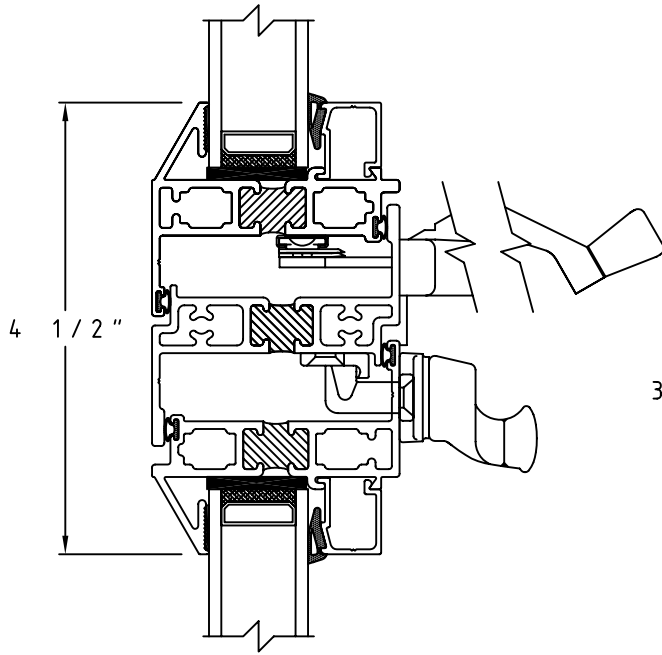


①A 2 1/2" Flange Head Detail

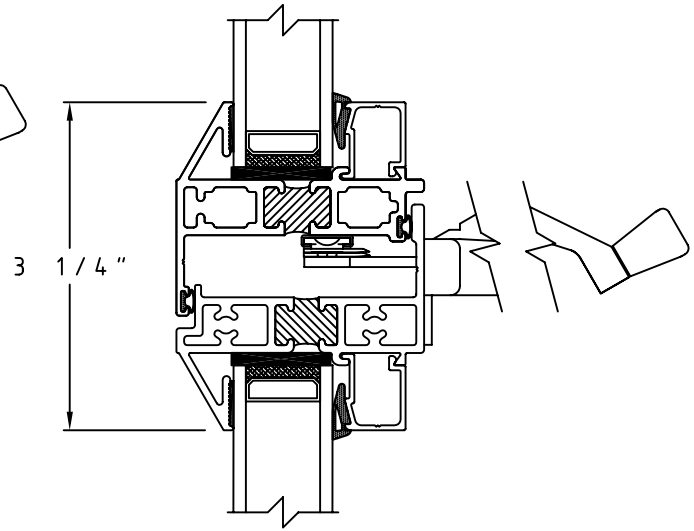


③A 2 1/2" Flange Jamb Detail

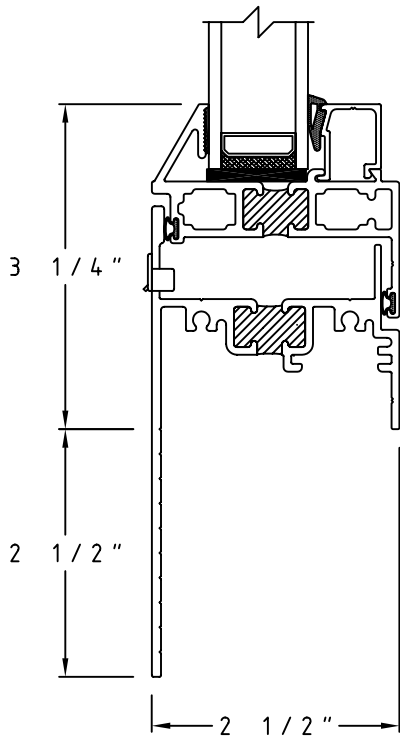
SCALE: HALF



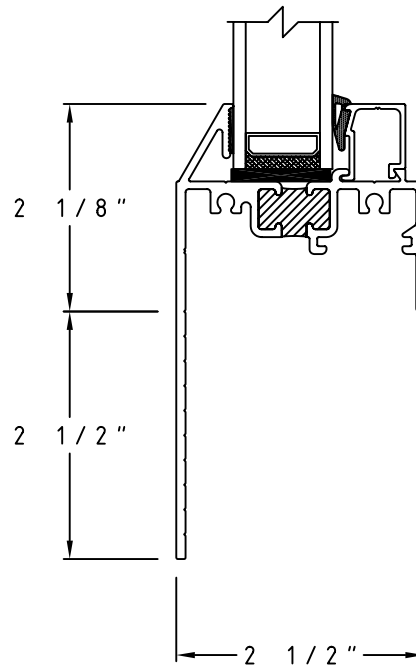
④A Projected Out/Projected In with Scissor Crank Detail



⑦A Projected Out/Fixed with Scissor Crank Detail

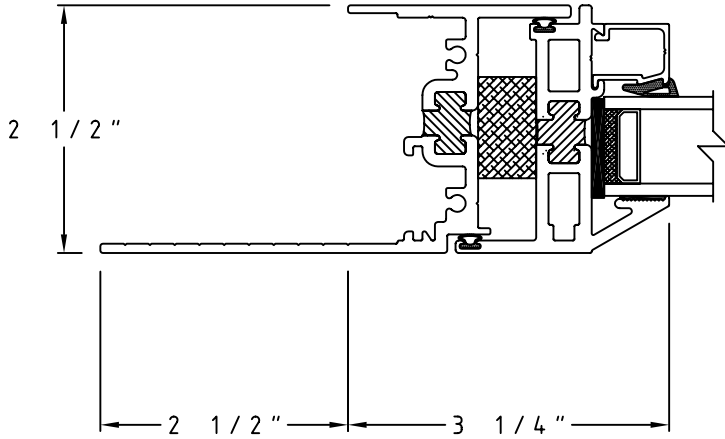


⑤A 2 1/2" Flange Sill Projected In Detail

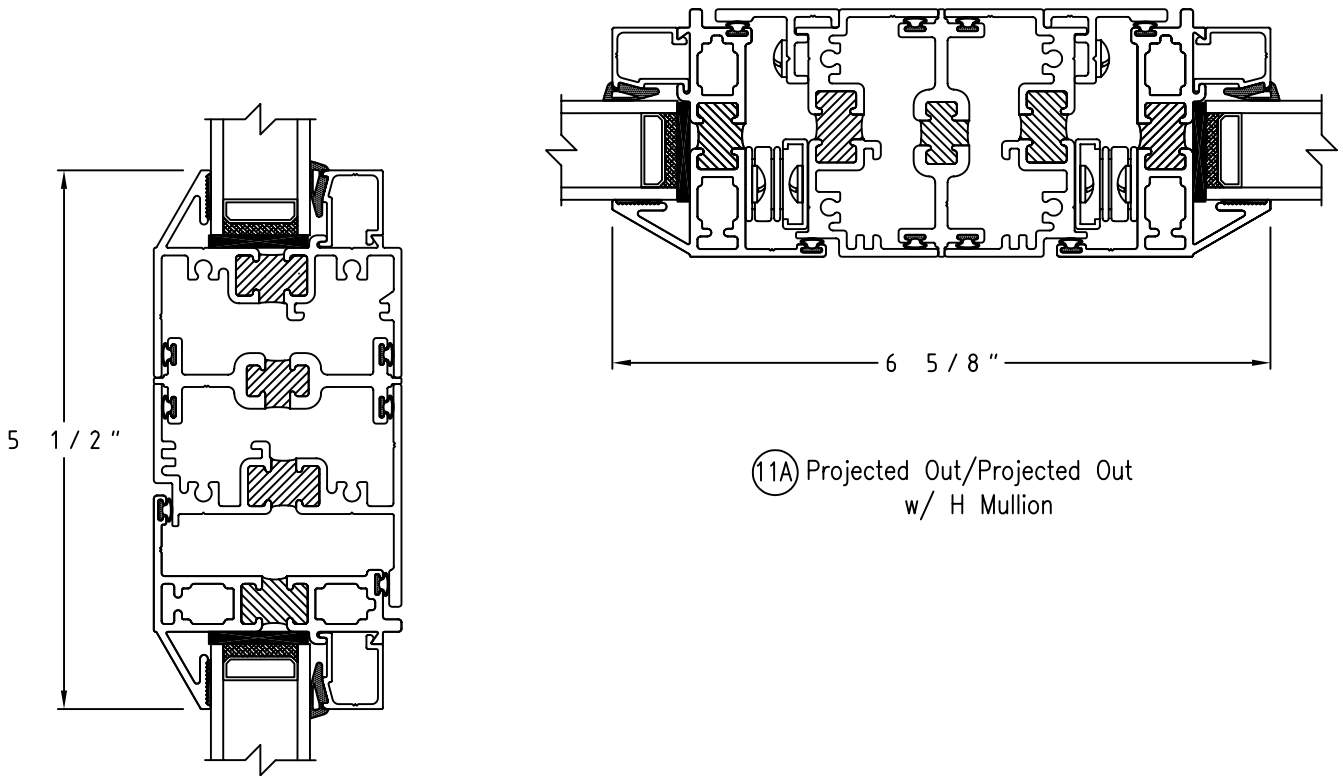


⑧A 2 1/2" Flange Fixed Sill Detail

SCALE: HALF



9A 2 1/2" Flange Fixed Jamb Detail

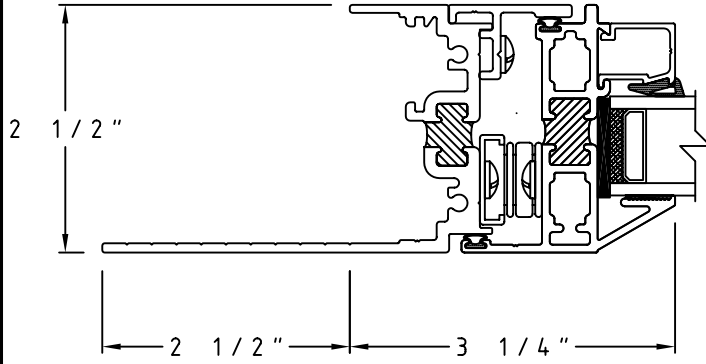


10A Fixed/Projected Out w/ H Mullion

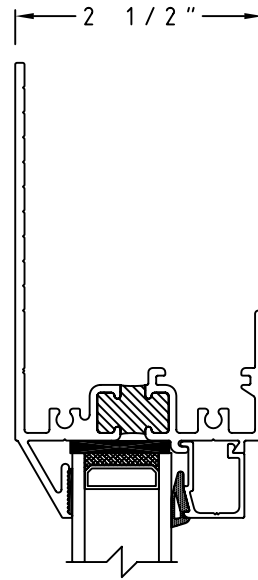
11A Projected Out/Projected Out w/ H Mullion



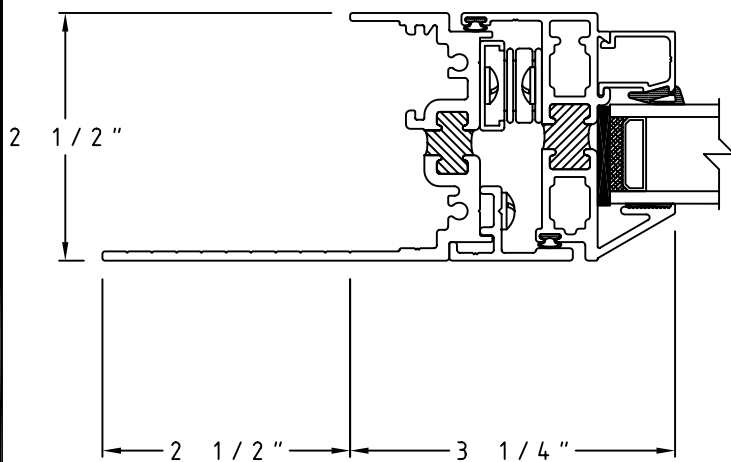
SCALE: HALF



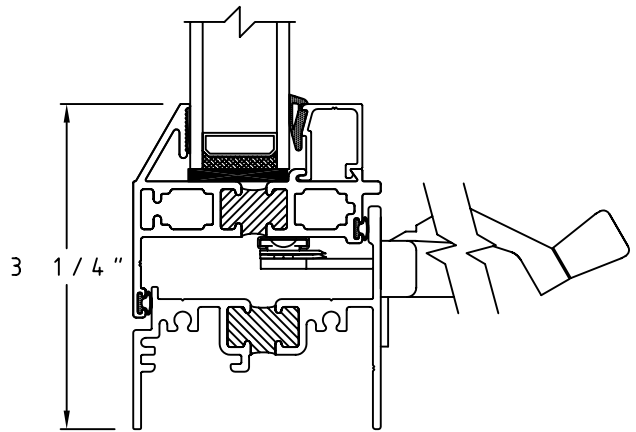
12A 2 1/2" Projected Out Flange Jamb Detail



14A 2 1/2" Fixed Flange Head

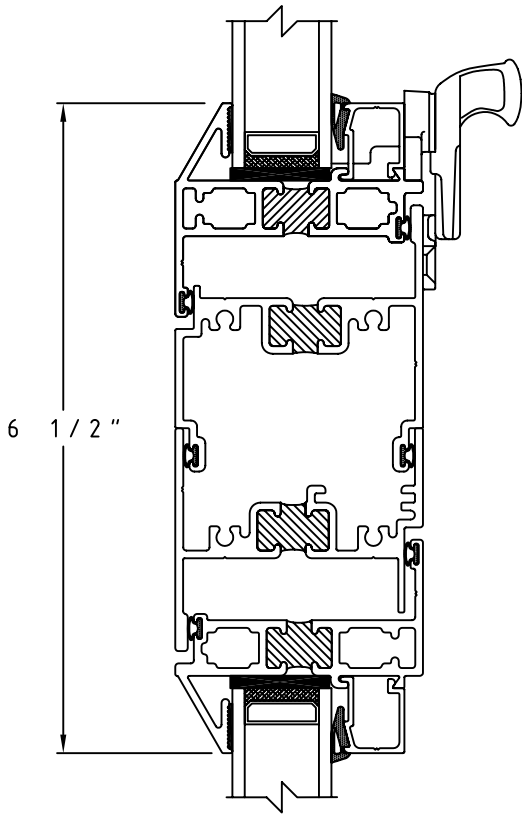


13A 2 1/2" Projected In Flange Jamb Detail

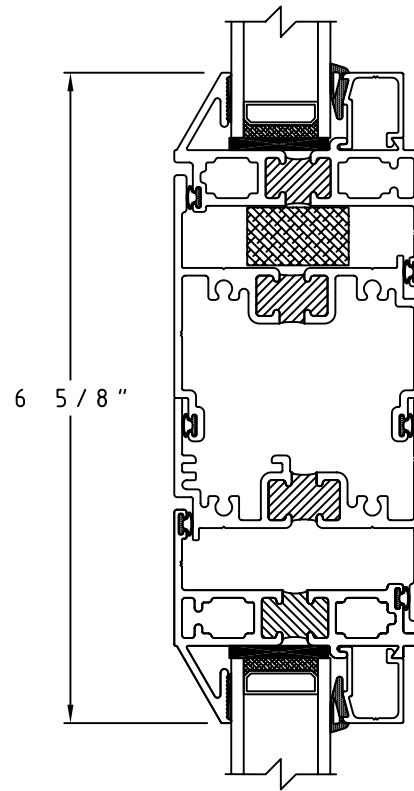


2B Sill with Scissor Crank Detail

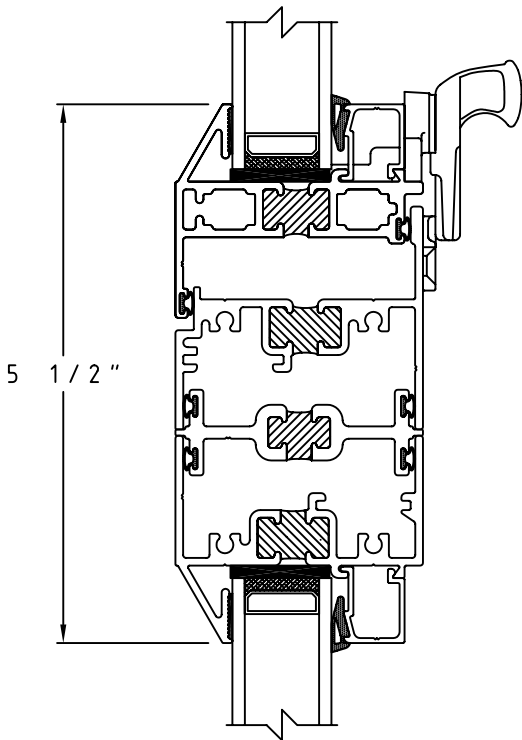
SCALE: HALF



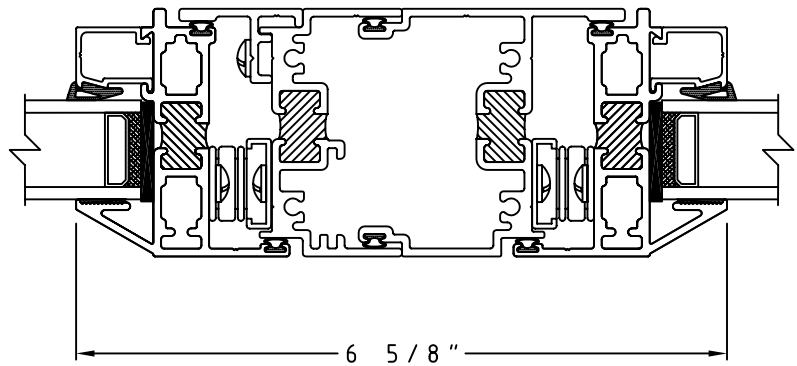
④B Projected Out/Projected In  
w/ Male-Female Mullion



⑩B Fixed/Projected Out  
w/ Male-Female Mullion

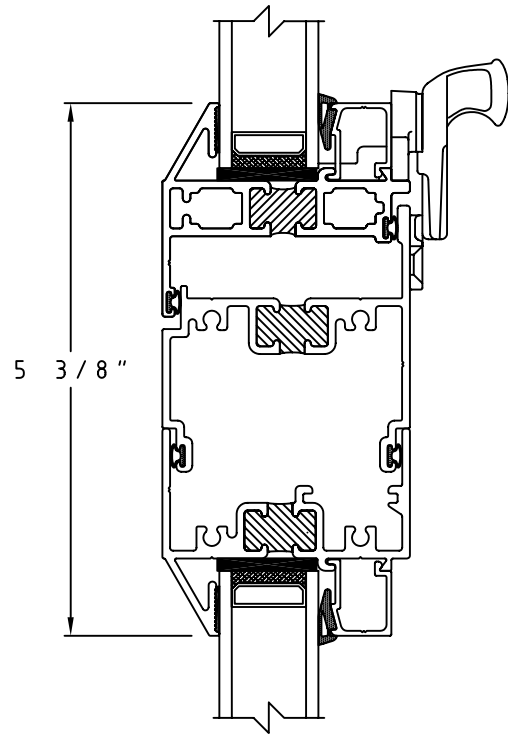
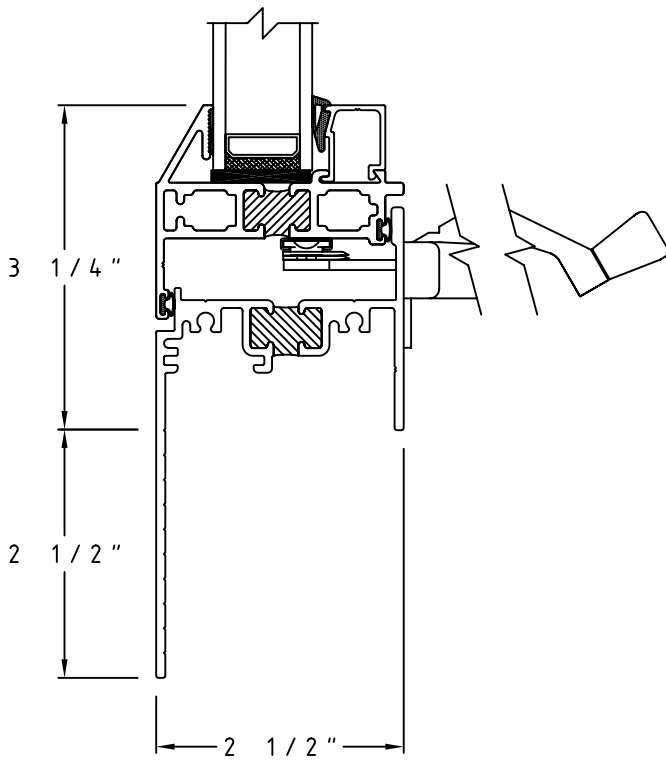


⑦B Projected Out/Fixed  
w/ H Mullion



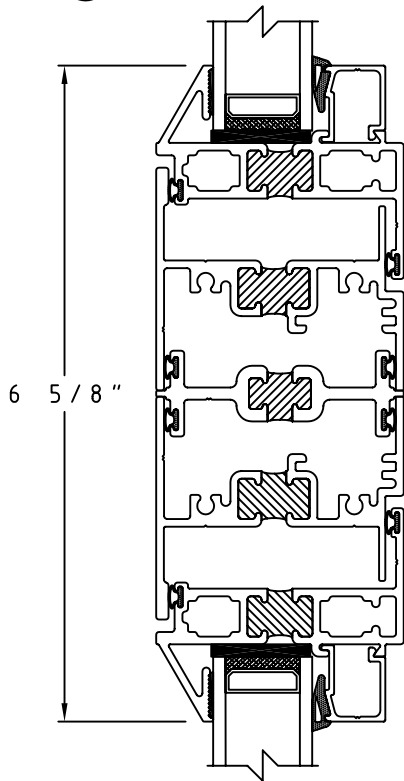
⑪B Projected Out/Projected Out with Male  
Female Mullion

SCALE: HALF



2C 2 1/2" Flange Sill with Scissor Crank Detail

7C Projected Out/Fixed w/ Male-Female Mullion



4C Projected Out/Projected In w/ H Mullion