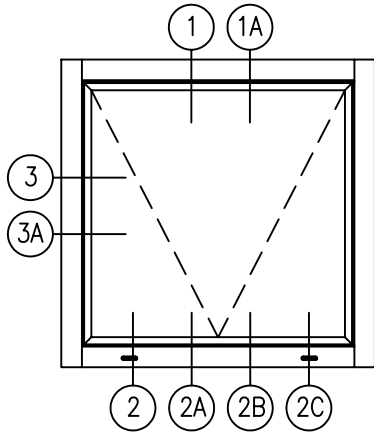
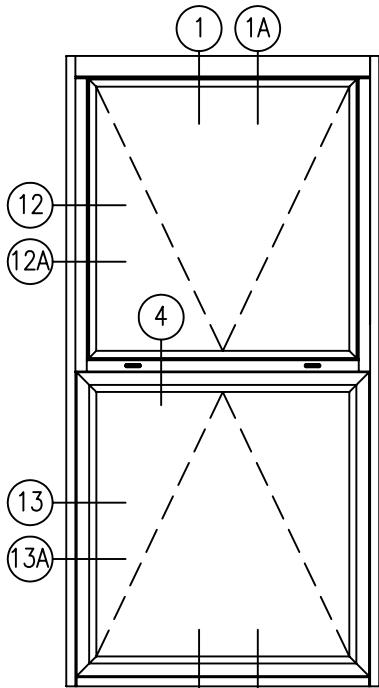


SCALE: NONE

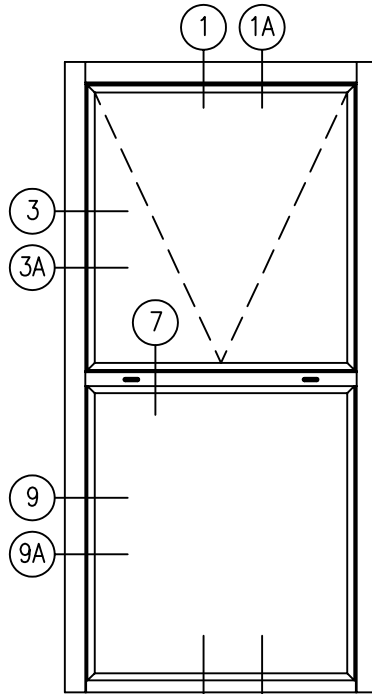
Other combinations available at request.



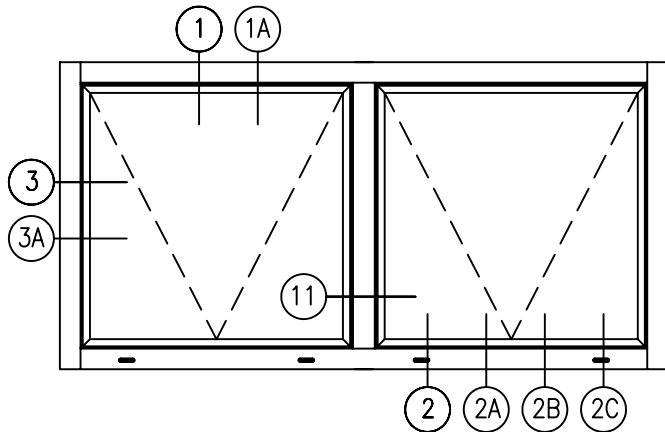
Projected In



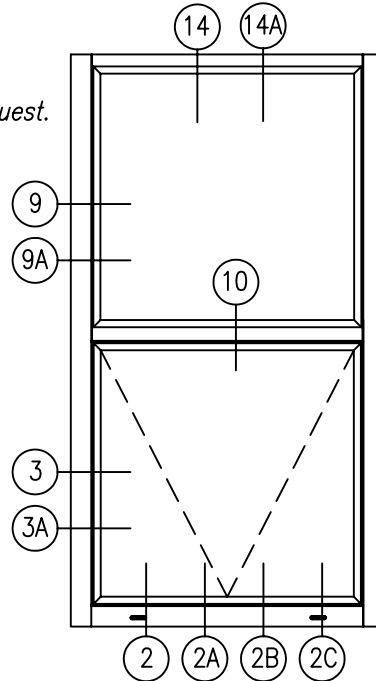
Projected In/Projected Out  
Continuous Frame



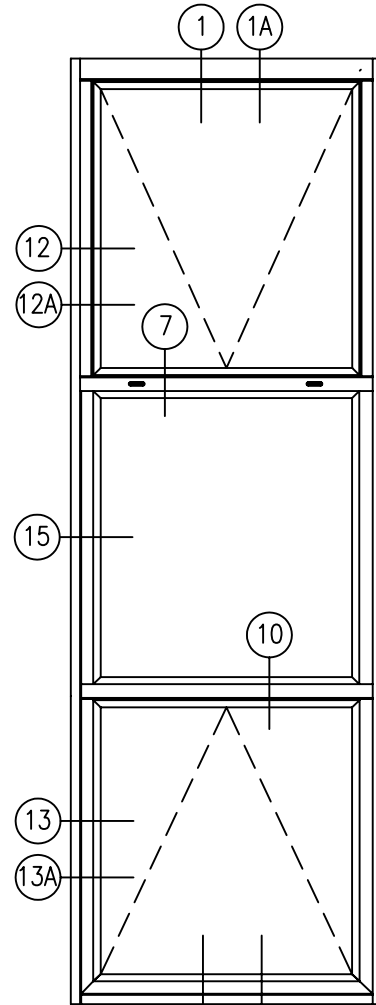
Projected In/Fixed  
Continuous Frame



Projected In/Projected In  
Continuous Frame



Fixed/Projected In  
Continuous Frame



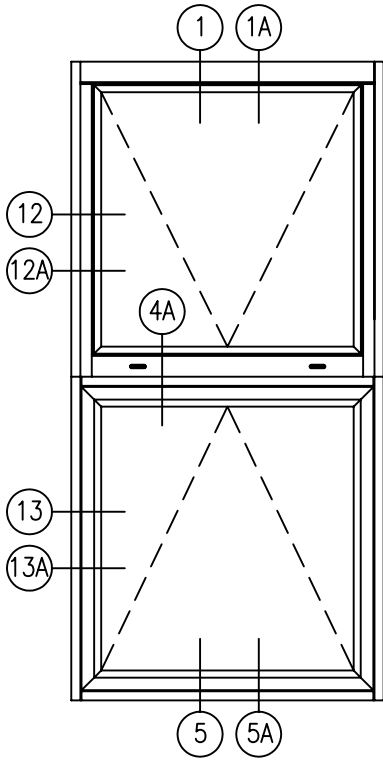
Projected In/Fixed/  
Projected Out  
Continuous Frame

All Elevations are viewed outside looking in.

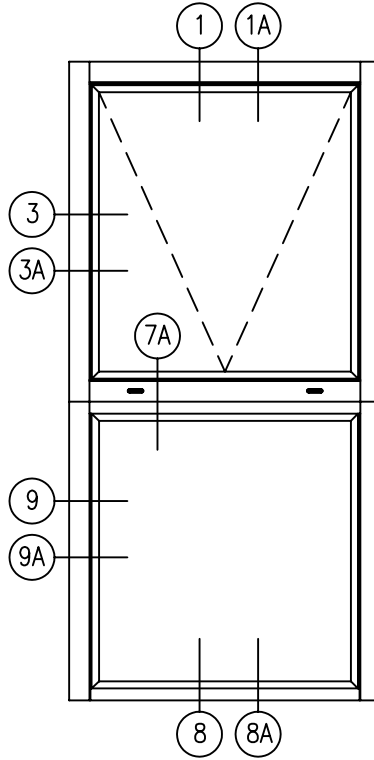
SCALE: NONE

Sheet 2 of 10

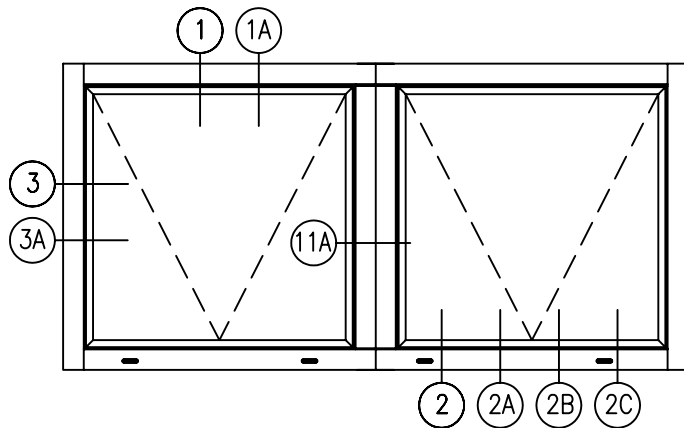
Other combinations available at request.



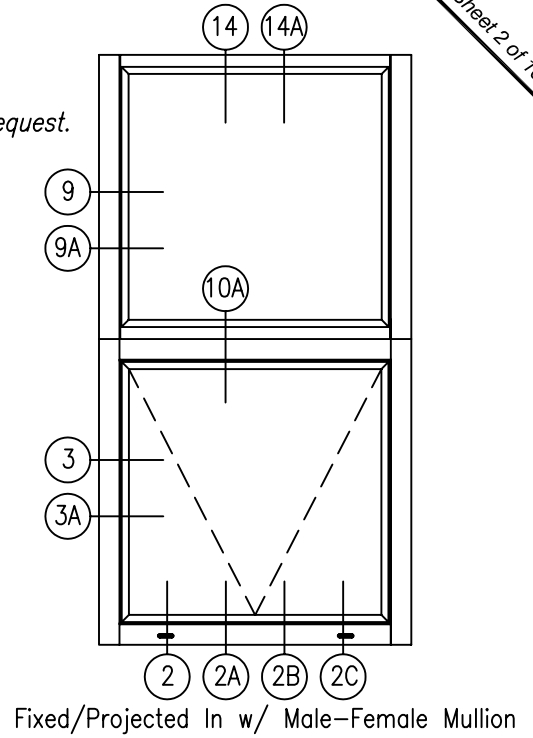
Projected In/Projected Out  
w/ Male-Female Mullion



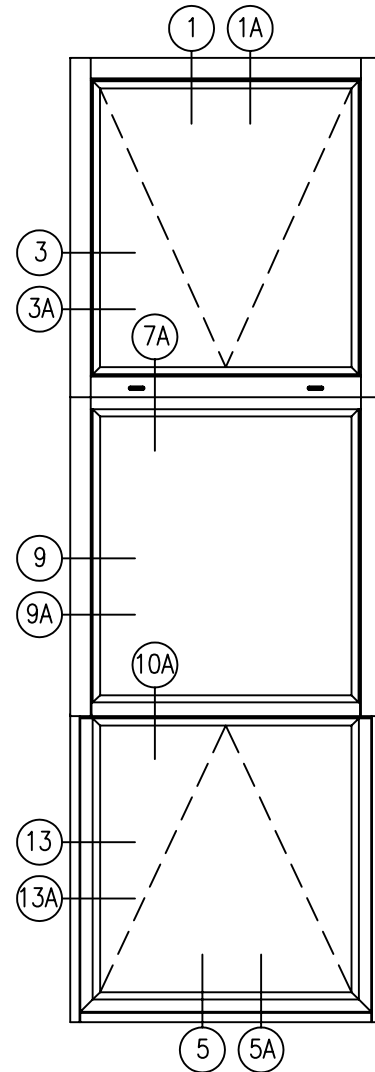
Projected In/Fixed  
w/ Male-Female Mullion



Projected In/Projected In  
w/ Male-Female Mullion



Fixed/Projected In w/ Male-Female Mullion

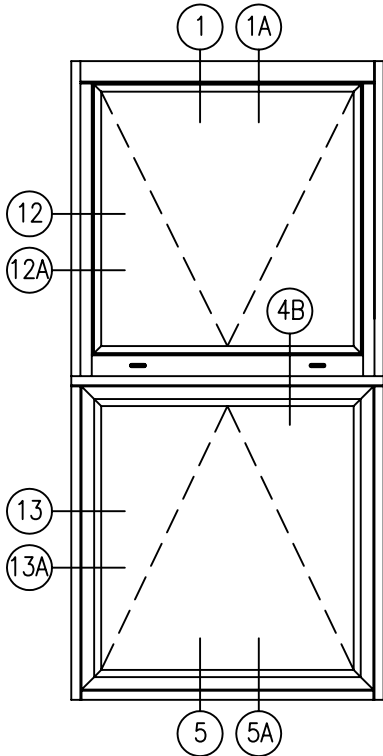


Projected In/Fixed/Project Out  
w/ Male-Female Mullion

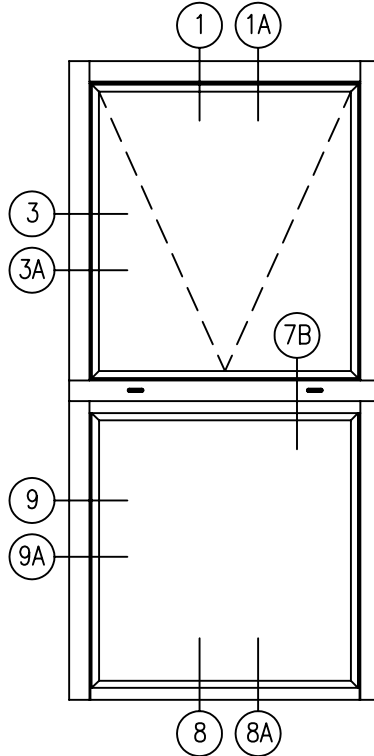
All Elevations are viewed outside looking in.

SCALE: NONE

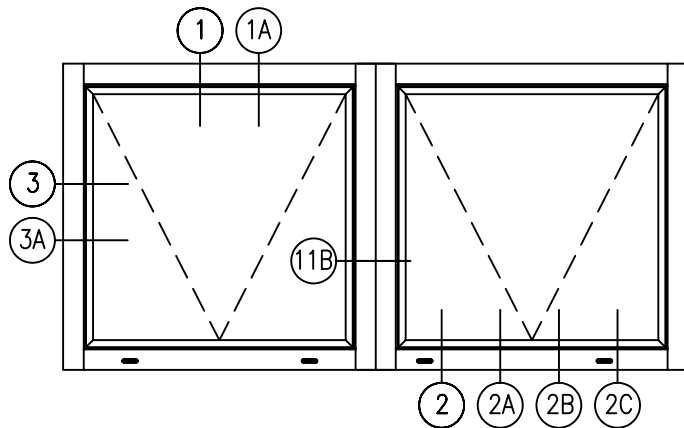
Other combinations available at request.



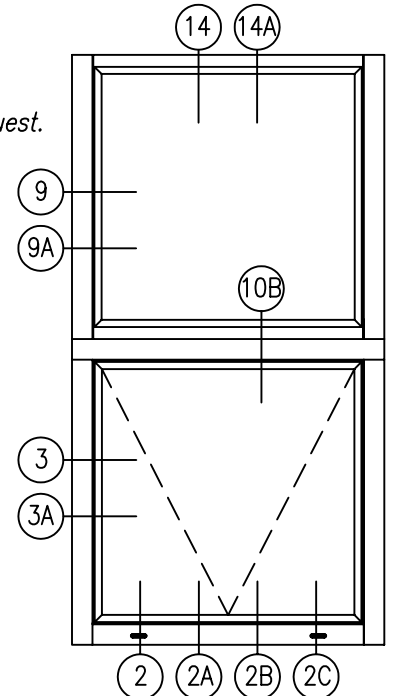
Projected In/Projected Out  
w/ H Mullion



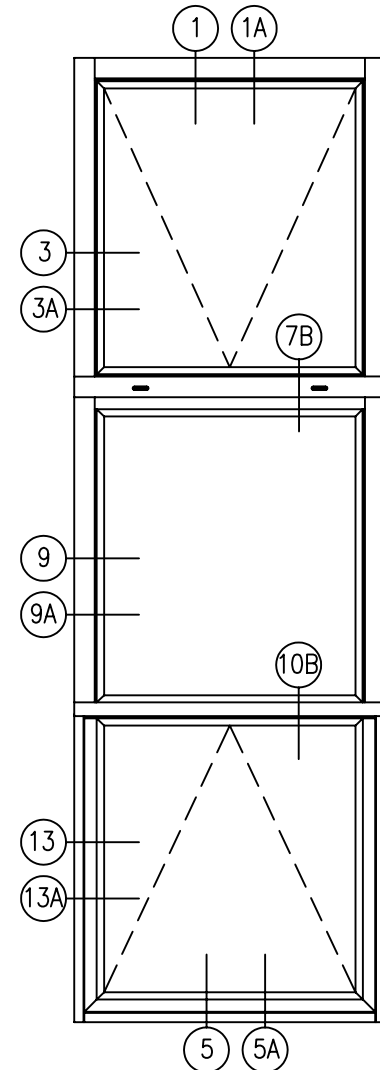
Projected In/Fixed  
w/ H Mullion



Projected In/Projected In  
w/ H Mullion



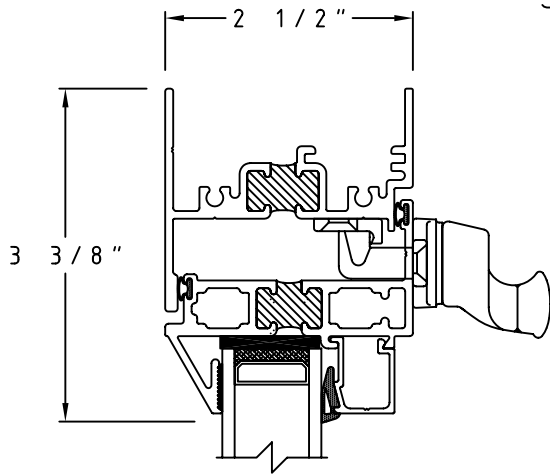
Fixed/Projected In w/ H Mullion



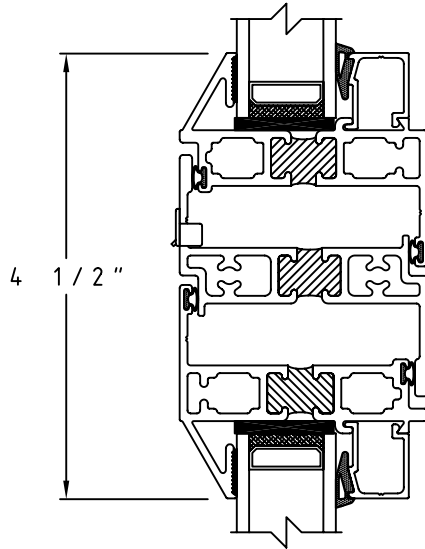
Projected In/Fixed/  
Projected Out w/ H Mullion

All Elevations are viewed outside looking in.

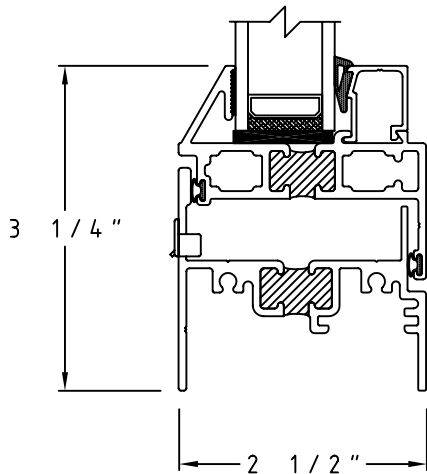
SCALE: HALF



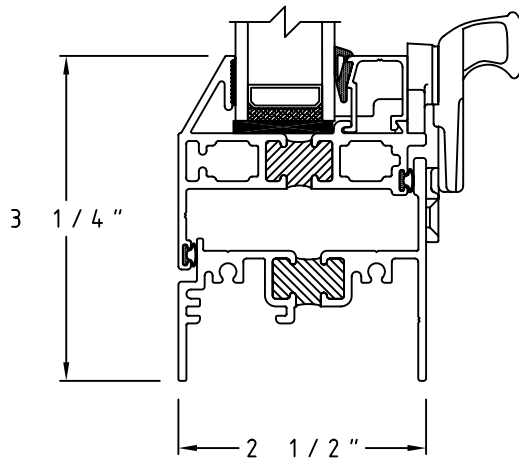
① Head Detail



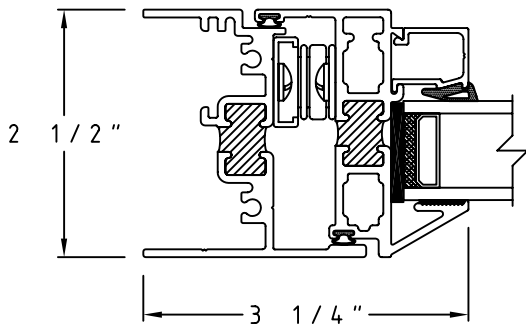
④ Projected In/Projected Out Mullion Detail



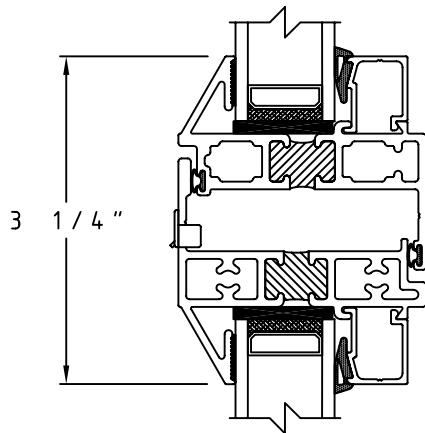
② Sill Detail



⑤ Projected Out Sill Detail

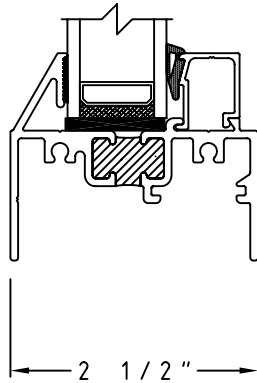


③ Jamb Detail

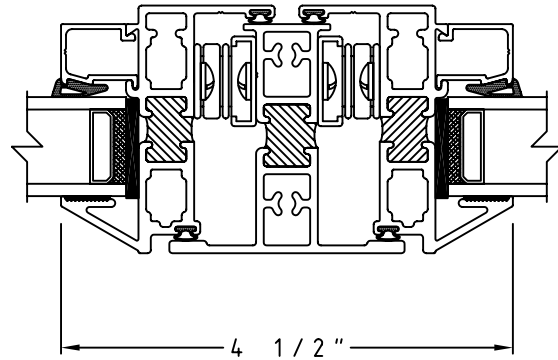


⑦ Projected In/Fixed Mullion Detail

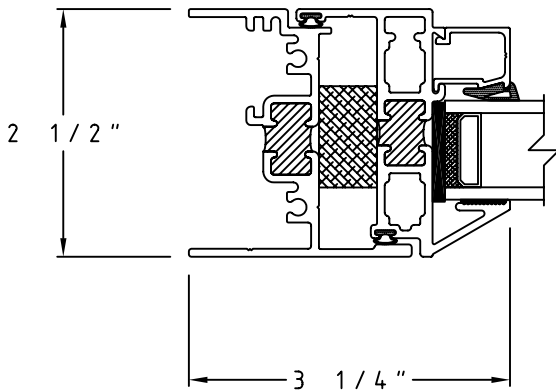
SCALE: HALF



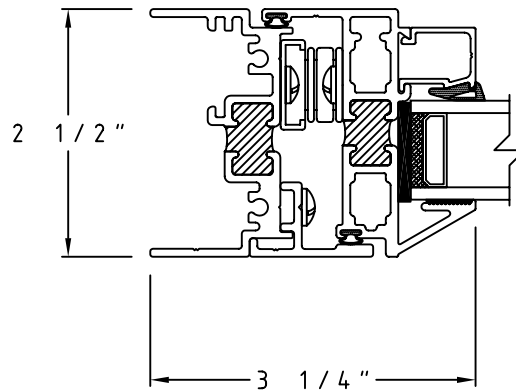
8 Fixed Sill Detail



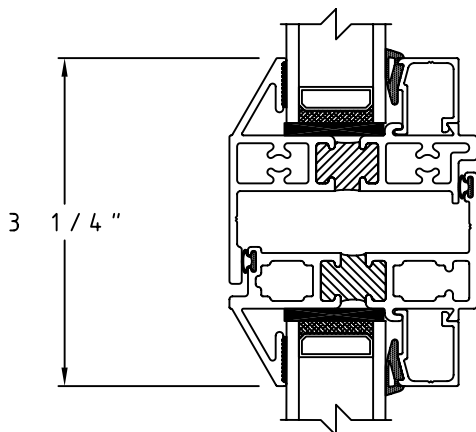
11 Projected In/Projected In Mullion Detail



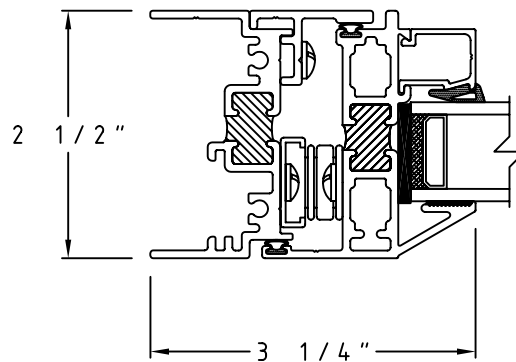
9 Fixed Jamb Detail



12 Projected In Jamb Detail

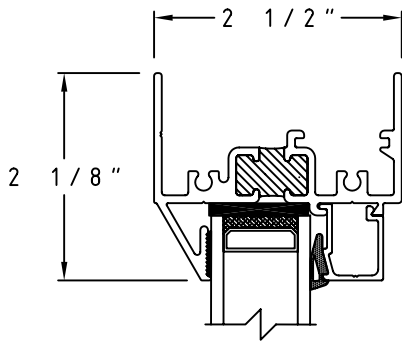


10 Fixed/Projected In Mullion Detail

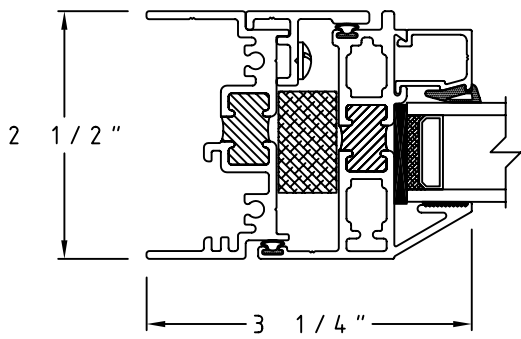


13 Projected Out Jamb Detail

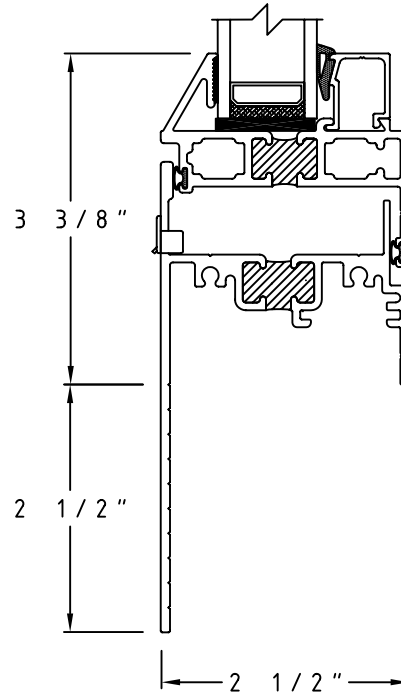
SCALE: HALF



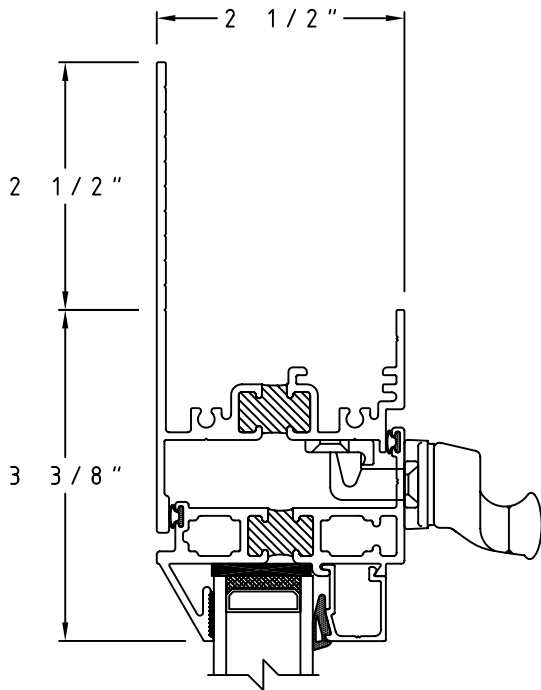
⑭ Fixed Sill Detail



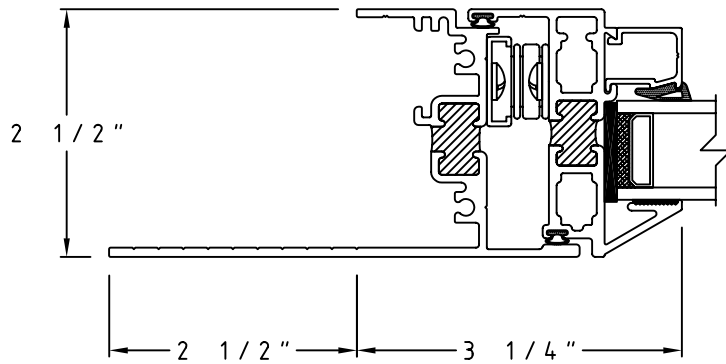
⑮ Fixed Jamb Detail



②A 2 1/2" Flange Sill Detail

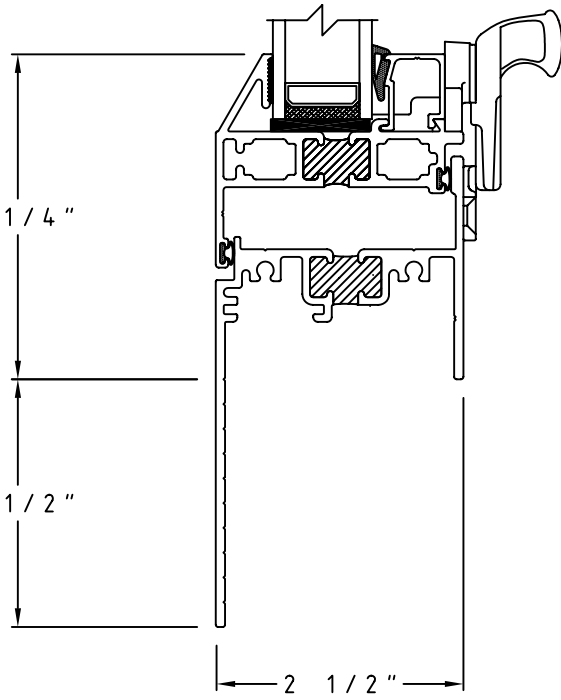


①A 2 1/2" Flange Head Detail

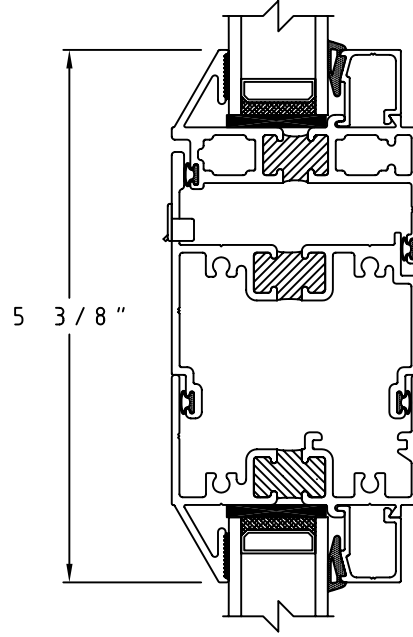


③A 2 1/2" Flange Jamb Detail

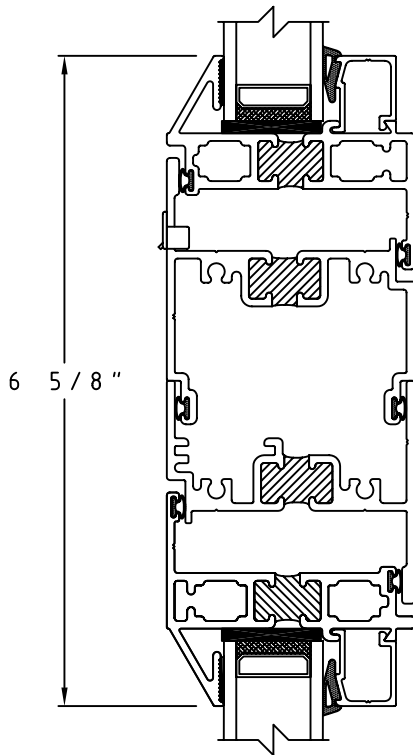
SCALE: HALF



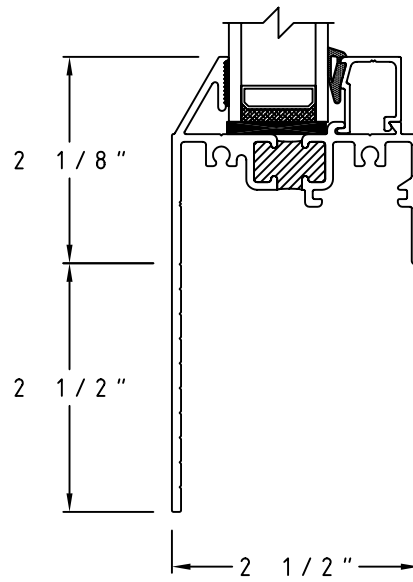
5A) 2 1/2" Flange Sill Projected Out Detail



7A) Projected In/Fixed with Male-Female Mullion

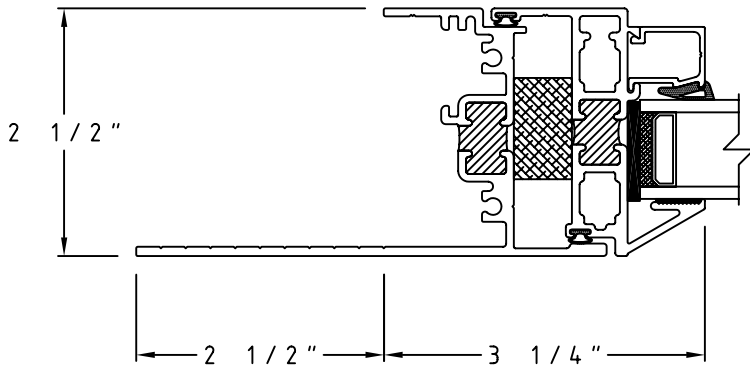


4A) Projected In/Projected Out Male-Female Mullion

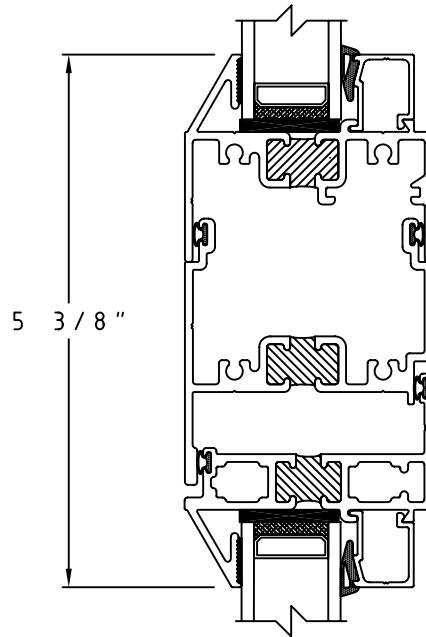


8A) 2 1/2" Flange Fixed Sill Detail

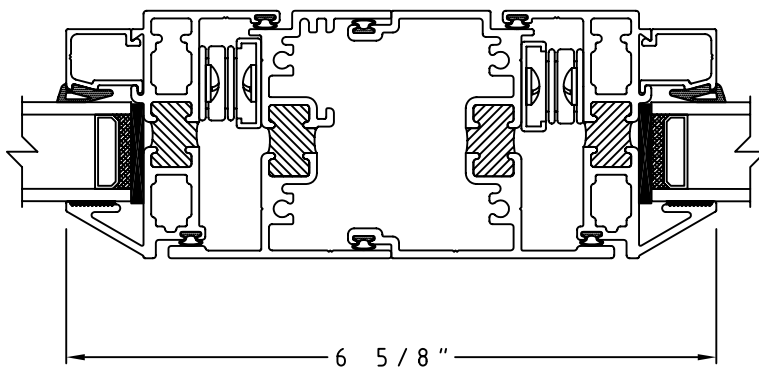
SCALE: HALF



9A 2 1/2" Flange Fixed Jamb Detail

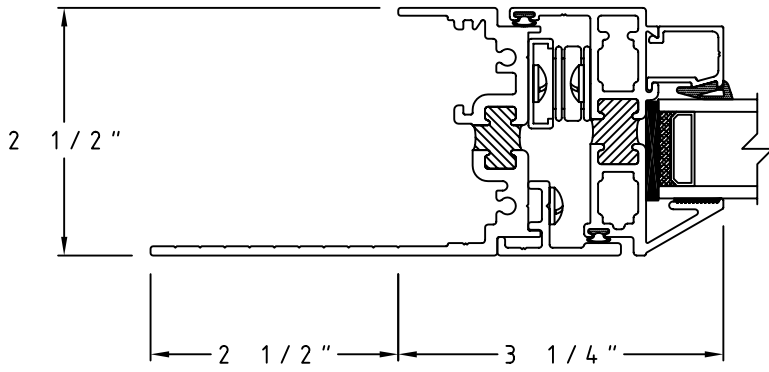


10A Fixed/Projected In with Male-Female Mullion

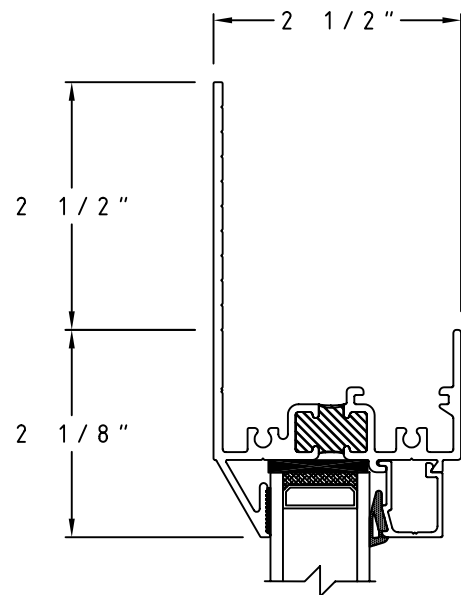


11A Projected In/Projected In with Male-Female Mullion

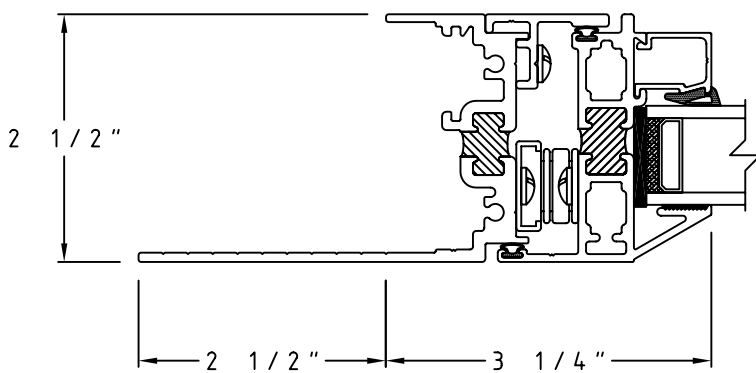




(12A) 2 1/2" Projected In Flange Jamb Detail

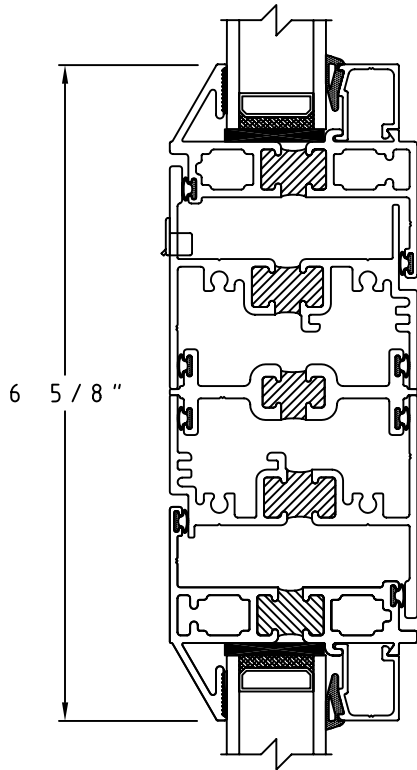


(14A) 2 1/2" Flange Head Detail

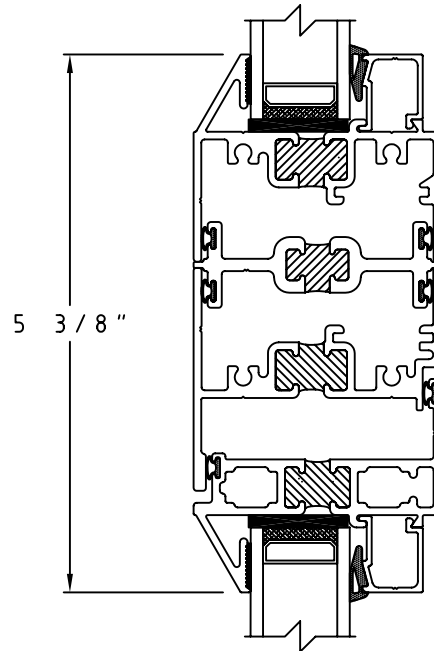


(13A) 2 1/2" Projected Out Flange Jamb Detail

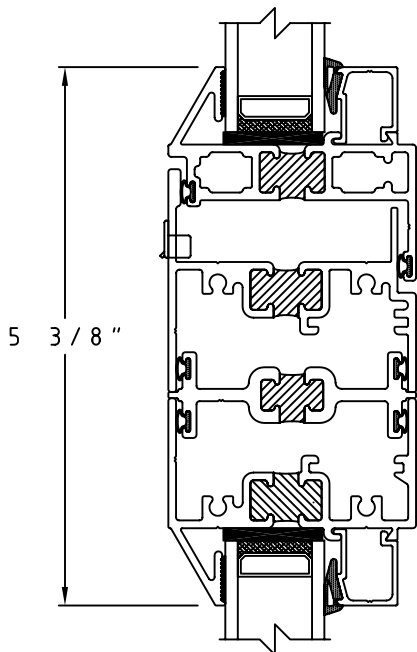
SCALE: HALF



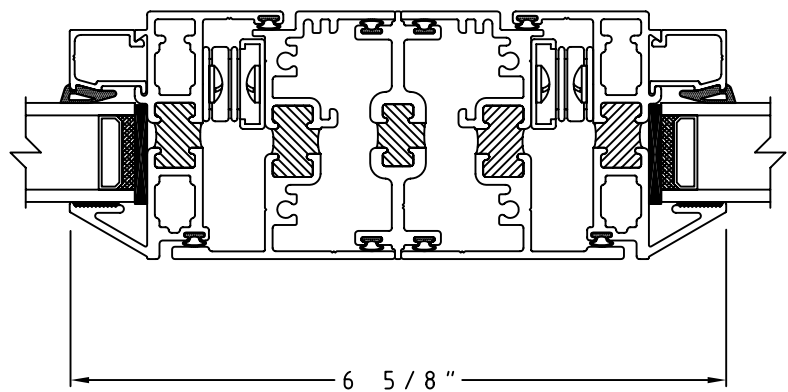
④B Projected In/Projected Out with H Mullion



⑩B Fixed/Projected In with "H" Mullion



⑦B Projected In/Fixed with H Mullion



⑪B Projected In/Projected In with "H" Mullion