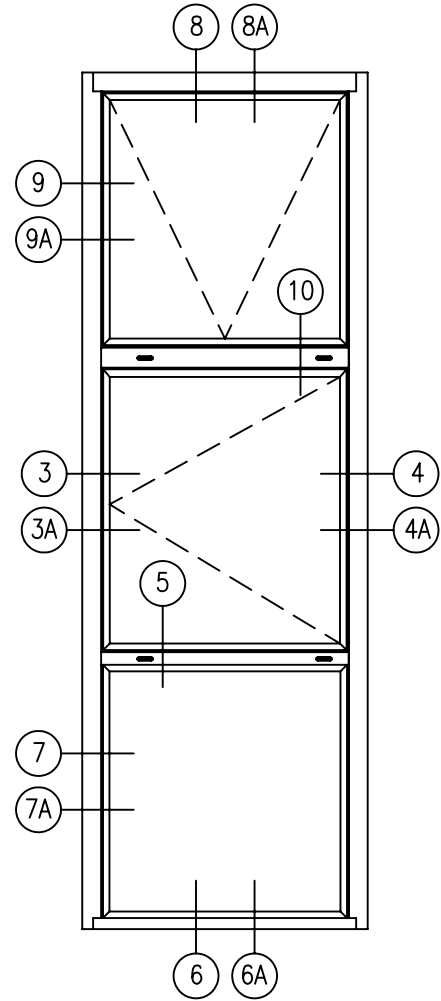
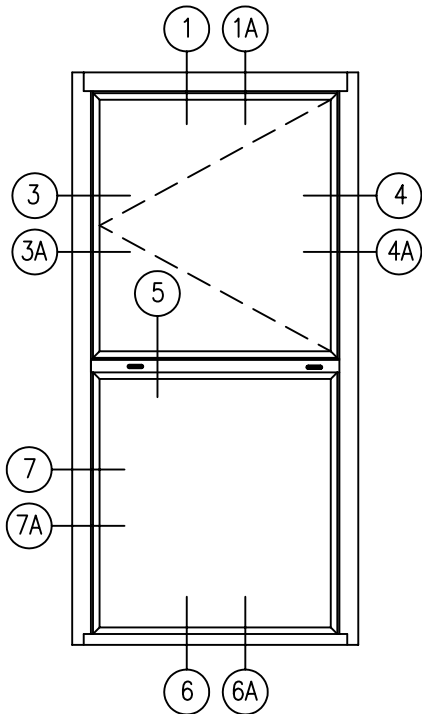


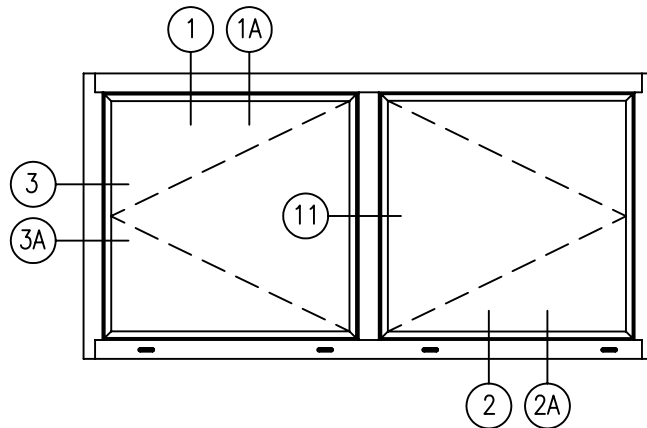
Casement In



Projected In/Casement In/  
Fixed Continuous Frame

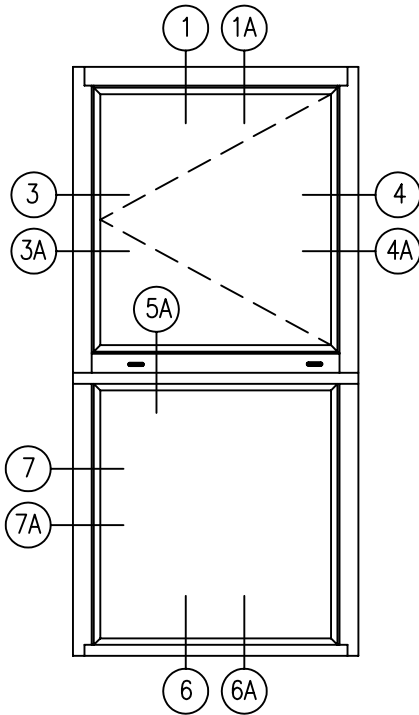


Casement In/Fixed  
Continuous Frame

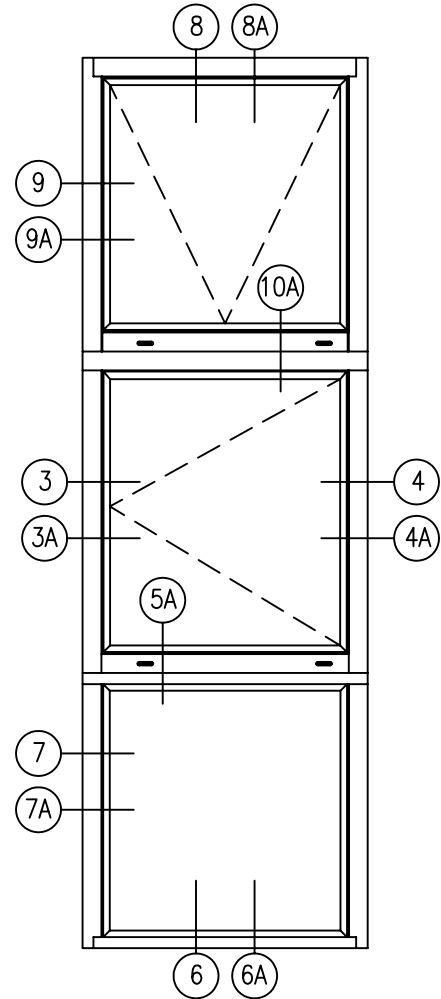


Casement In/Casement In  
Continuous Frame

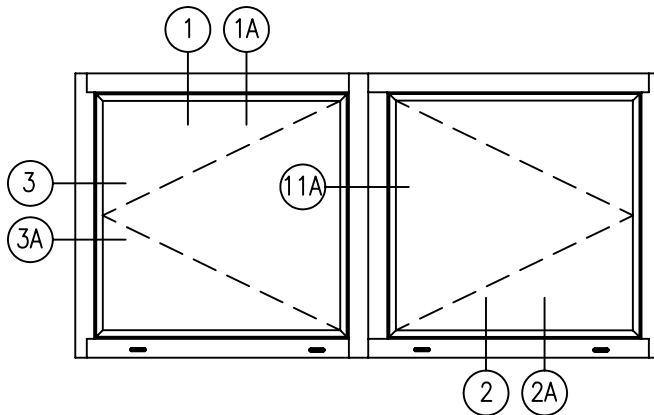
All Elevations are viewed outside looking in.



Casement In/Fixed  
with Male-Female Mullion

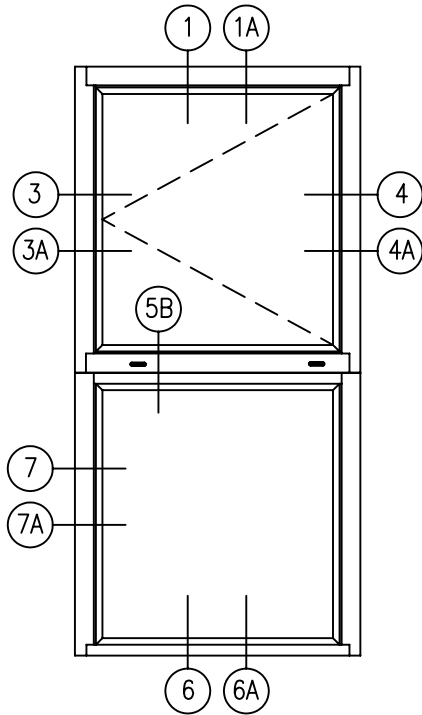


Projected In/Casement In/Fixed  
with Male-Female Mullion

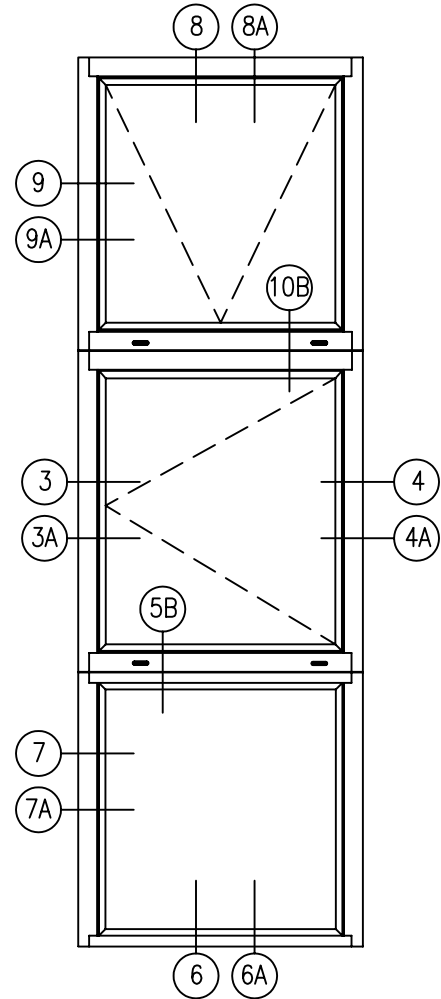


Casement In/Casement In  
with Male-Female Mullion

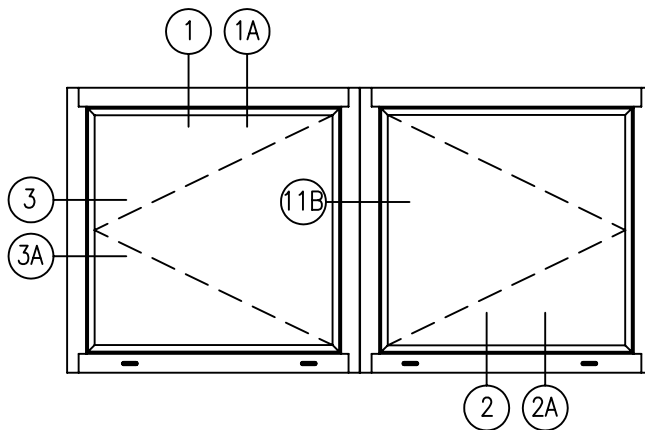
All Elevations are viewed outside looking in.



Casement In/Fixed with H Mullion



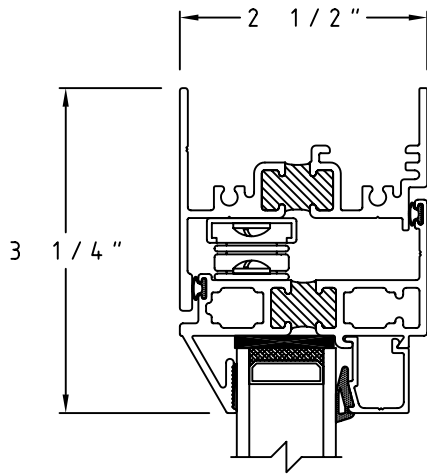
Projected In/Casement In/Fixed with H Mullion



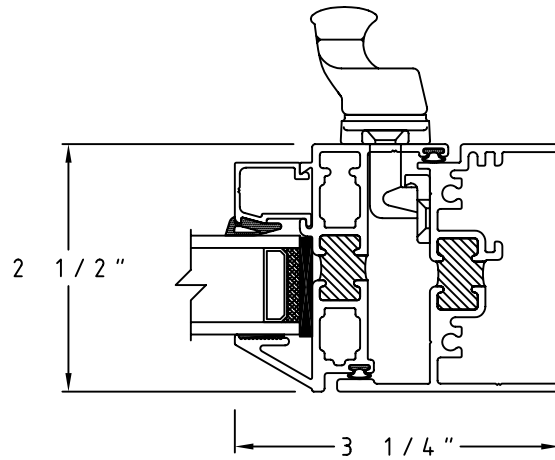
Casement In/Casement In with H Mullion

All Elevations are viewed outside looking in.

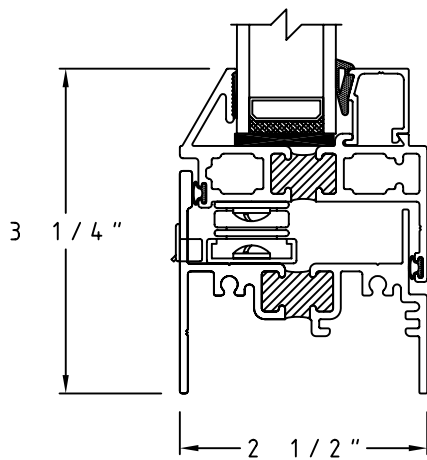
SCALE: HALF



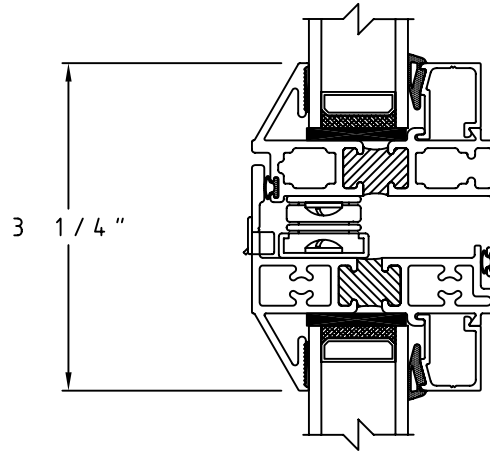
① Head Detail



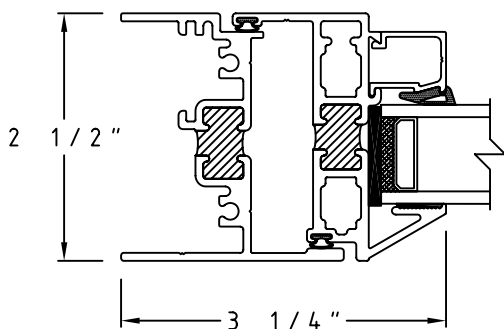
④ Casement In Jamb Detail



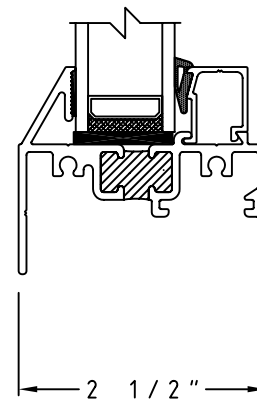
② Sill Detail



⑤ Casement In/Fixed Mullion Detail

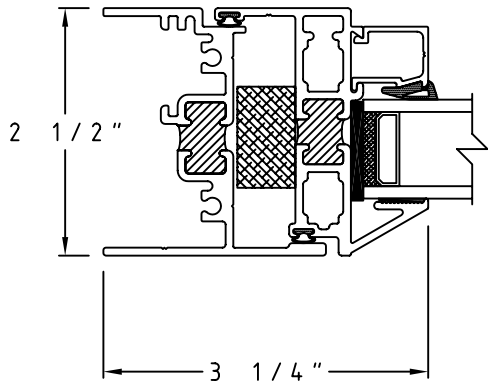


③ Jamb Detail

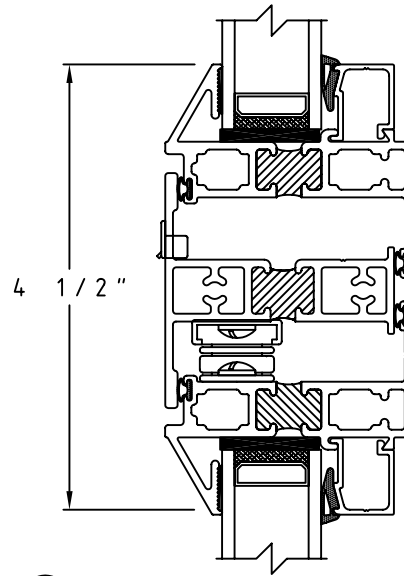


⑥ Fixed Sill Detail

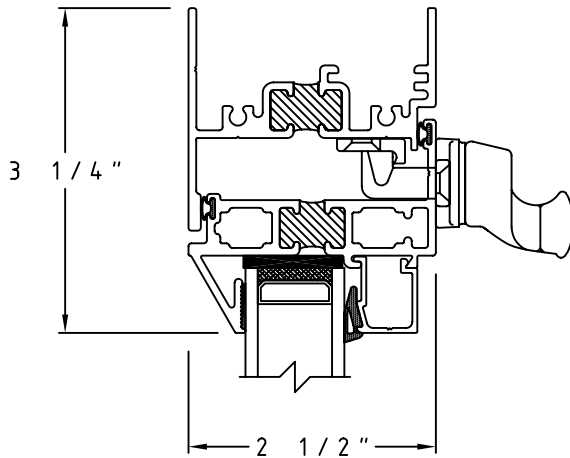
SCALE: HALF



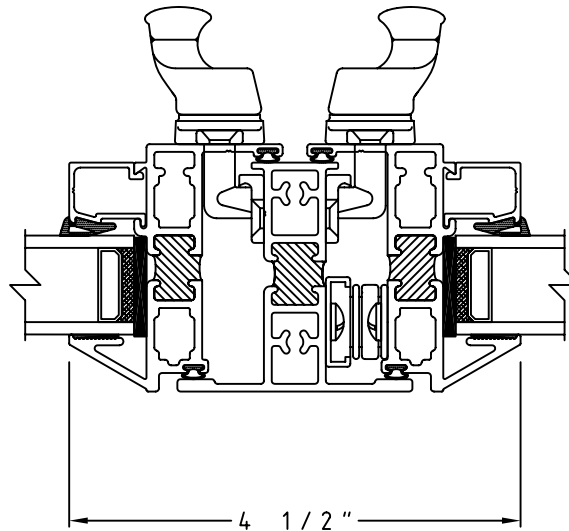
⑦ Fixed Jamb Detail



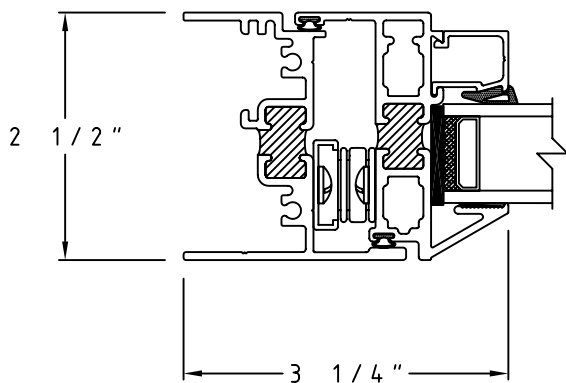
⑩ Projected In/Casement In Mullion Detail



⑧ Projected In Head Detail

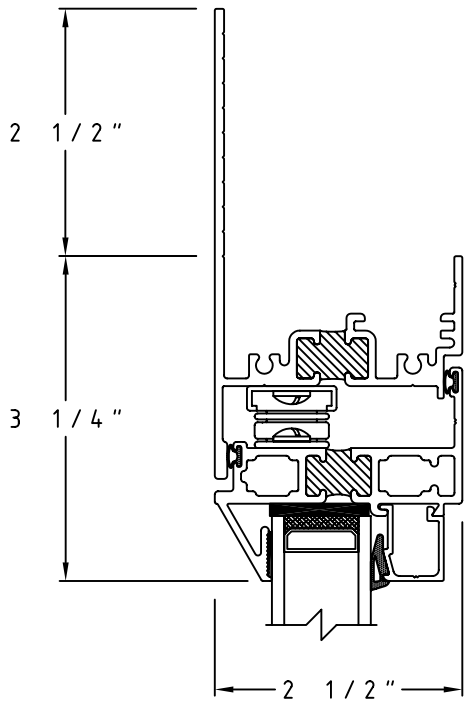


⑪ Casement In/Casement In Mullion Detail

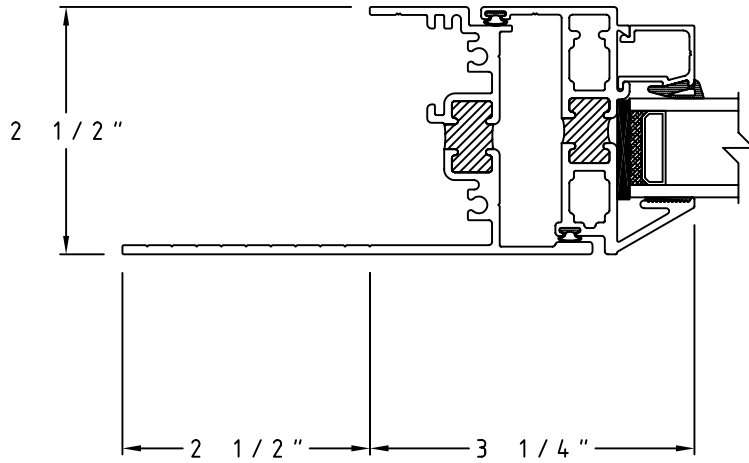


⑨ Projected In Jamb Detail

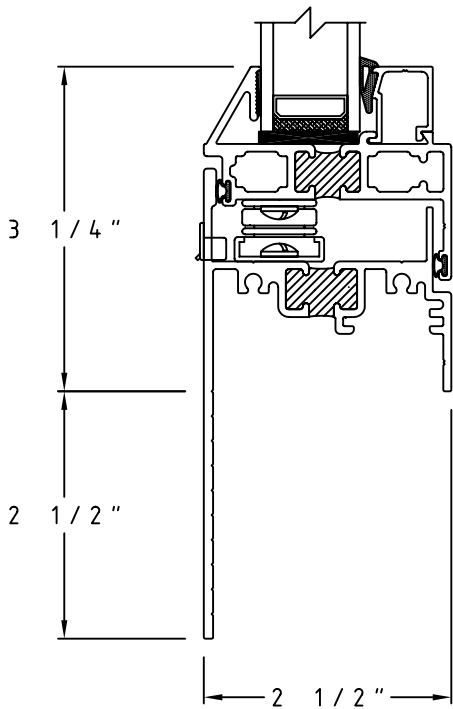
SCALE: HALF



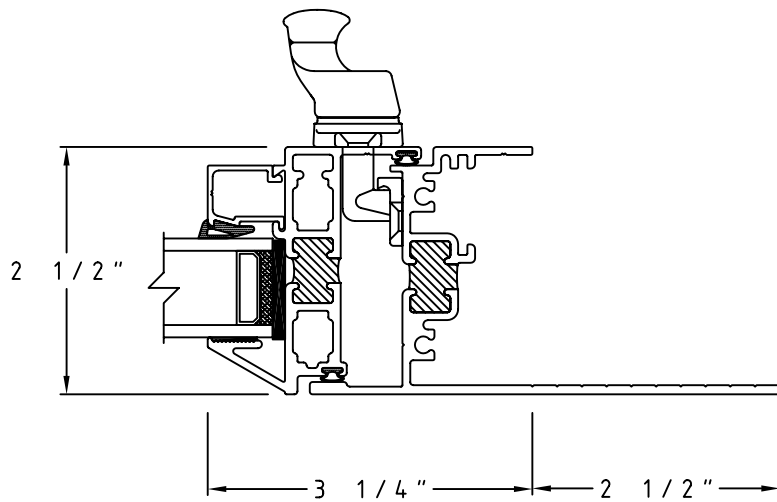
①A 2 1/2" Flange Casement In Head Detail



③A 2 1/2" Flange Casement In Jamb Detail

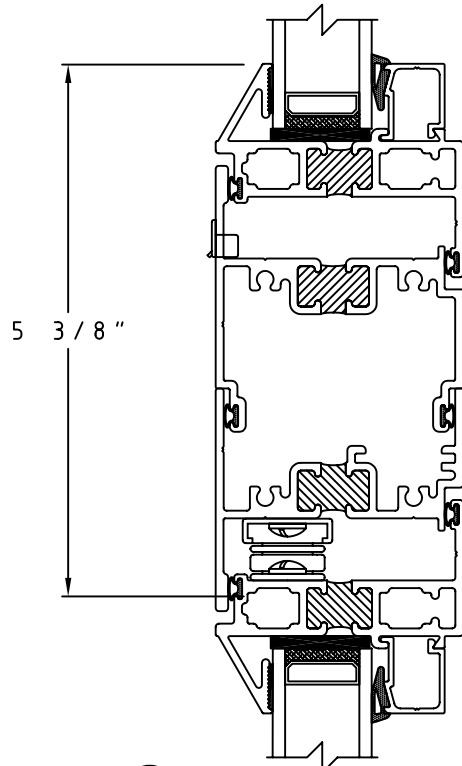


②A 2 1/2" Flange Casement In Sill Detail

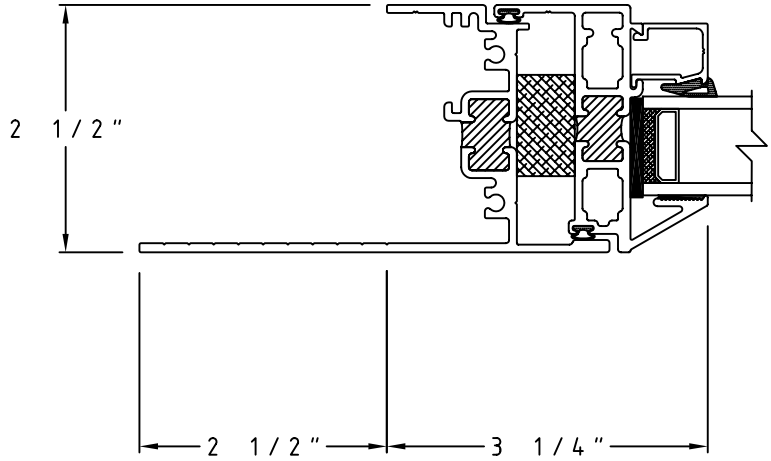


④A 2 1/2" Flange Casement In Jamb Detail

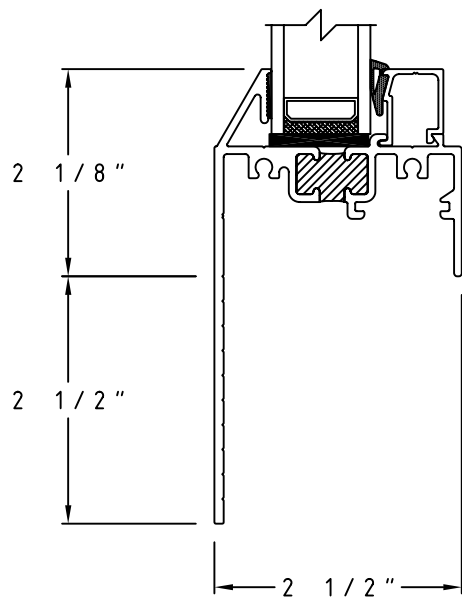
SCALE: HALF



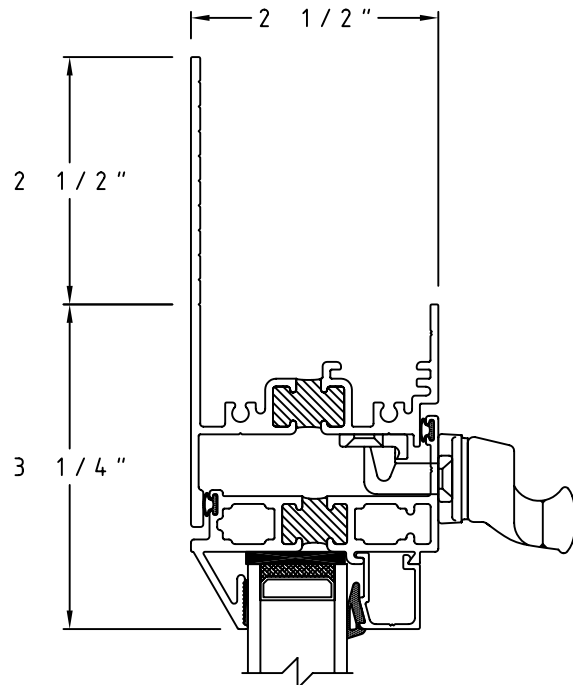
5A Casement In/Fixed with Male-Female Mullion



7A 2 1/2" Flange Fixed Jamb Detail

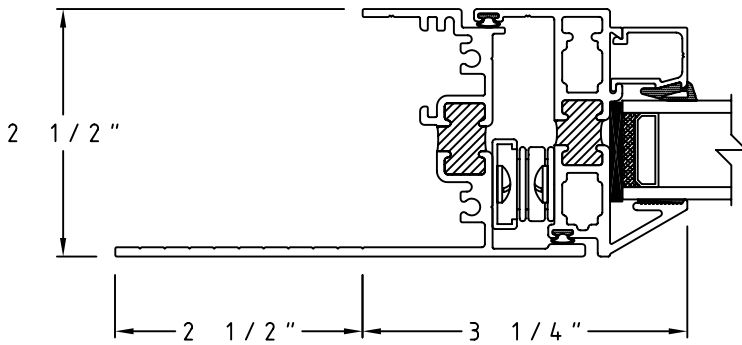


6A 2 1/2" Flange Fixed Sill Detail

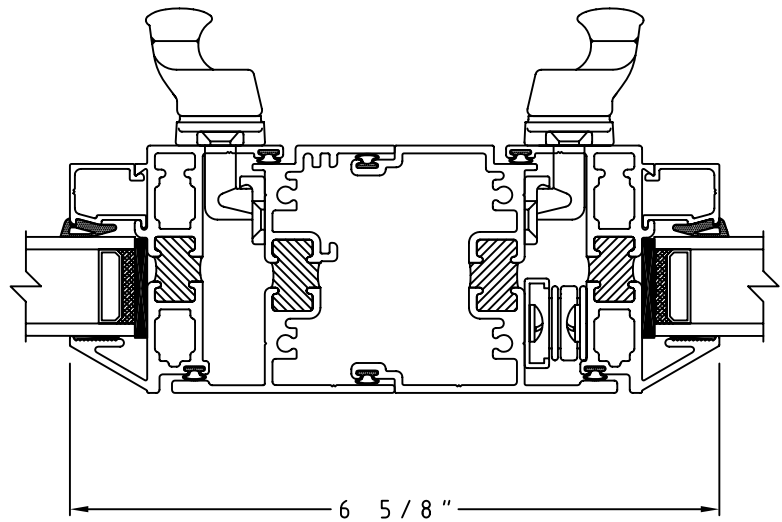


8A 2 1/2" Flange Projected In Head Detail

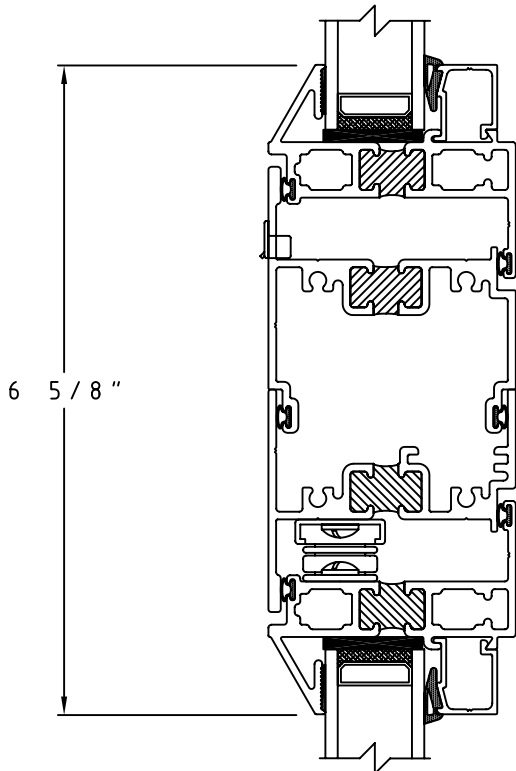
SCALE: HALF



9A) 2 1/2" Flange Projected In Jamb Detail



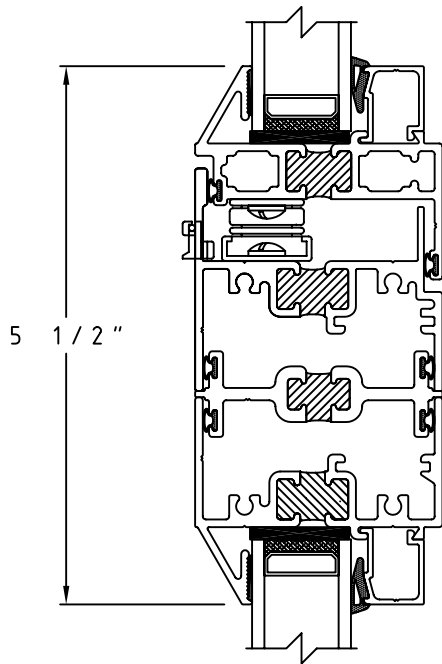
11A) Casement In/Casement In with Male-Female Mullion



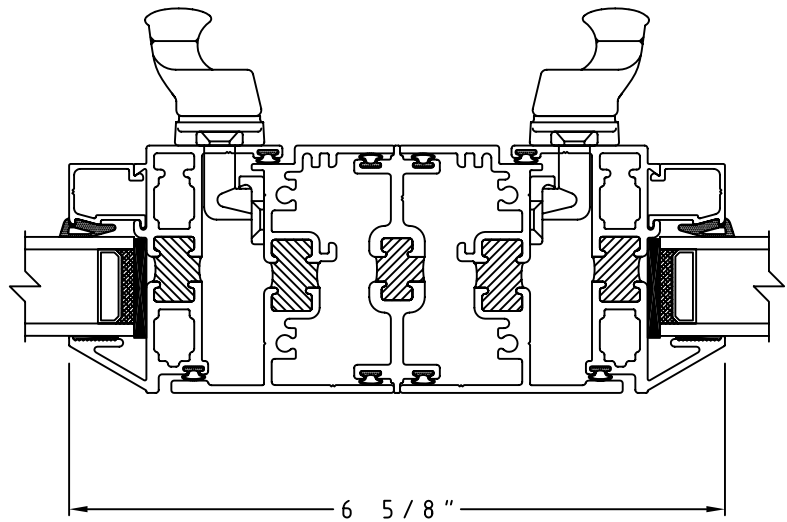
10A) Projected In/Casement In with Male-Female Mullion



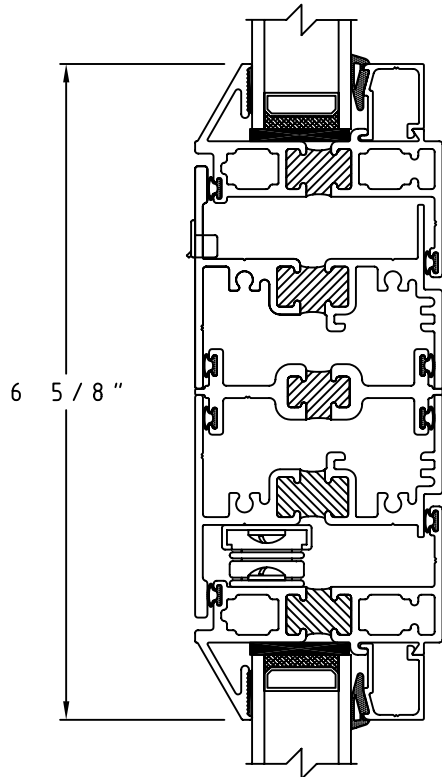
SCALE: HALF



5B Casement In/Fixed with H Mullion



11B Casement In/Casement In with H Mullion



10B Projected In/Casement In with H Mullion