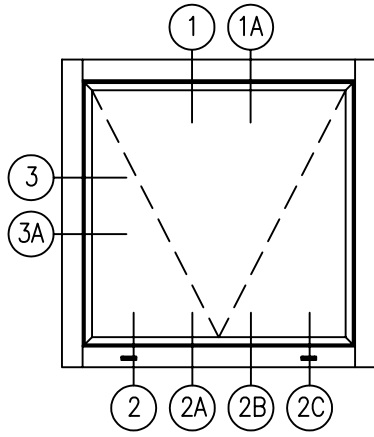


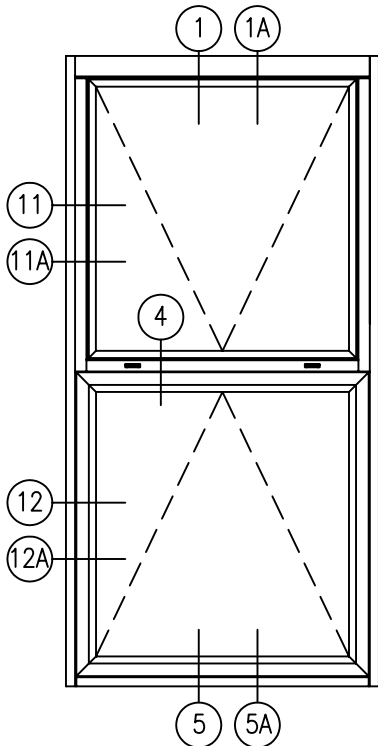
# Champion Series 5200

SCALE: NONE

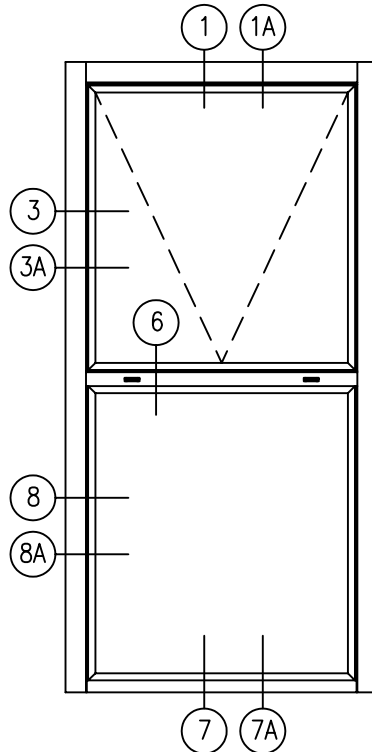
Other combinations available at request.



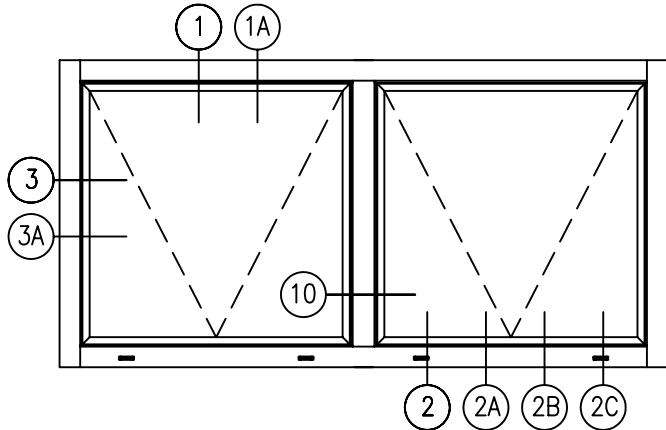
Projected In



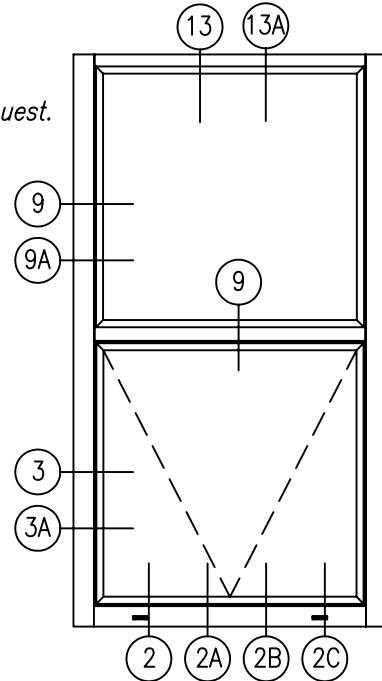
Projected In/Projected Out  
Continuous Frame



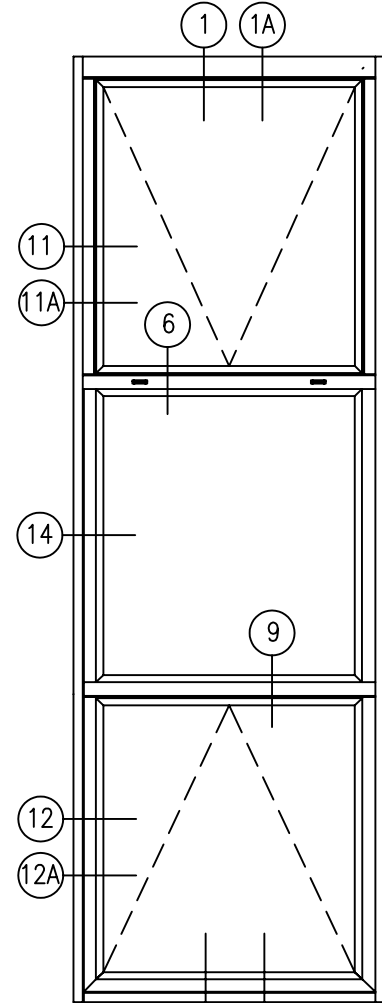
Projected In/Fixed  
Continuous Frame



Projected In/Projected In  
Continuous Frame



Fixed/Projected In  
Continuous Frame



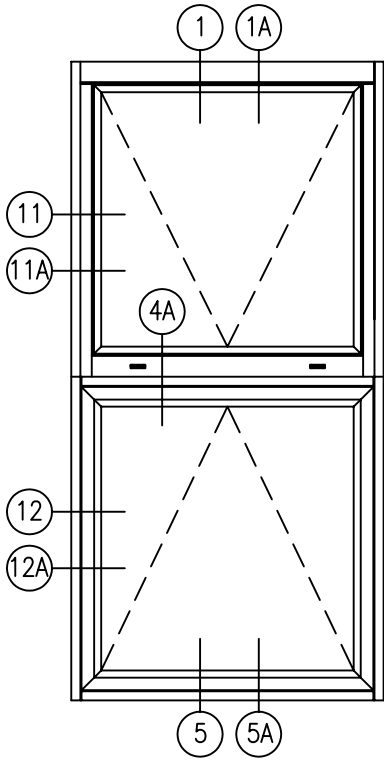
Projected In/Fixed/  
Projected Out  
Continuous Frame

All Elevations are viewed outside looking in.

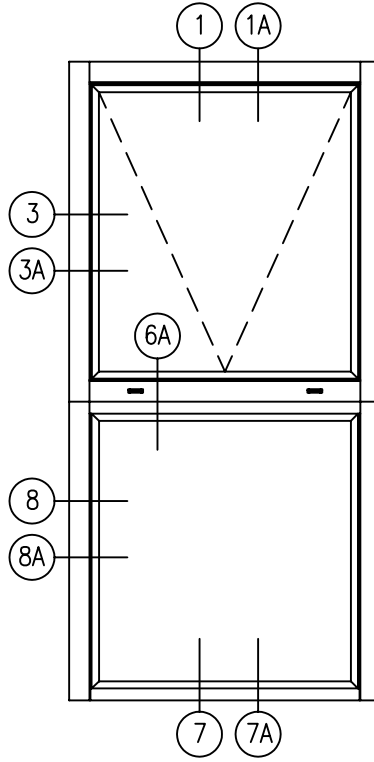
SCALE: NONE

Sheet 2 of 10

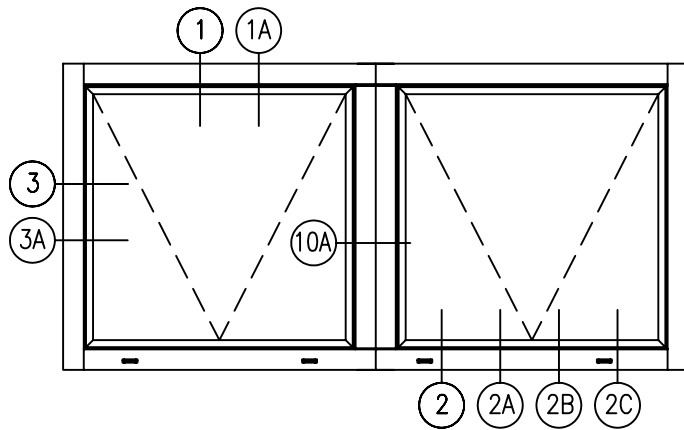
*Other combinations available at request.*



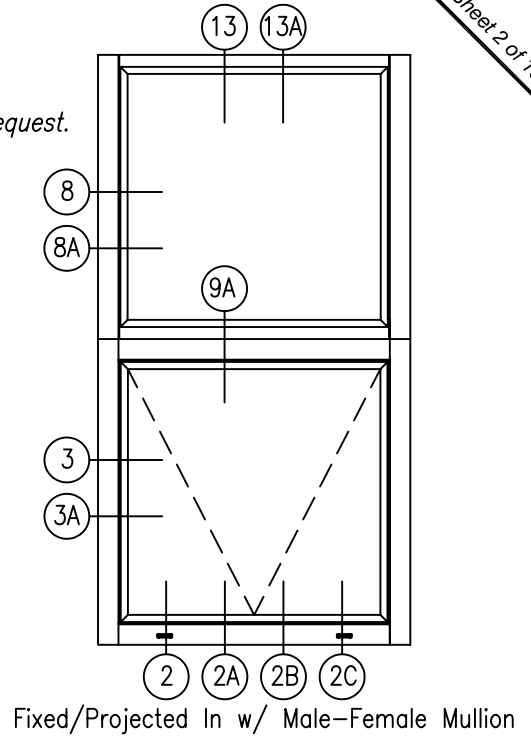
Projected In/Projected Out  
w/ Male-Female Mullion



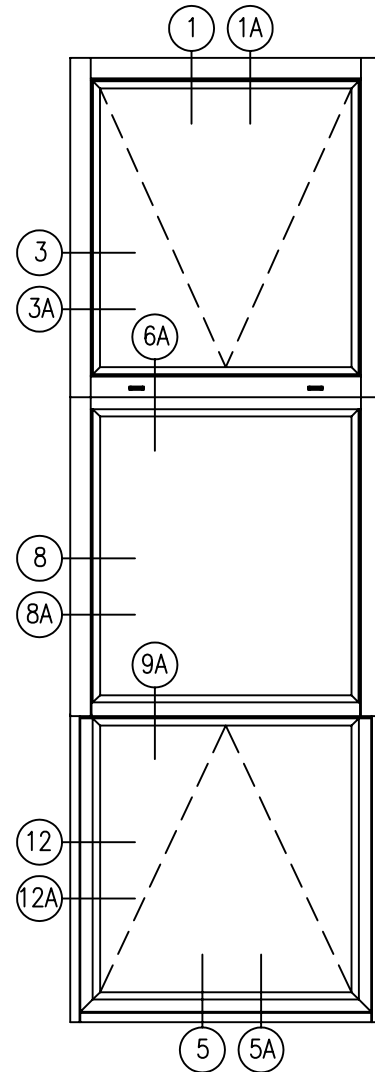
Projected In/Fixed  
w/ Male-Female Mullion



Projected In/Projected In  
w/ Male-Female Mullion



Fixed/Projected In w/ Male-Female Mullion

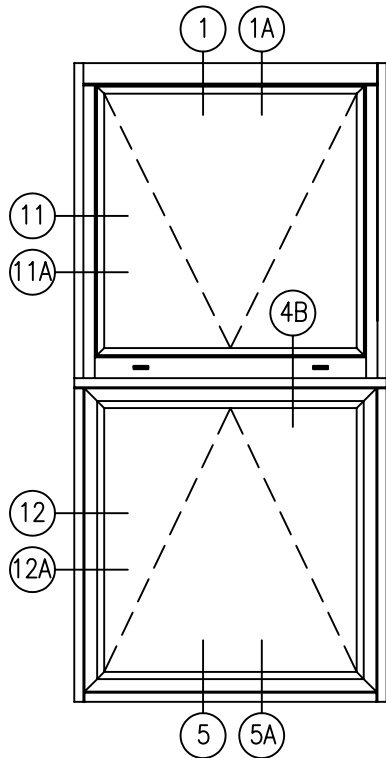


Projected In/Fixed/Project Out  
w/ Male-Female Mullion

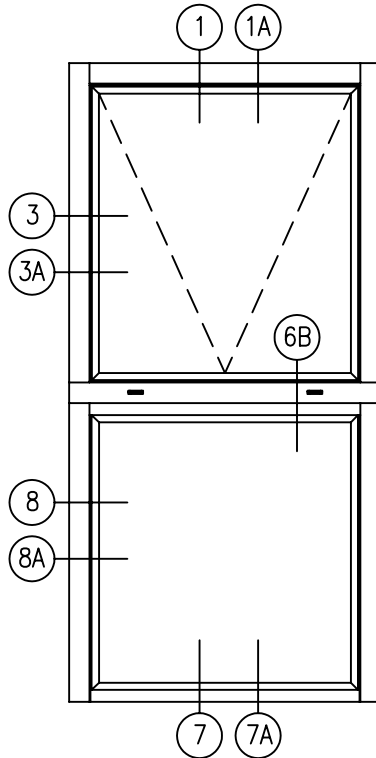
*All Elevations are viewed outside looking in.*

SCALE: NONE

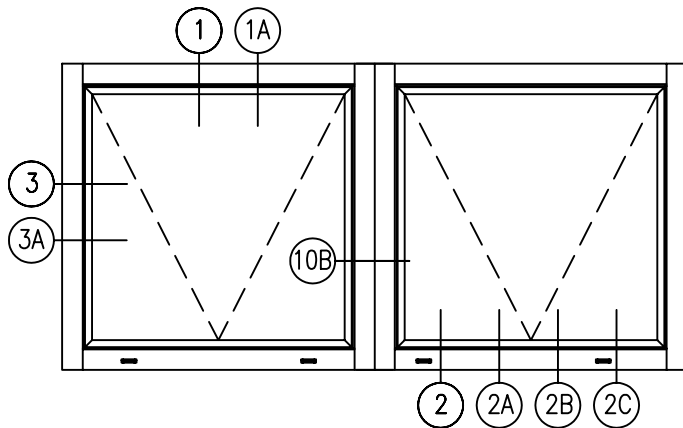
*Other combinations available at request.*



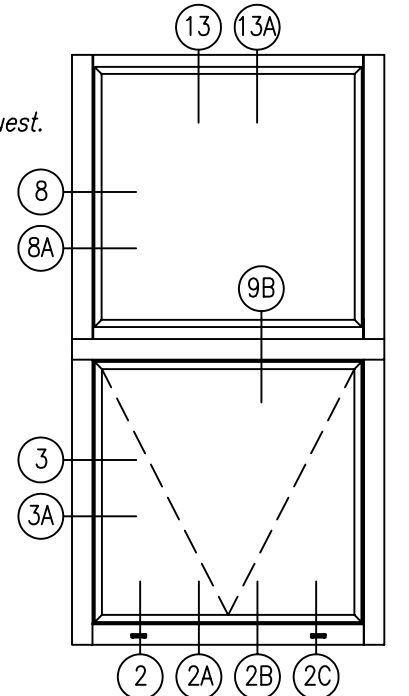
Projected In/Projected Out  
w/ H Mullion



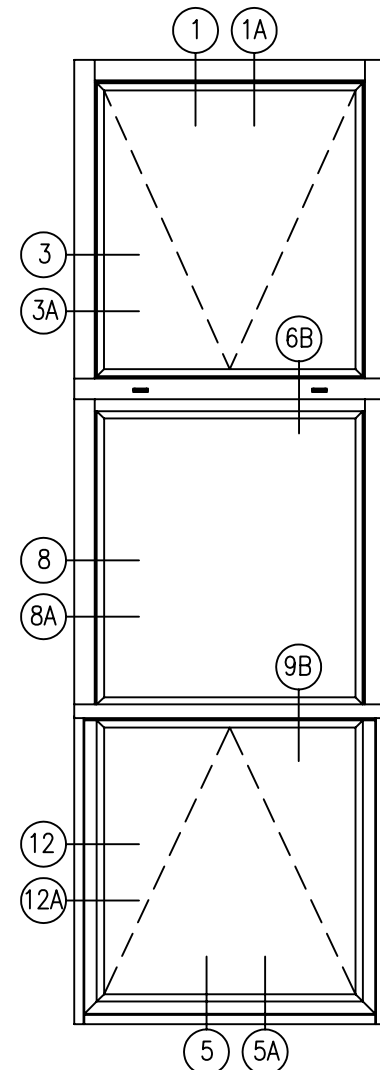
Projected In/Fixed  
w/ H Mullion



Projected In/Projected In  
w/ H Mullion



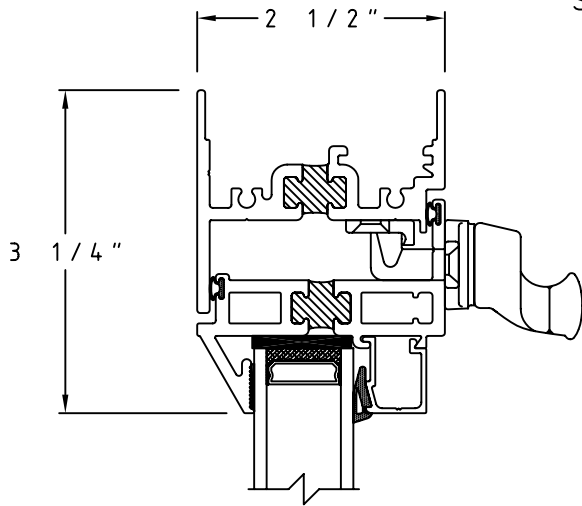
Fixed/Projected In w/ H Mullion



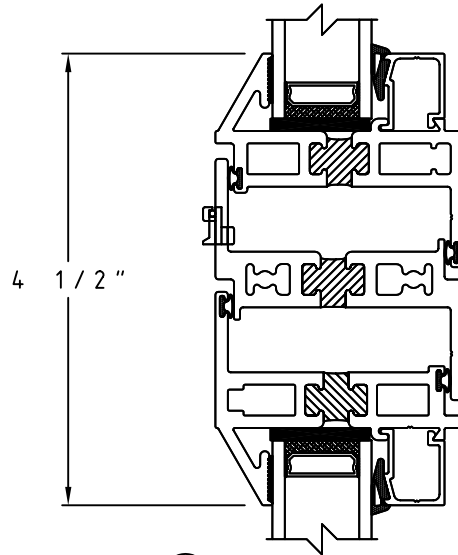
Projected In/Fixed/  
Projected Out w/ H Mullion

*All Elevations are viewed outside looking in.*

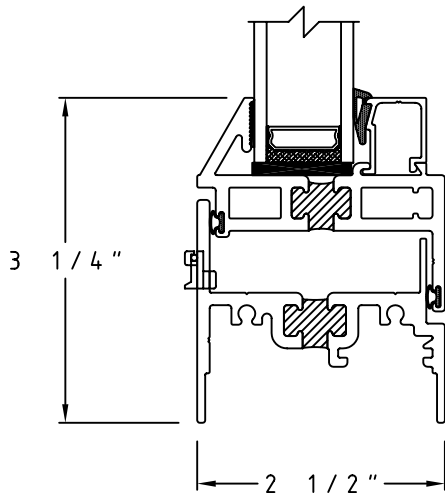
SCALE: HALF



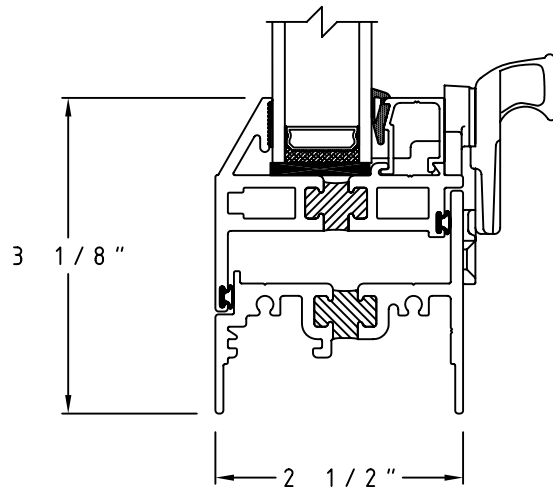
① Head Detail



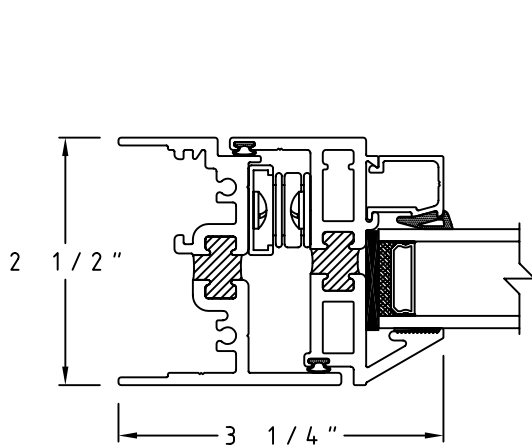
④ Projected In/Projected Out Mullion Detail



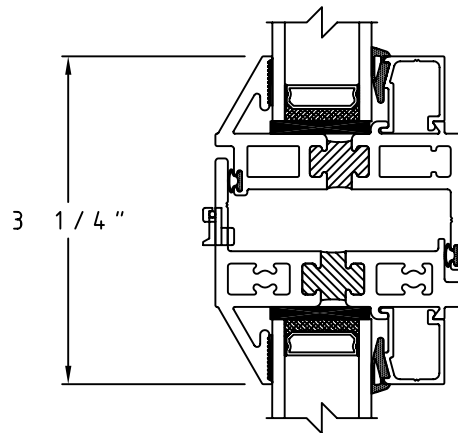
② Sill Detail



⑤ Projected Out Sill Detail

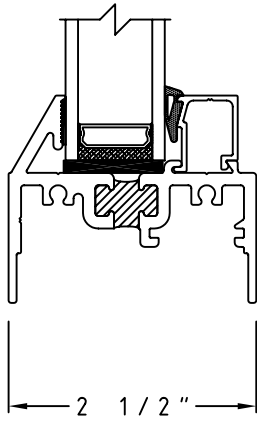


③ Jamb Detail

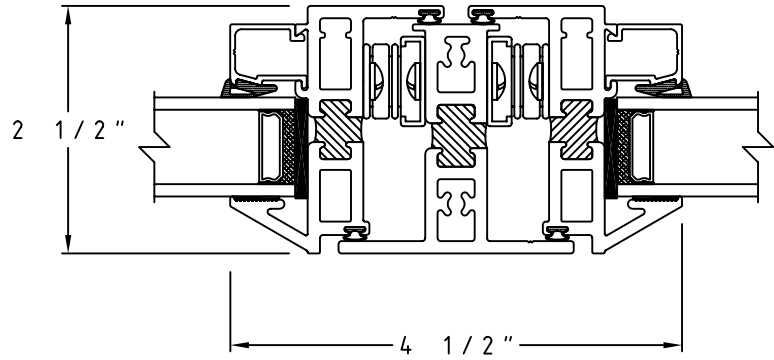


⑥ Projected In/Fixed Mullion Detail

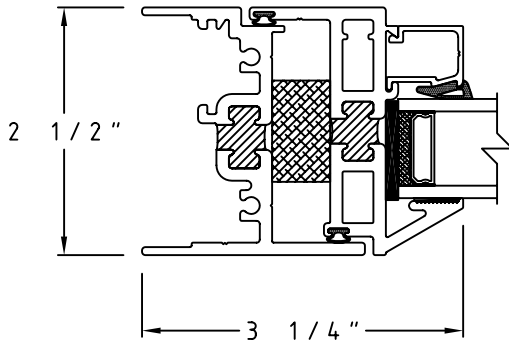
SCALE: HALF



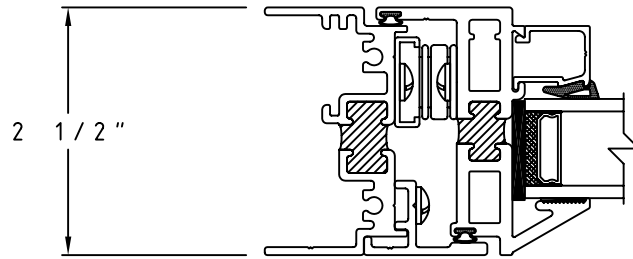
⑦ Fixed Sill Detail



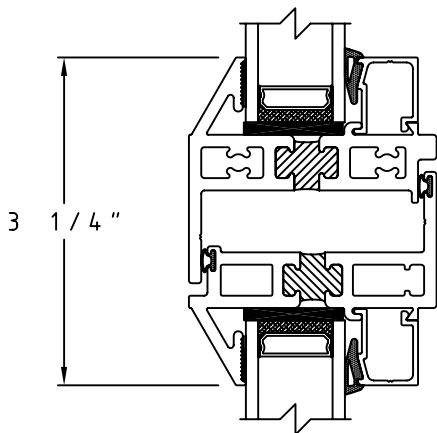
⑩ Projected In/Projected In Mullion Detail



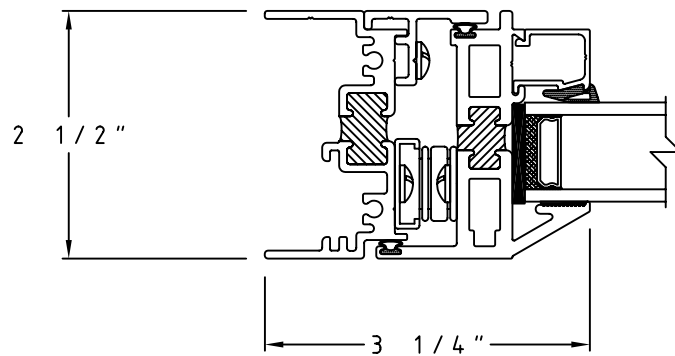
⑧ Fixed Jamb Detail



⑪ Projected In Jamb Detail

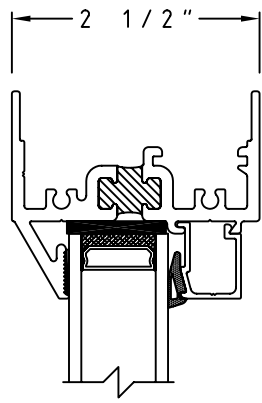


⑨ Fixed/Projected In Mullion Detail

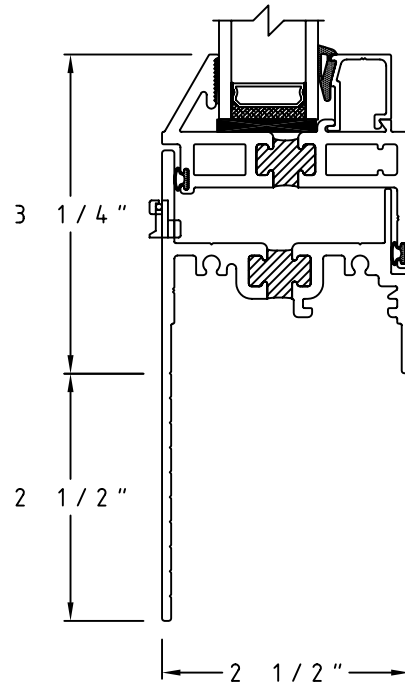


⑫ Projected Out Jamb Detail

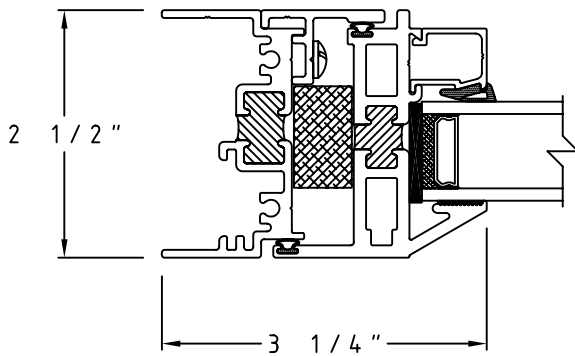
SCALE: HALF



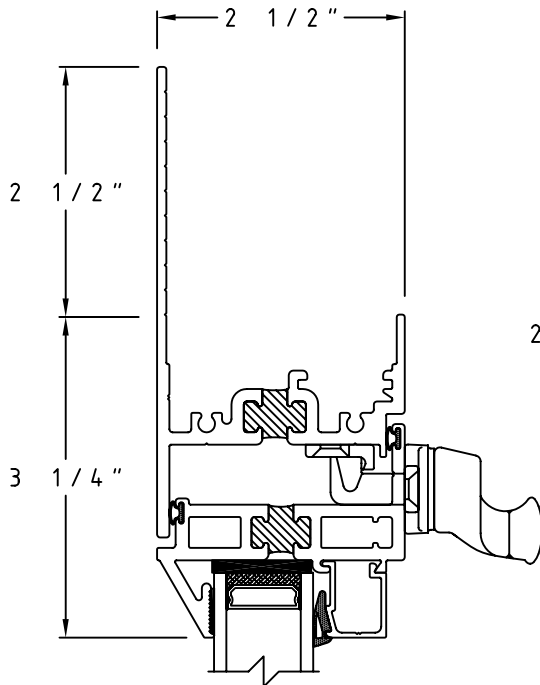
⑬ Fixed Head



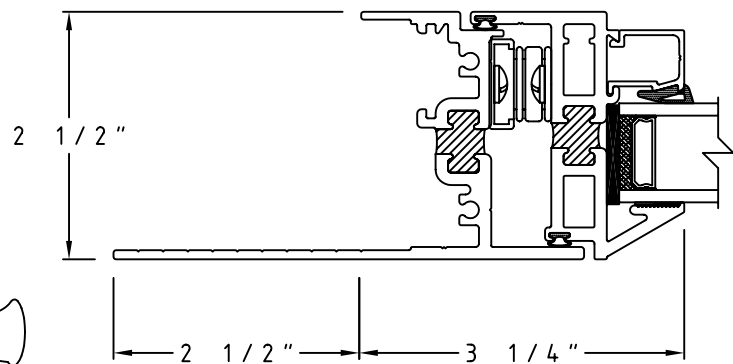
②A 2 1/2" Flange Sill Detail



⑭ Fixed Projected Out Jamb

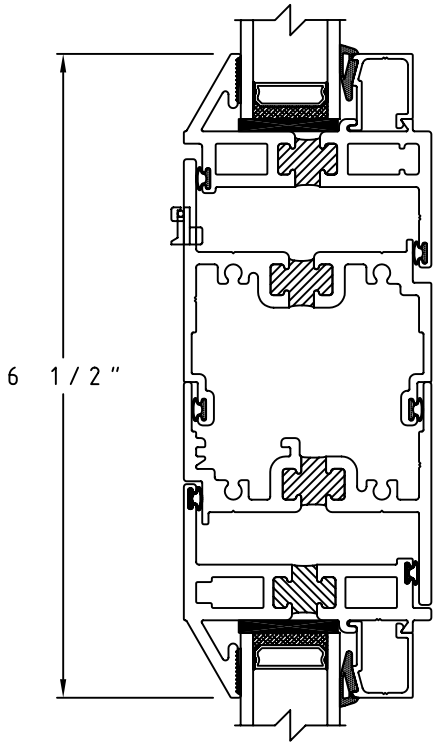


①A 2 1/2" Flange Head Detail

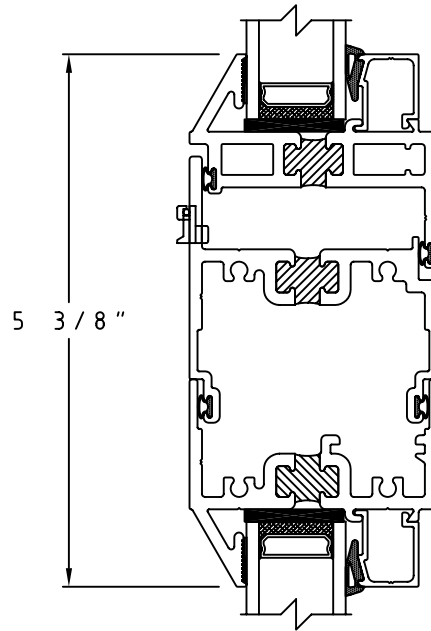


③A 2 1/2" Flange Jamb Detail

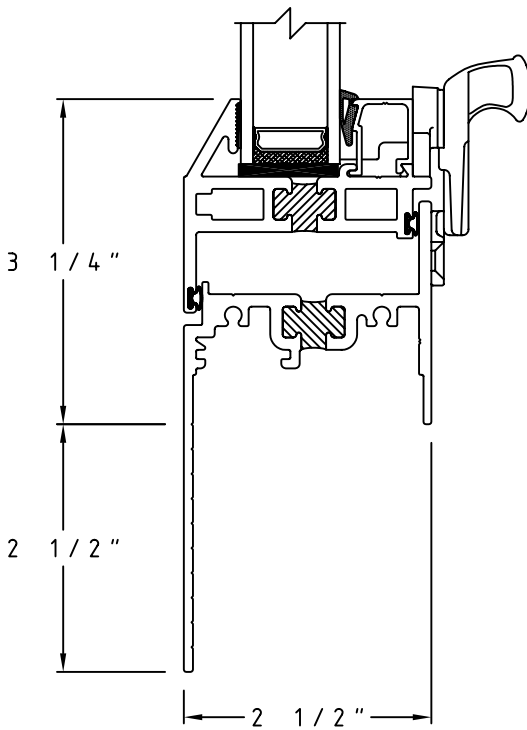
SCALE: HALF



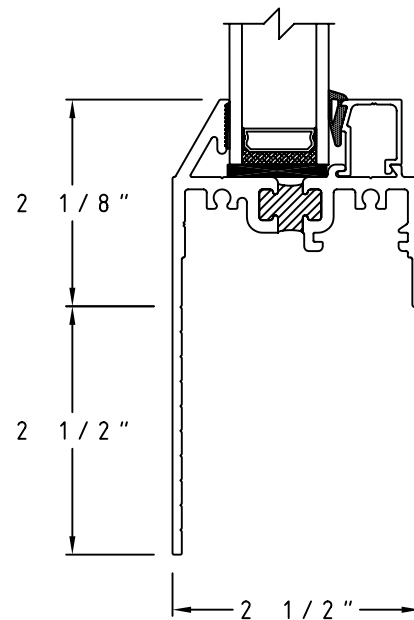
4A Projected In/Projected Out with Male-Female Mullion



6A Projected In/Fixed with Male-Female Mullion

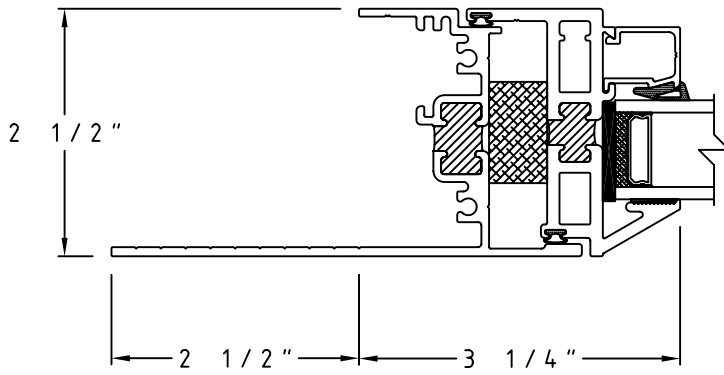


5A 2 1/2" Flange Sill Projected Out Detail

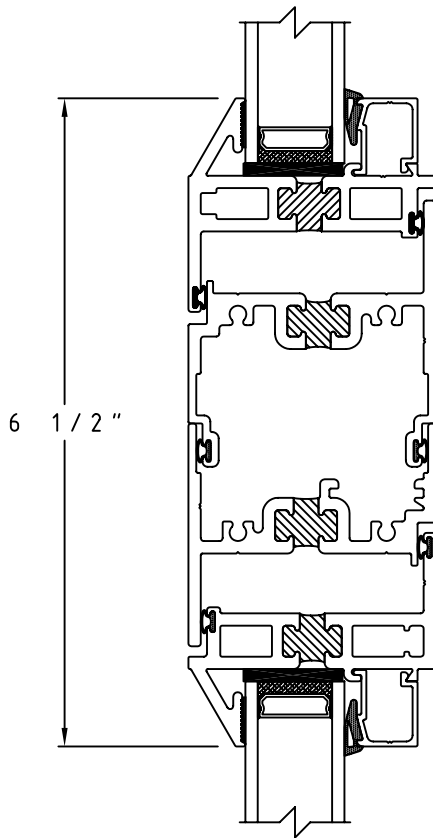


7A 2 1/2" Flange Fixed Sill Detail

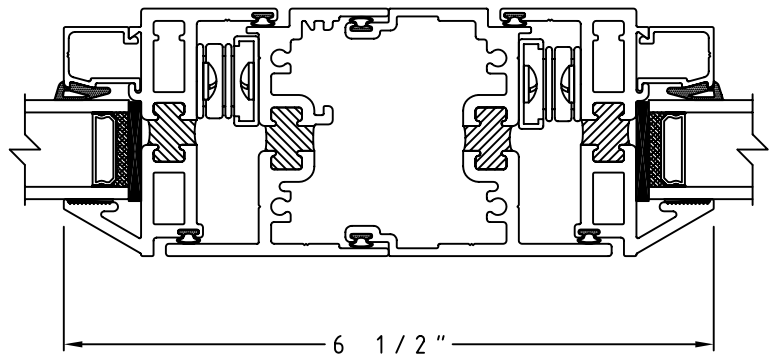
SCALE: HALF



8A 2 1/2" Flange Fixed Jamb Detail



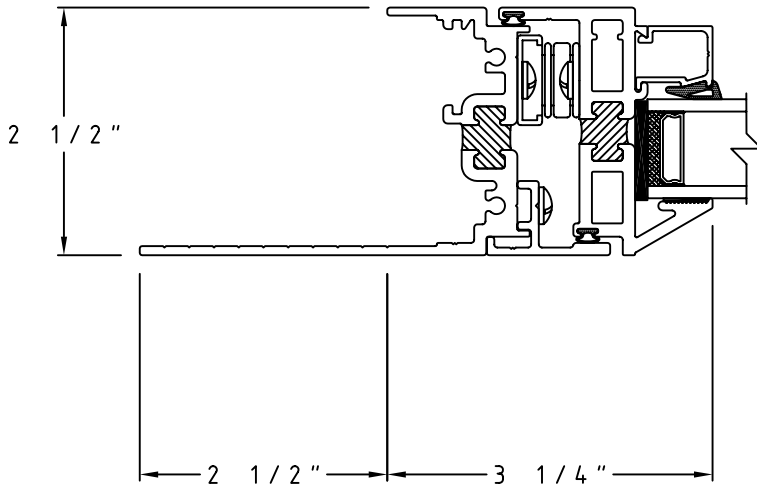
9A Fixed/Projected In with Male-Female Mullion



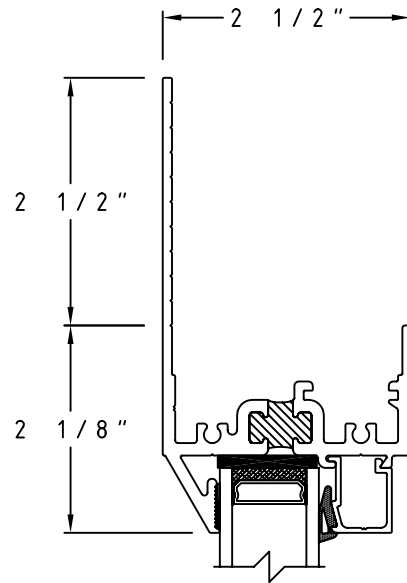
10A Projected In/Projected In with Male-Female Mullion



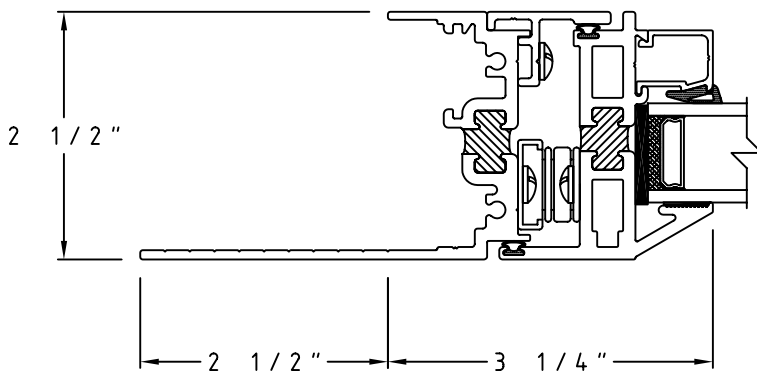
SCALE: HALF



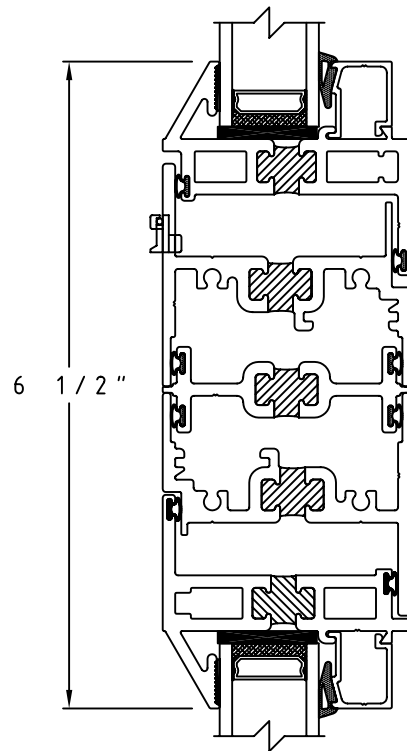
(11A) 2 1/2" Flange Projected In Jamb Detail



(13A) 2 1/2" Fixed Flange Head

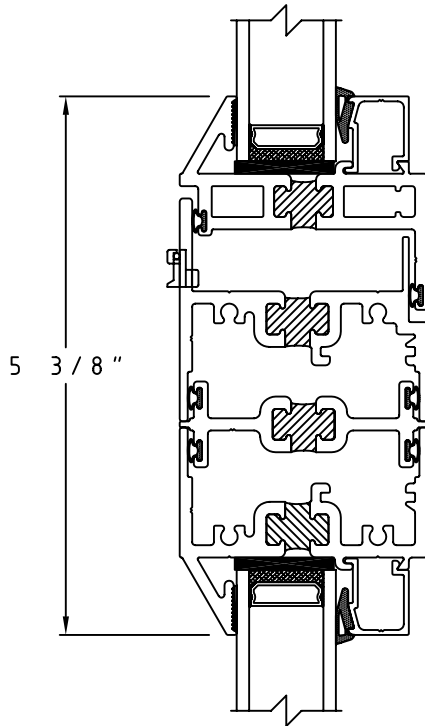


(12A) 2 1/2" Flange Projected Out Jamb Detail

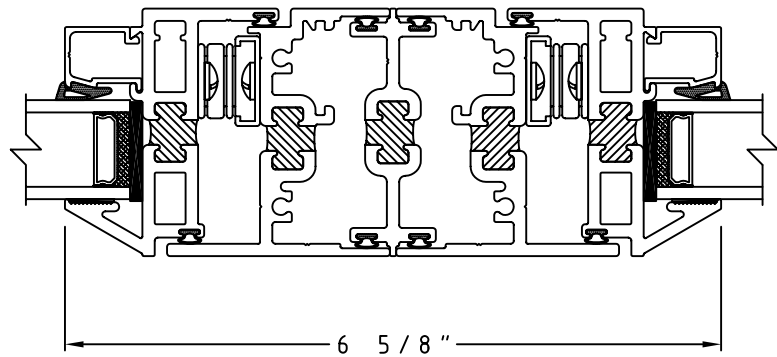


(4B) Projected In/Projected Out with H Mullion

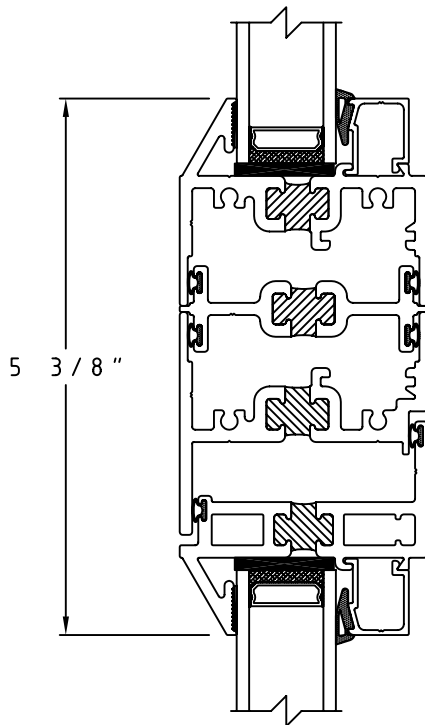
SCALE: HALF



6B Projected In/Fixed with H Mullion



10B Projected In/Projected In with H Mullion



9B Fixed/Projected In with H Mullion