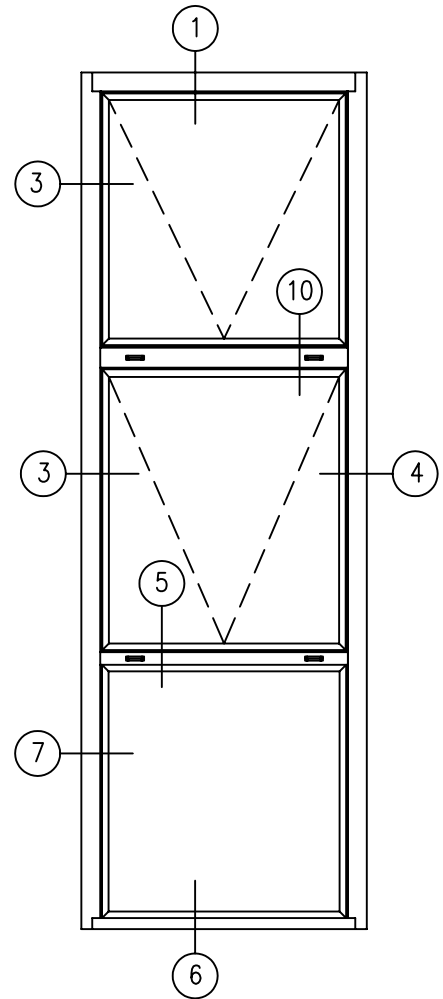
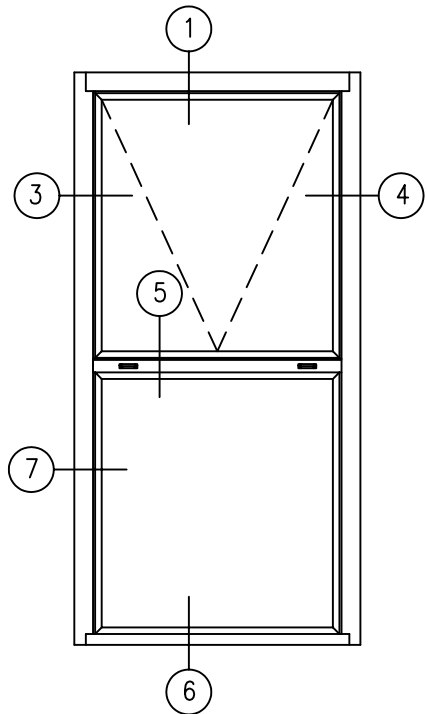


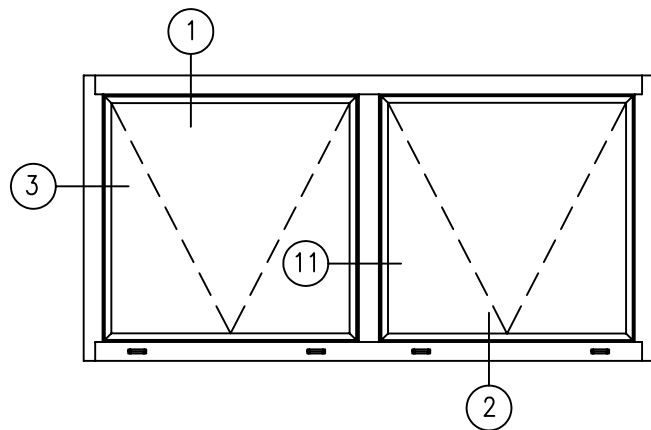
Projected In



Projected In/Projected In/
Fixed Continuous Frame



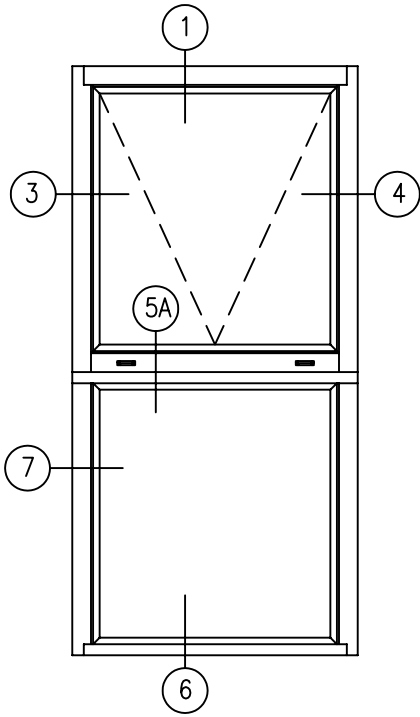
Projected In/Fixed
Continuous Frame



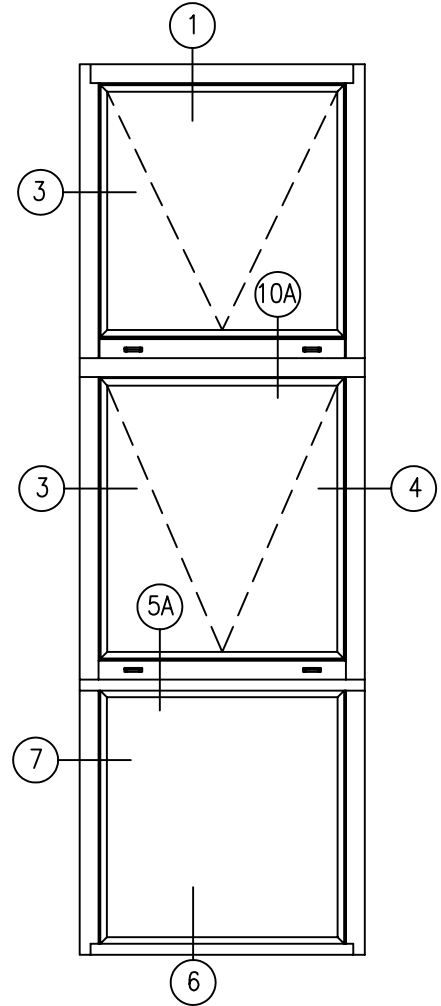
Projected In/Projected In
Continuous Frame

All Elevations are viewed outside looking in.

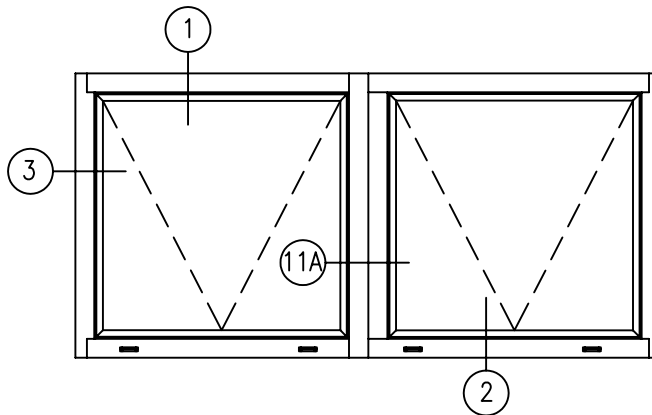
SCALE: NONE



Projected In/Fixed
with Male-Female Mullion



Projected In/Projected In/Fixed
with Male-Female Mullion



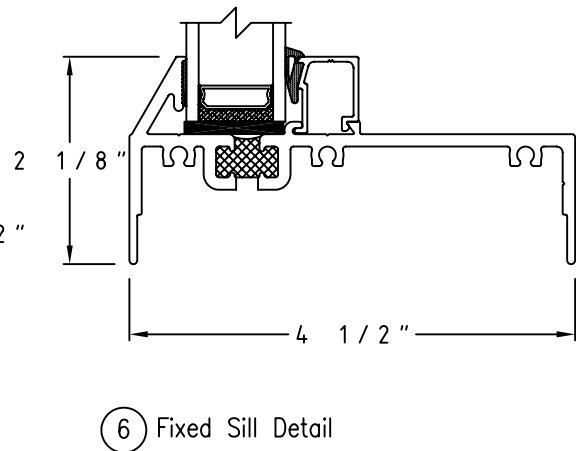
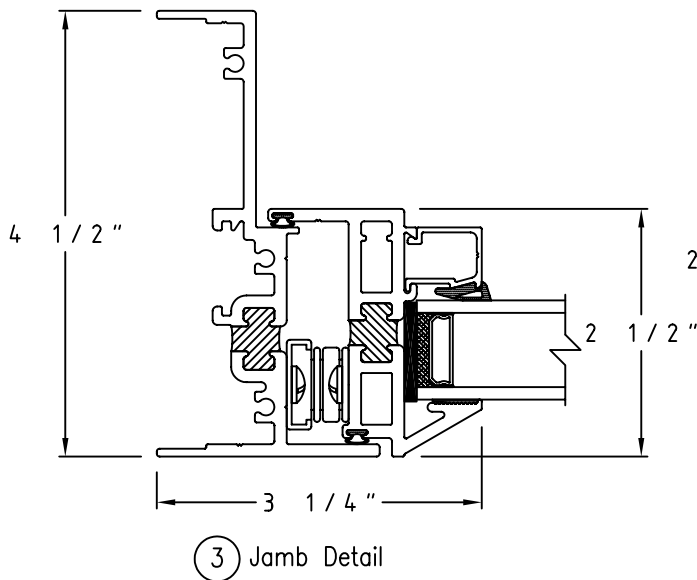
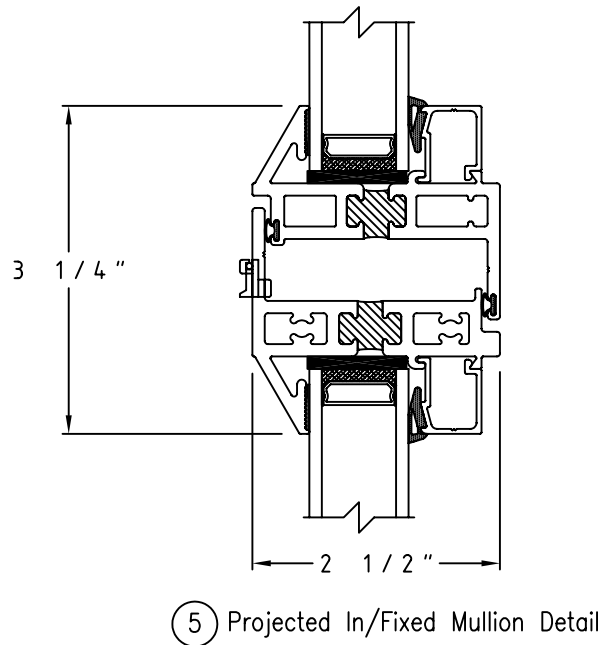
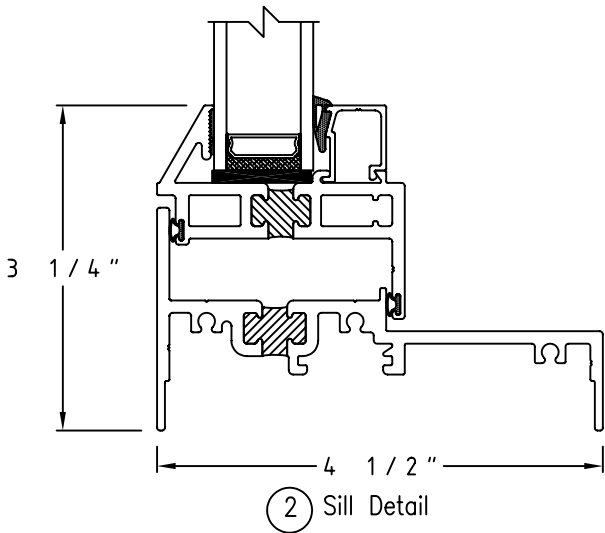
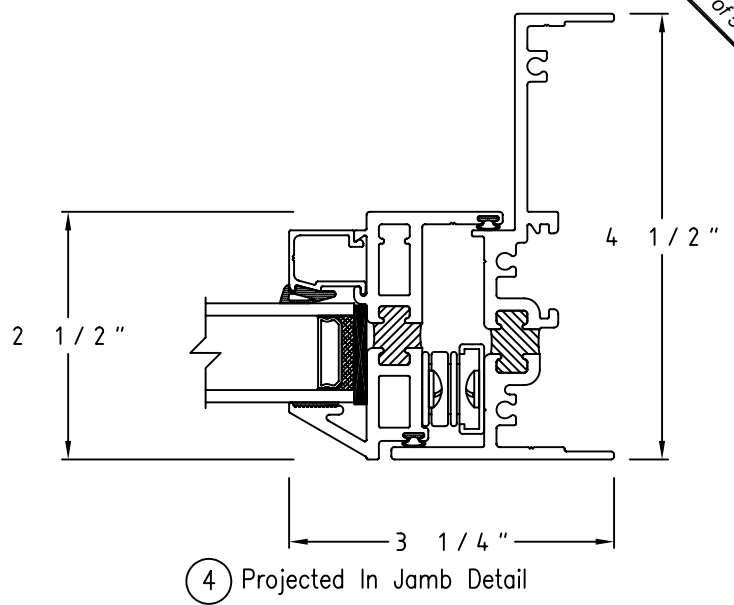
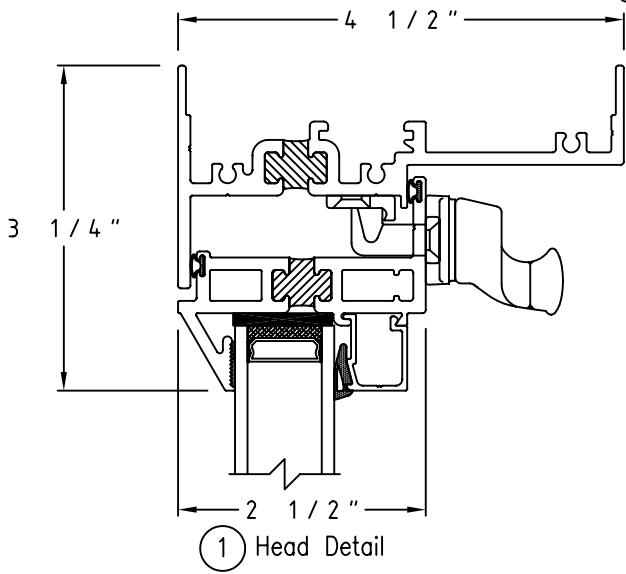
Projected In/Projected In
with Male-Female Mullion

All Elevations are viewed outside looking in.

Champion Series 5245

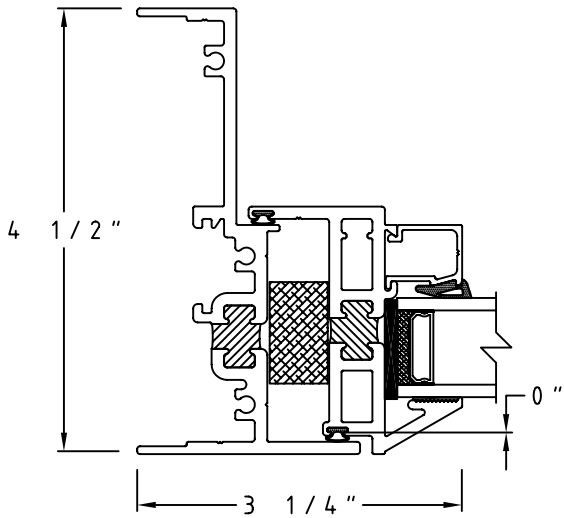
Sheet 3 of 5

SCALE: HALF

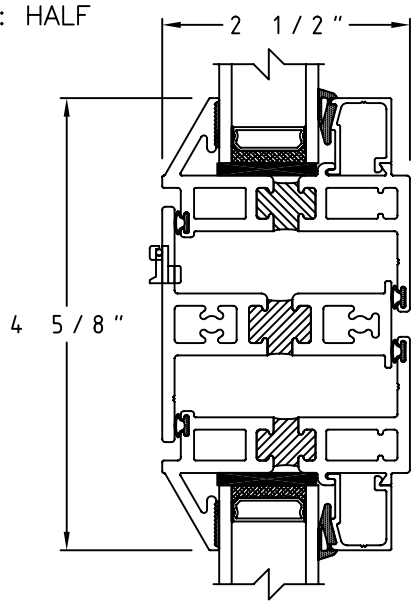


Champion Series 5245

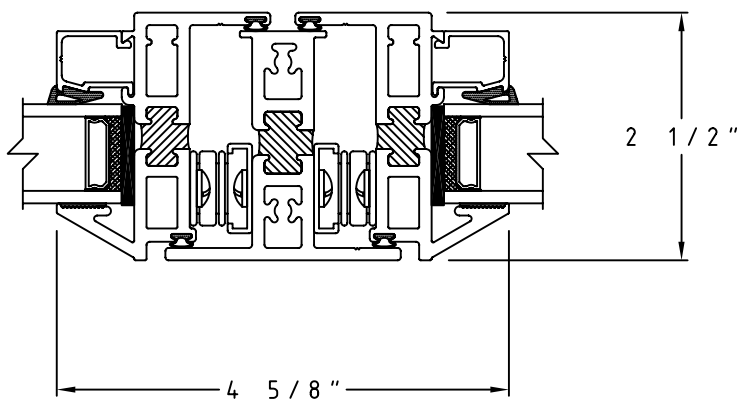
SCALE: HALF



⑦ Fixed Jamb Detail

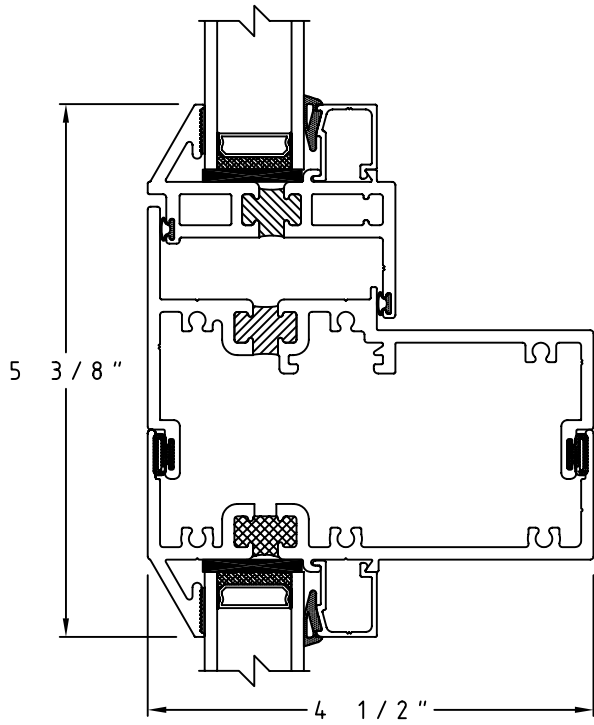


⑩ Projected In/Projected In Mullion Detail

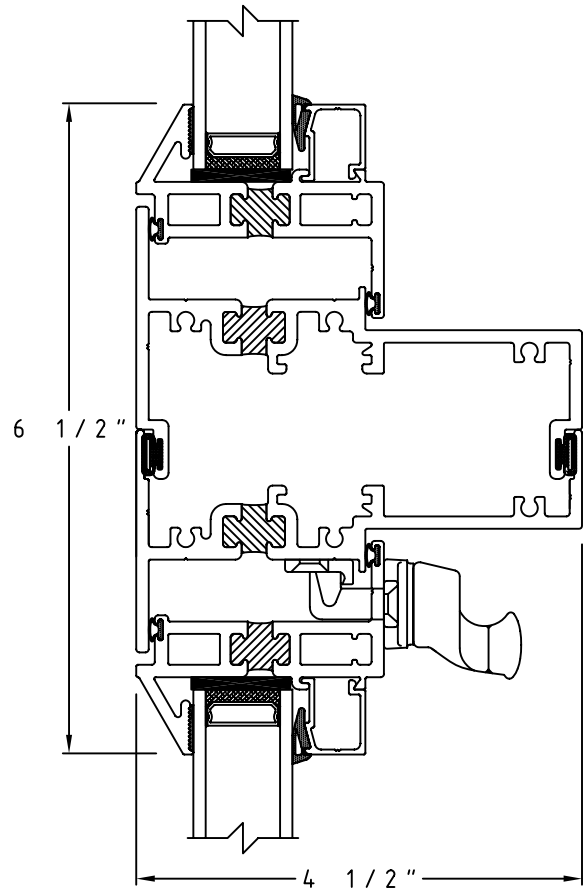


⑪ Projected In/Projected In Mullion Detail

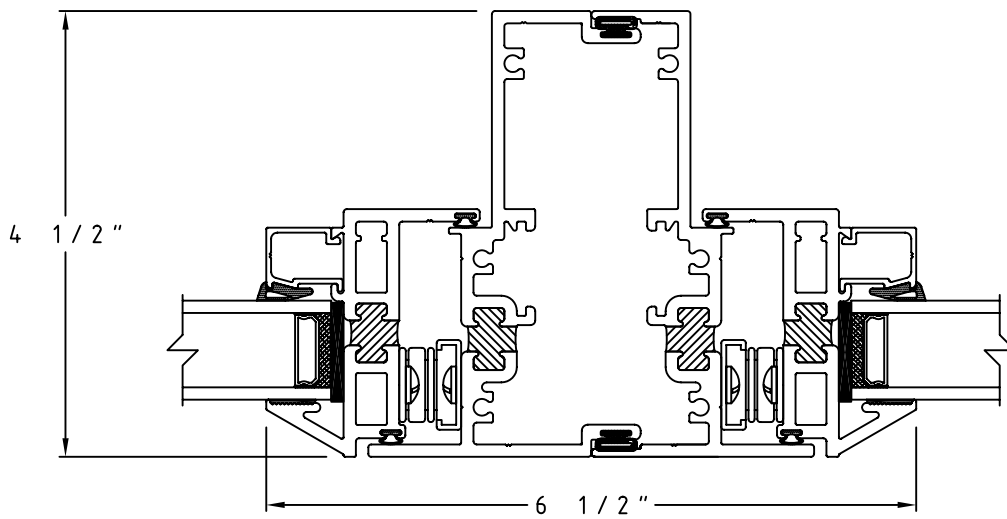
SCALE: HALF



5A Projected In/Fixed Detail with Male-Female Mullion



10A Projected In/Projected In Detail with Male-Female Mullion



11A Projected In/Projected In Detail with Male-Female Mullion