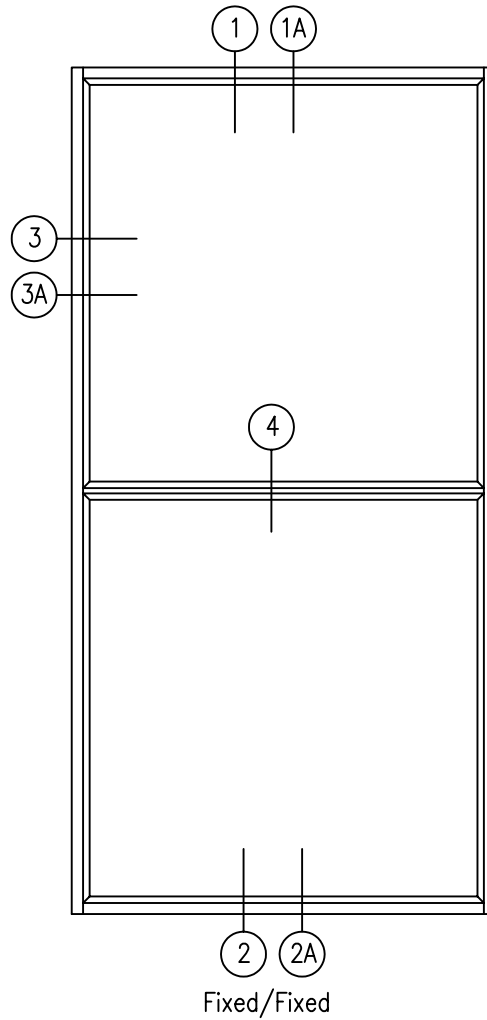
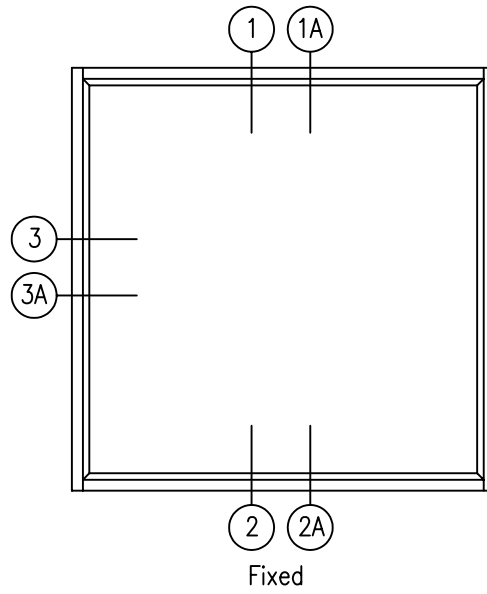
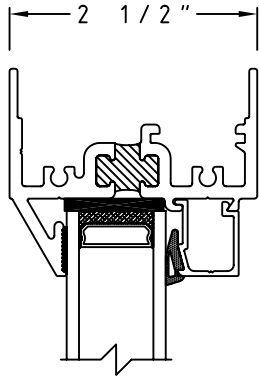


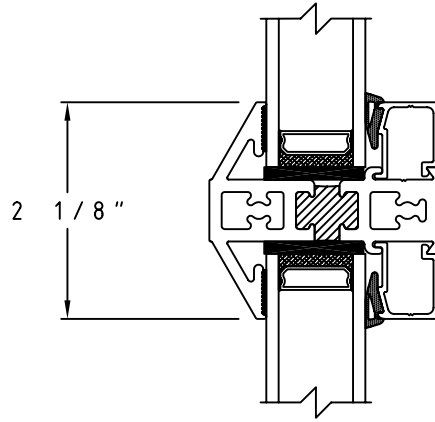
SCALE: NONE



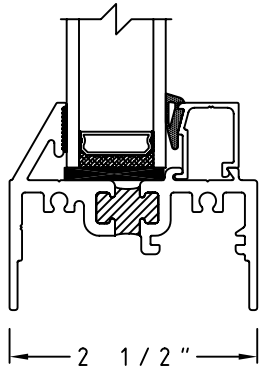
All Elevations are viewed outside looking in.



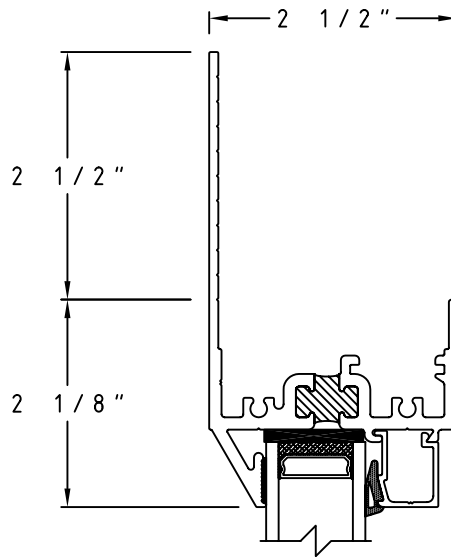
① Head Detail



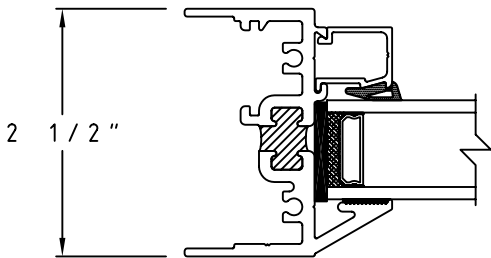
④ Horizontal True Muntin Detail



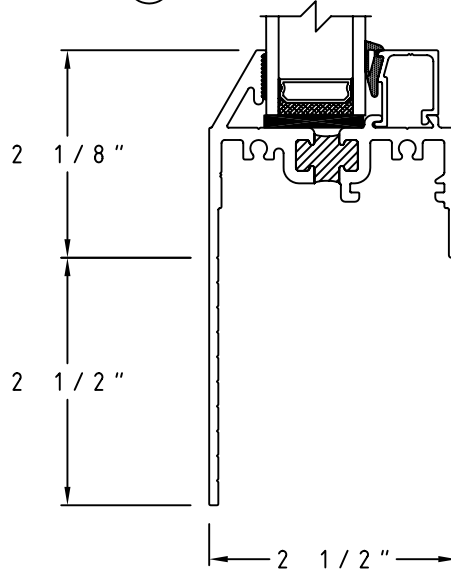
② Sill Detail



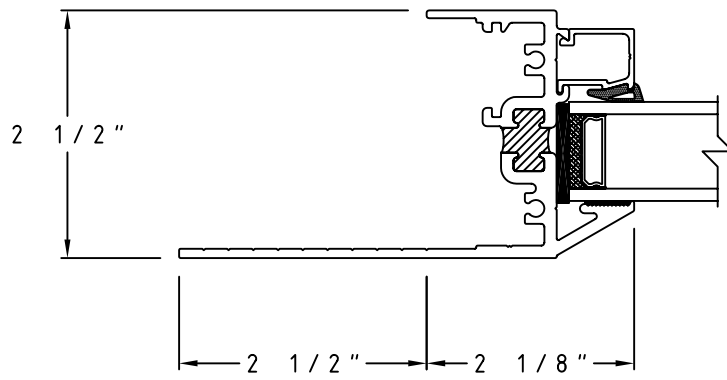
①A 2 1/2" Flange Head Detail



③ Jamb Detail



②A 2 1/2" Flange Sill Detail



③A 2 1/2" Flange Jamb Detail