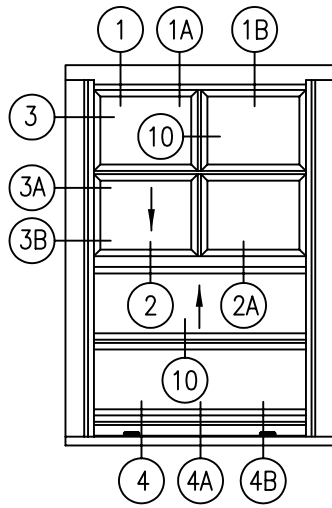
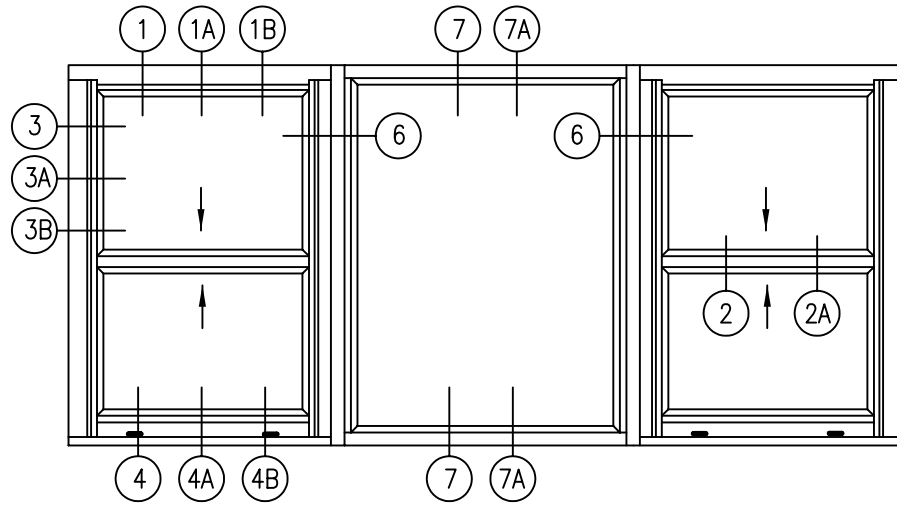


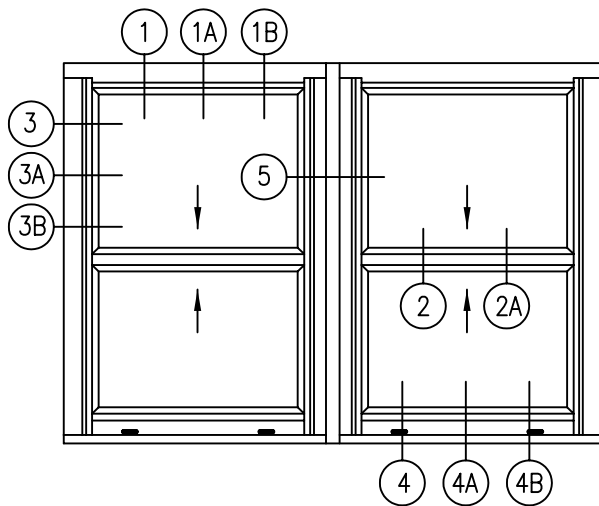
SCALE: NONE



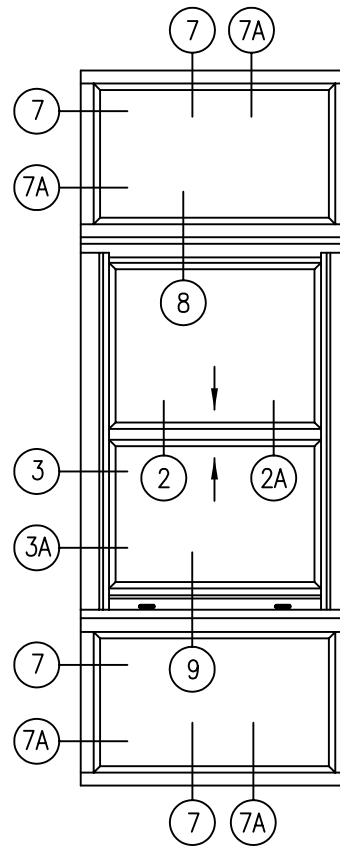
Double Hung



Double Hung/Fixed/Double Hung



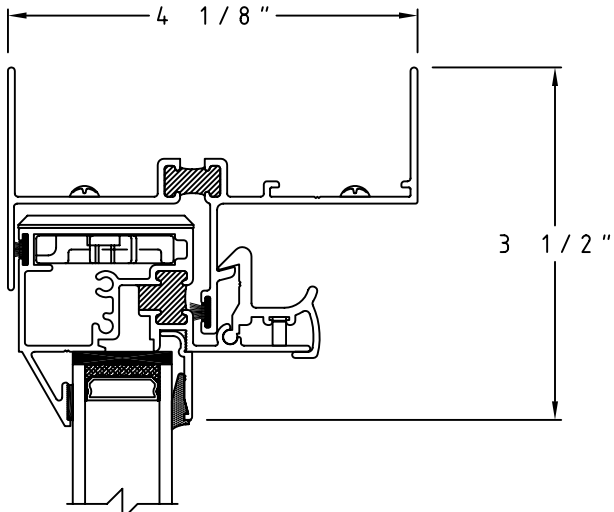
Twin Double Hung with H Mullion



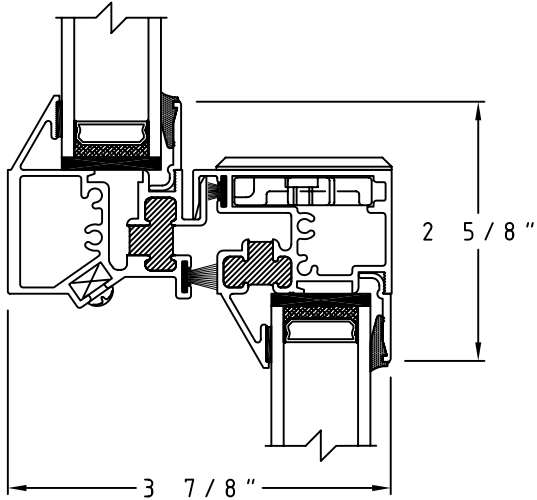
Double Hung with Top and Bottom Transoms

All Elevations are viewed outside looking IN.

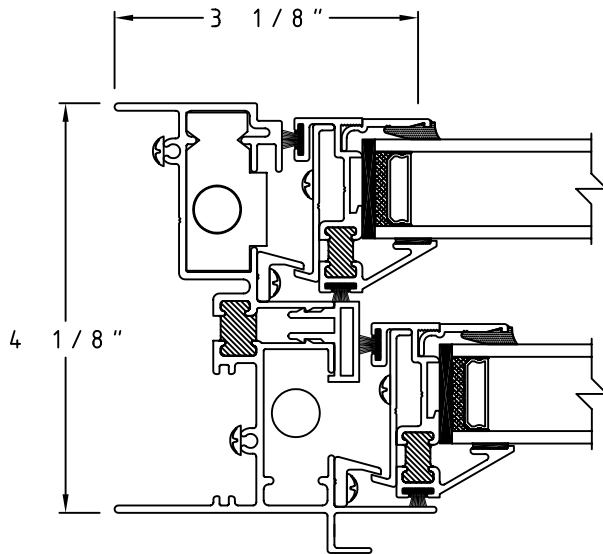
SCALE: HALF



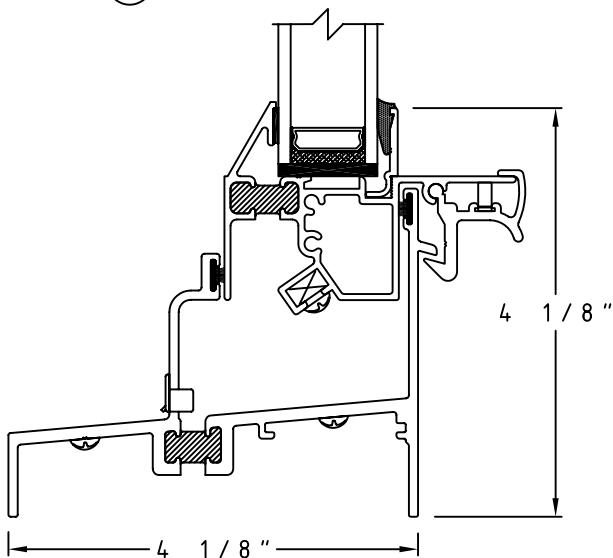
① Head Detail



② Meeting Rail Detail

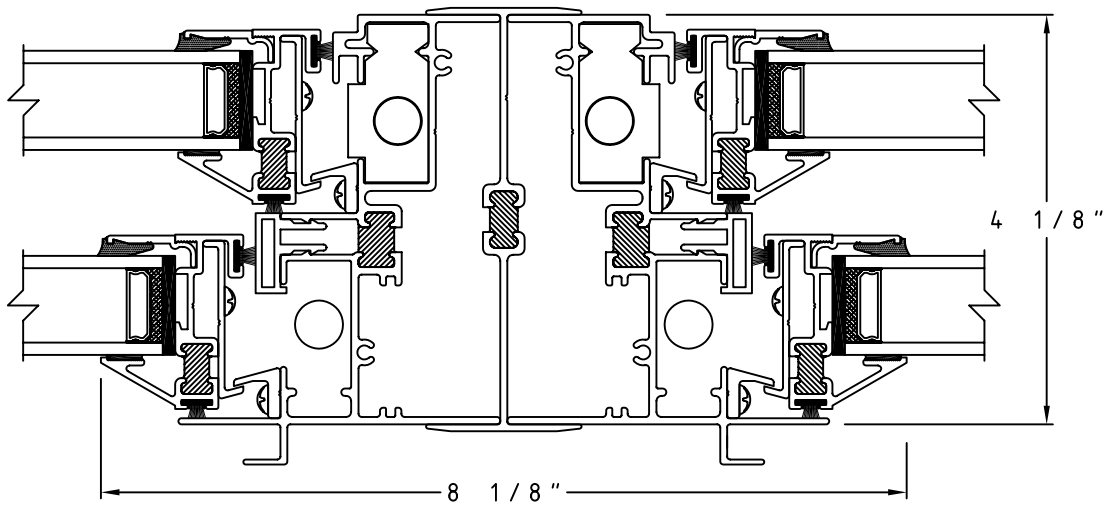


③ Jamb Detail

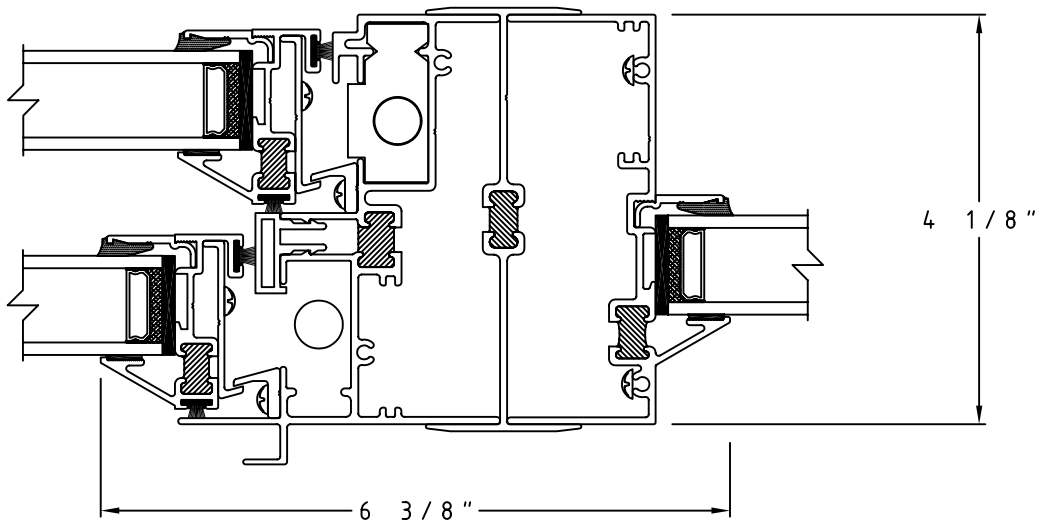


④ Sill Detail

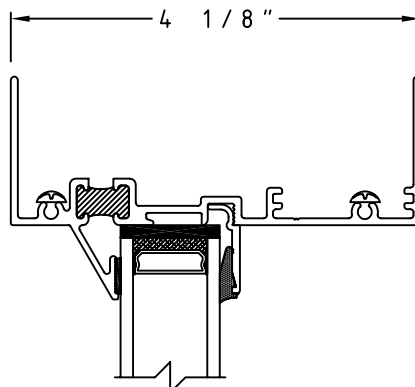
SCALE: HALF



⑤ Vertical H Mullion Detail

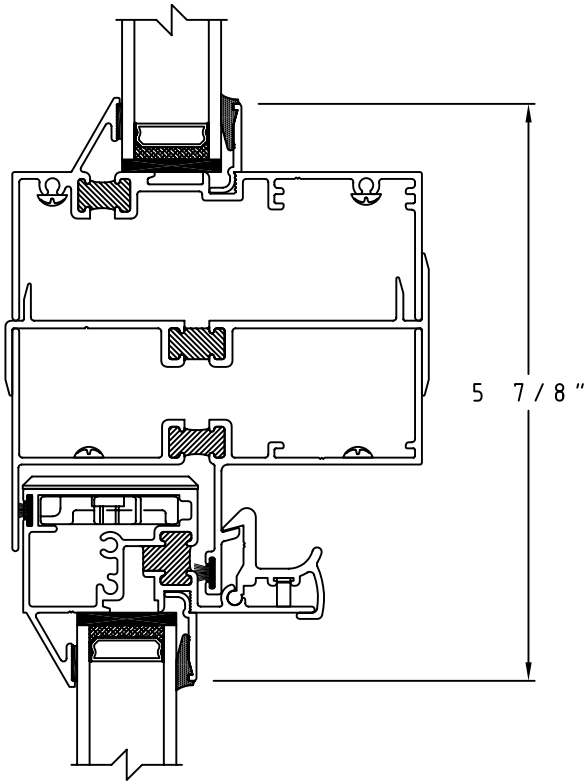


⑥ Double Hung/Fixed with Vertical H Mullion Detail

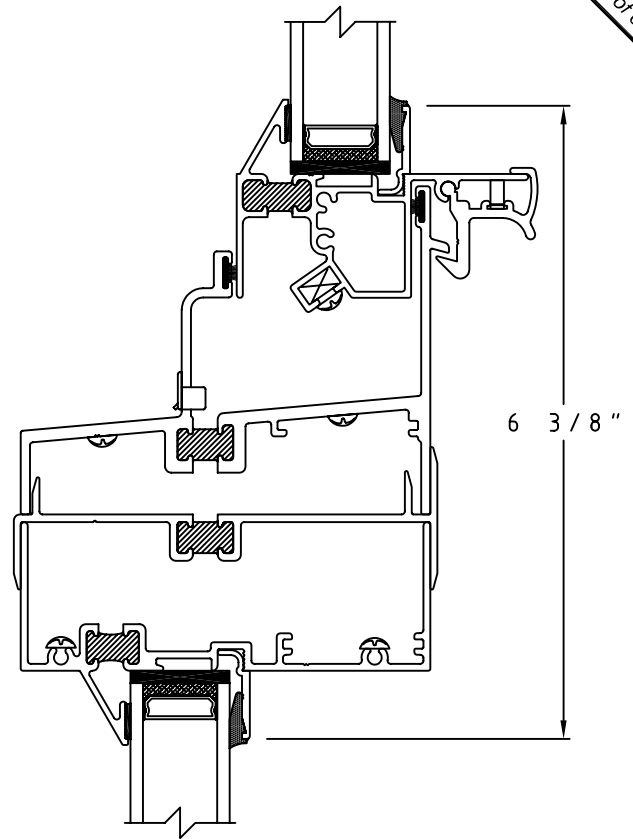


⑦ Fixed Head/Jamb/Sill Detail

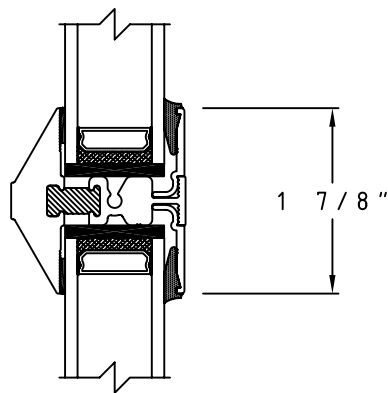
SCALE: HALF



⑧ Fixed Over Double Hung Detail

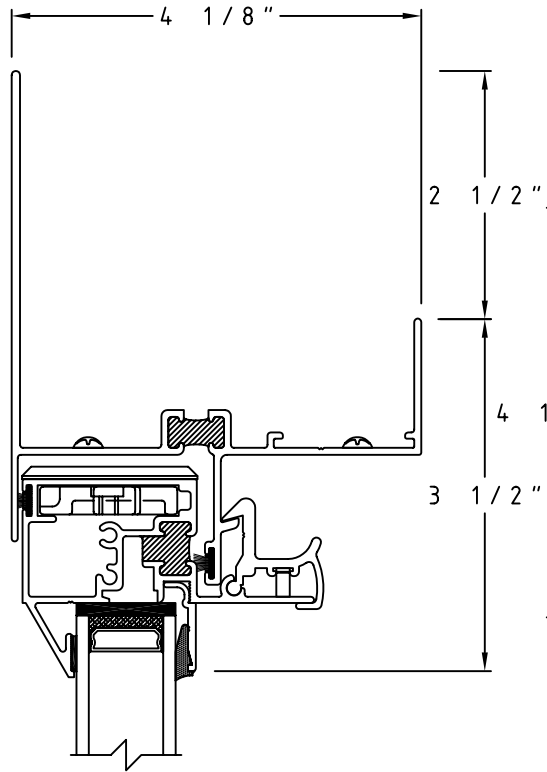


⑨ Double Hung Over Fixed Detail

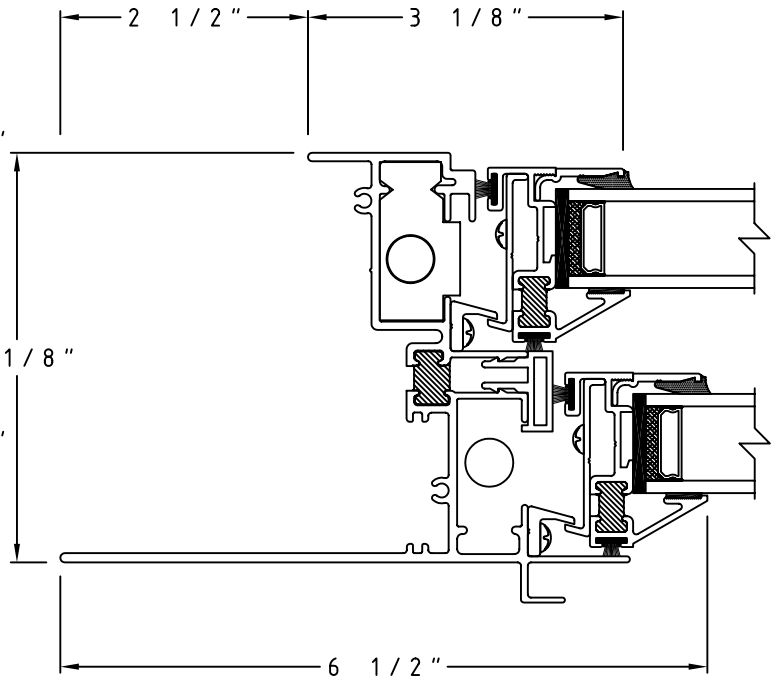


⑩ True Muntin Detail
(Horizontal/Vertical)

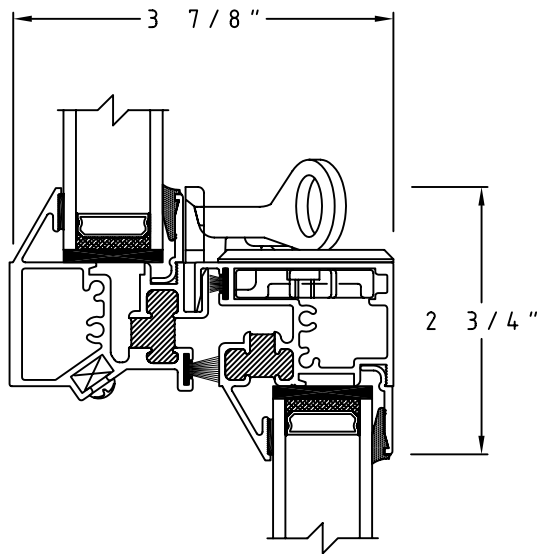
SCALE: HALF



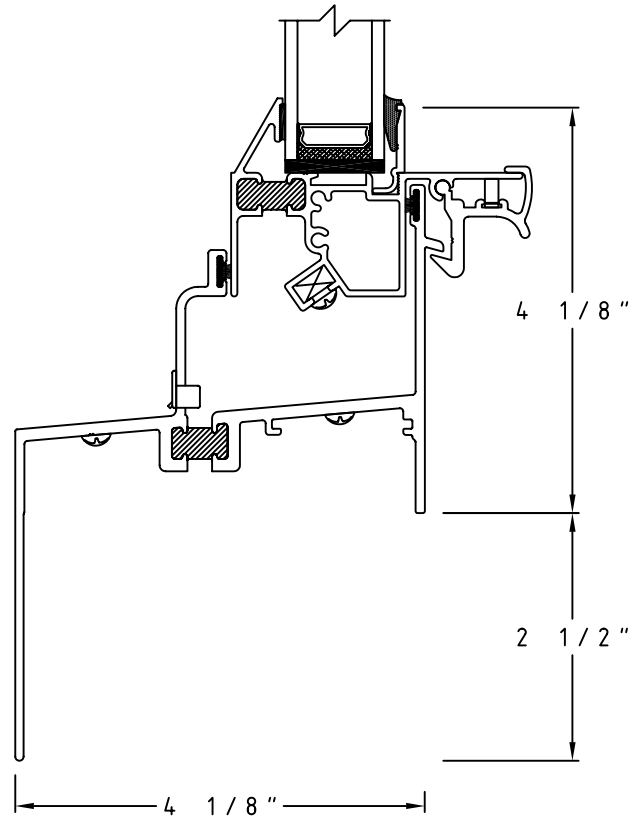
1A 2 1/2" Flange Frame Head



3A 2 1/2" Flange Frame Jamb Detail

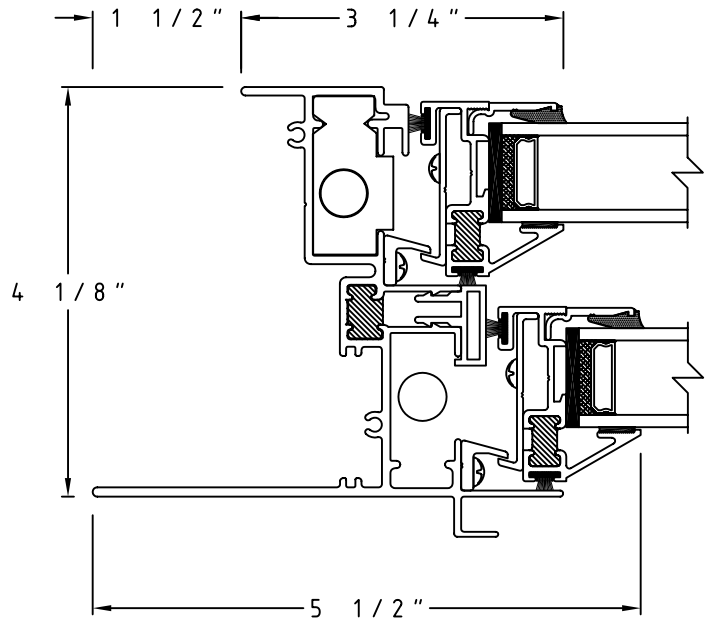
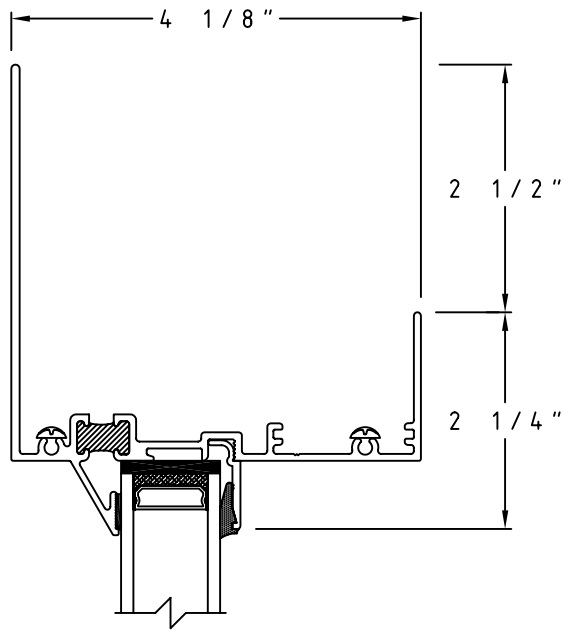


2A Optional Meeting Rail with Latch Detail



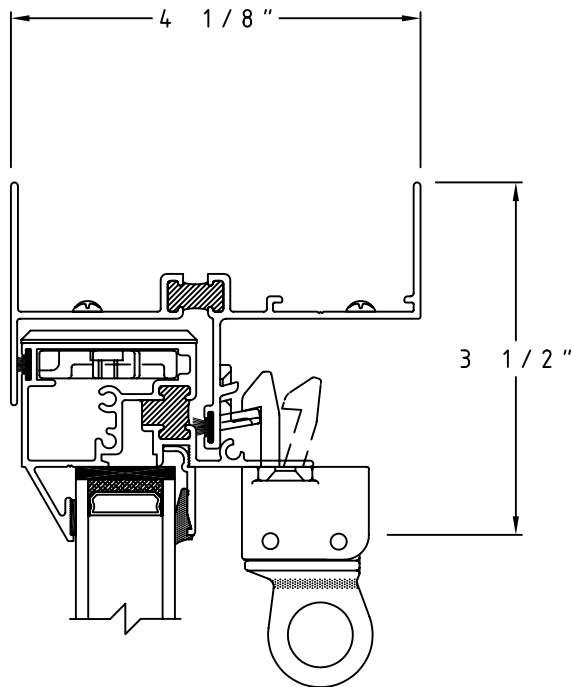
4A 2 1/2" Flange Frame Sill Detail

SCALE: HALF

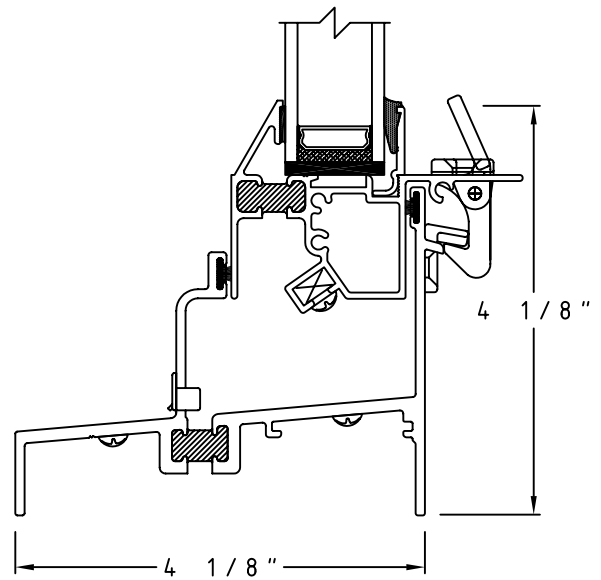


7A) 2 1/2" Flange Frame Fixed Head/Jamb/Sill Detail

3B) 1 1/2" Flange Frame Jamb Detail



1B) Optional Head with Pole Ring Latch Detail



4B) Optional Sill with Latch Detail