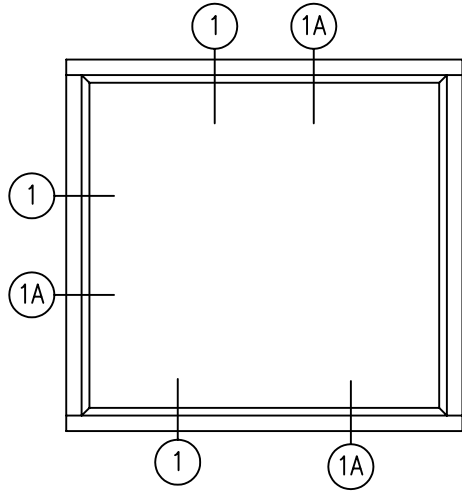
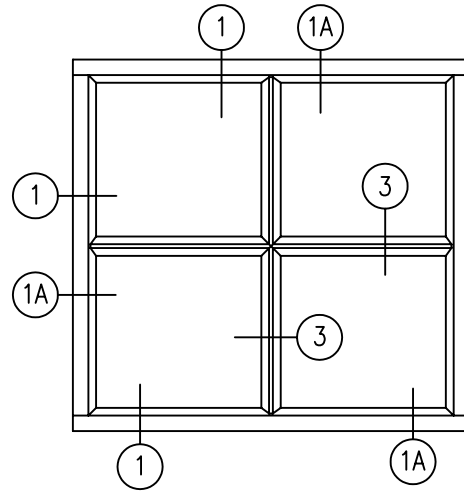


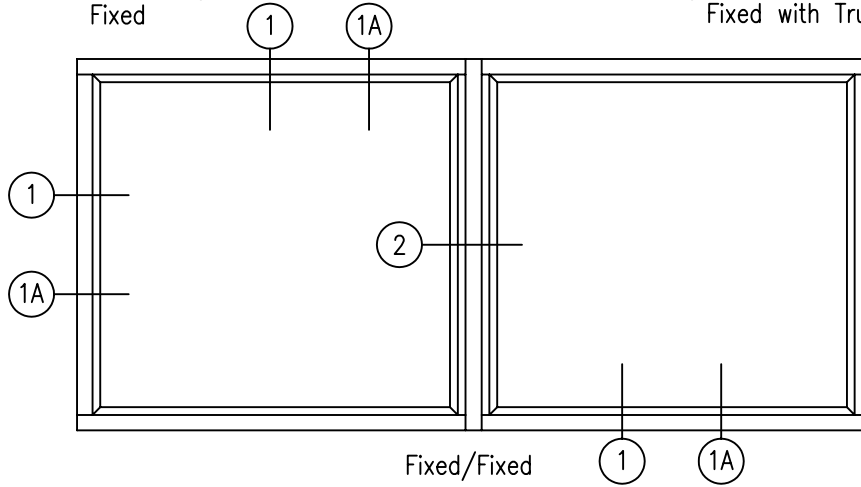
SCALE: NONE



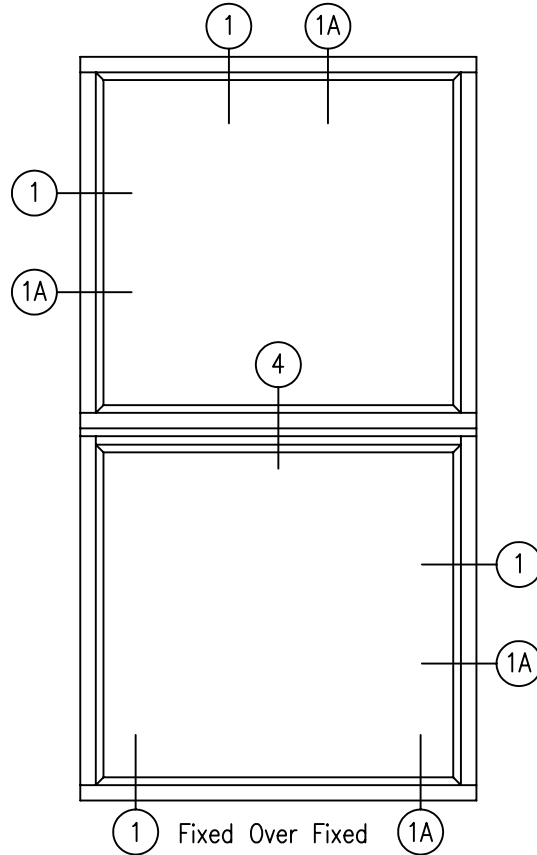
Fixed



Fixed with True Muntin



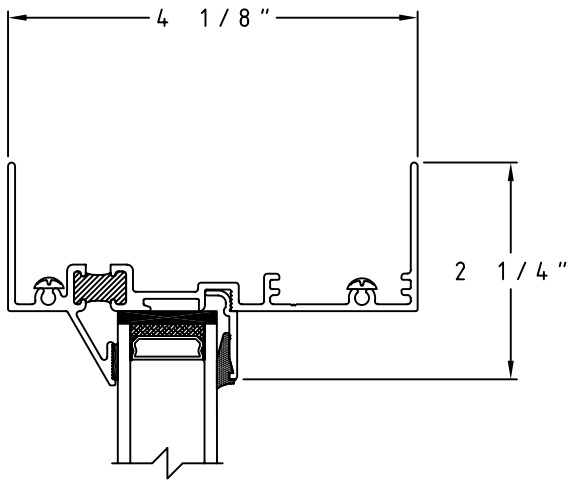
Fixed/Fixed



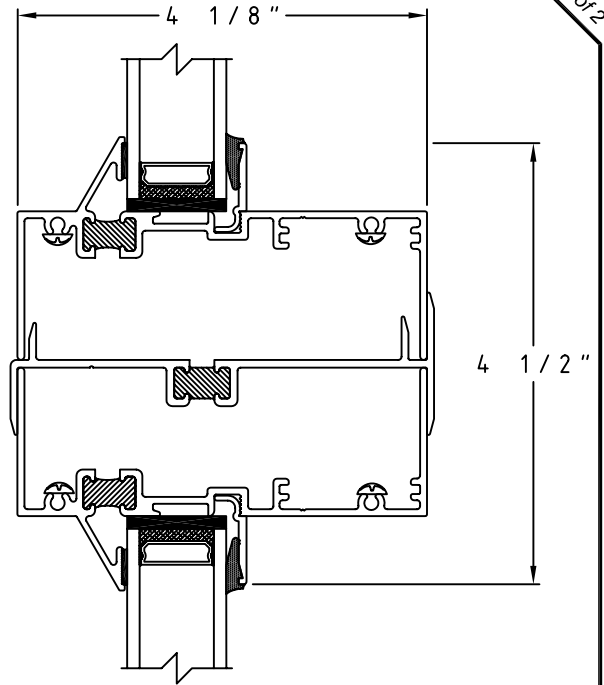
Fixed Over Fixed

All Elevations are viewed outside looking IN.

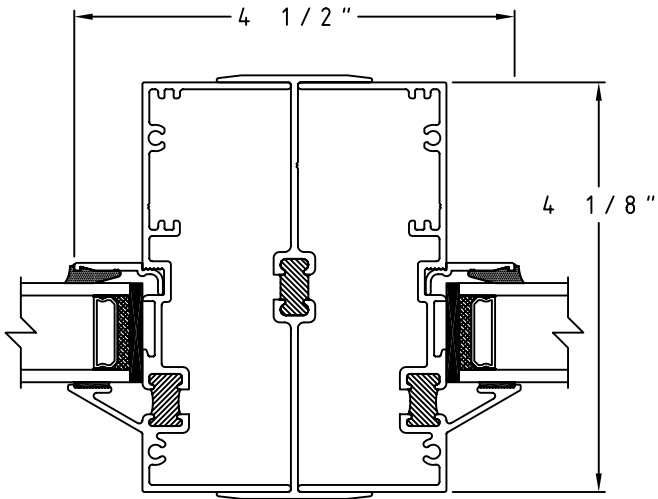
SCALE: HALF



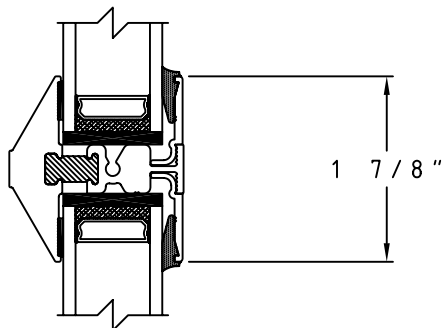
① Fixed Frame Head/Sill/Jamb Detail



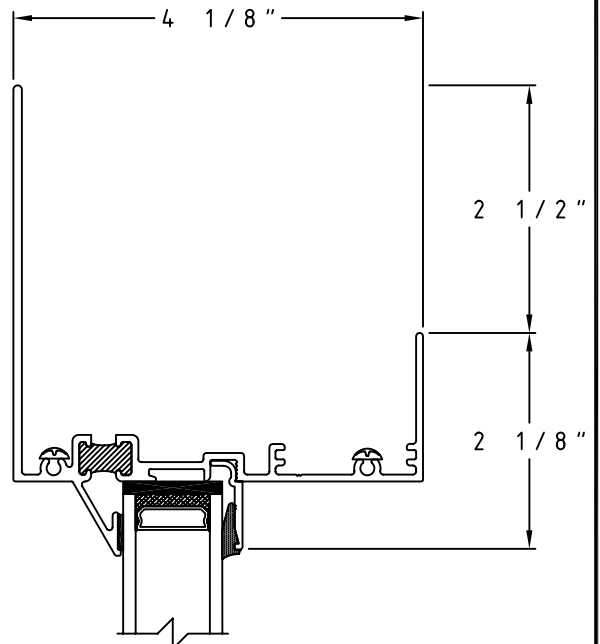
④ Fixed Over Fixed Detail



② Fixed/Fixed H Mullion Detail



③ True Muntin Detail (Horizontal/Vertical)



①A 2 1/2" Flange Frame Fixed Head/Sill/Jamb Detail