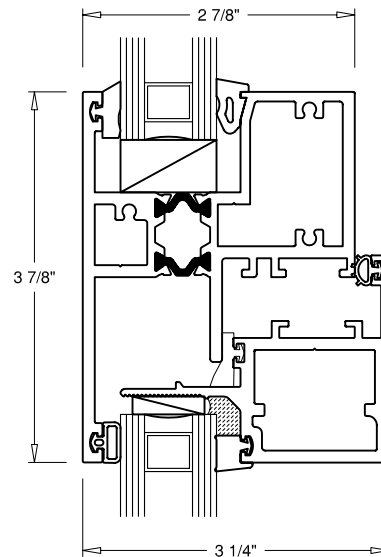
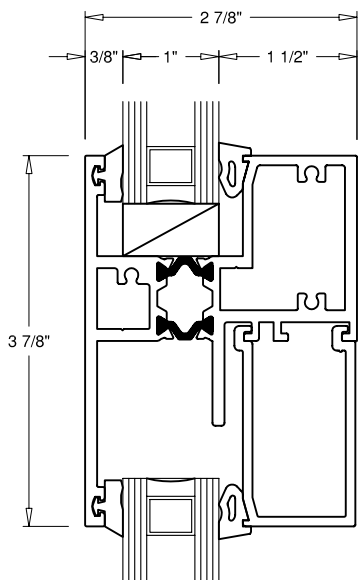


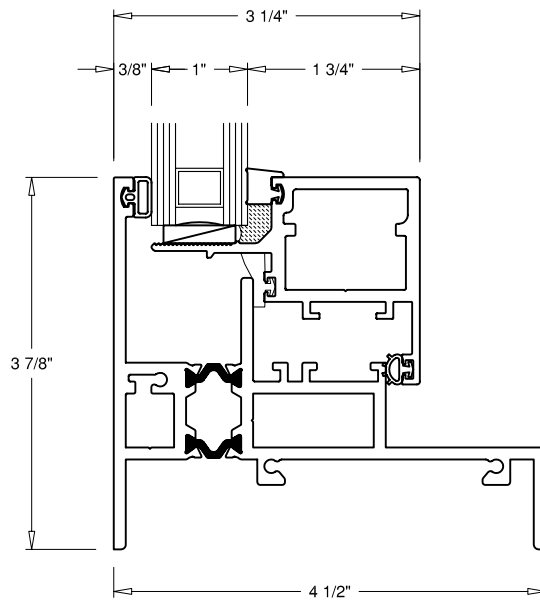
① **HEAD**  
**FIXED**



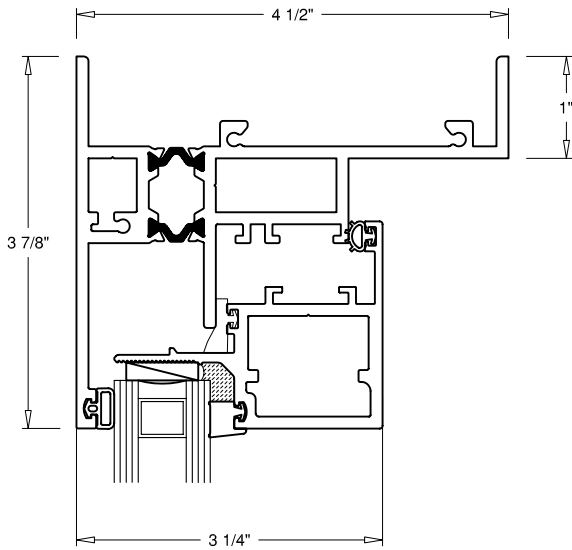
③ **INT. MULLION**  
**FIXED OVER OPERABLE**



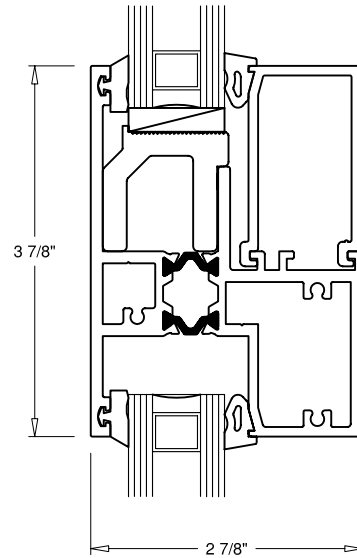
② **INT. MULLION**  
**FIXED OVER FIXED**



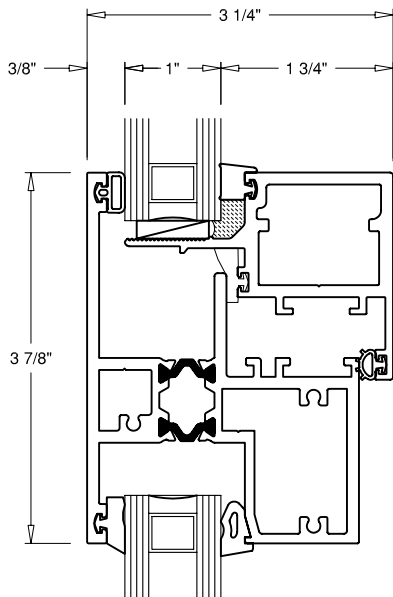
④ **SILL**  
**OPERABLE**



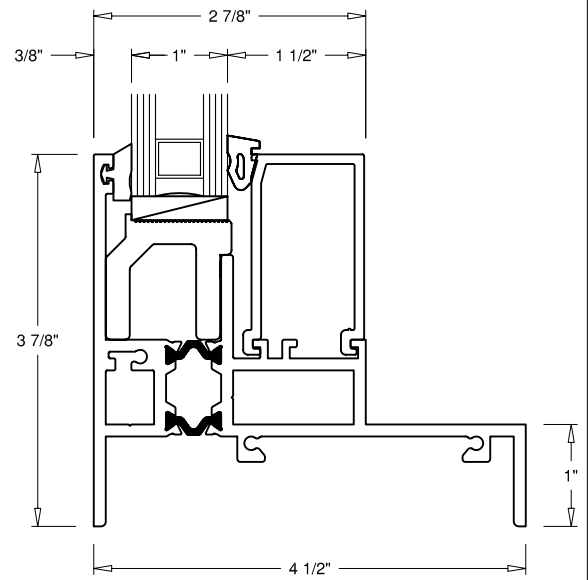
5 HEAD  
OPERABLE



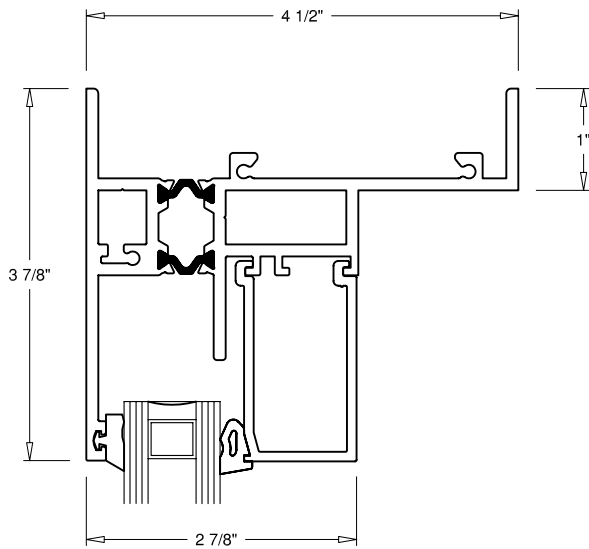
7 INT. MULLION  
FIXED OVER FIXED



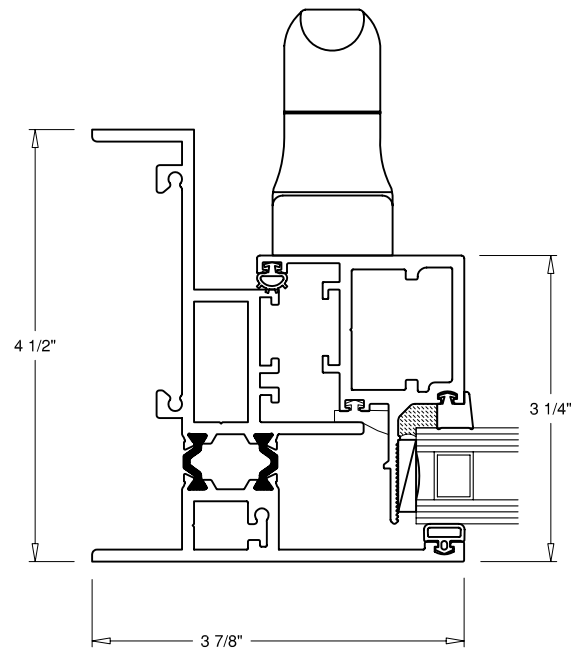
6 INT. MULLION  
OPERABLE OVER FIXED



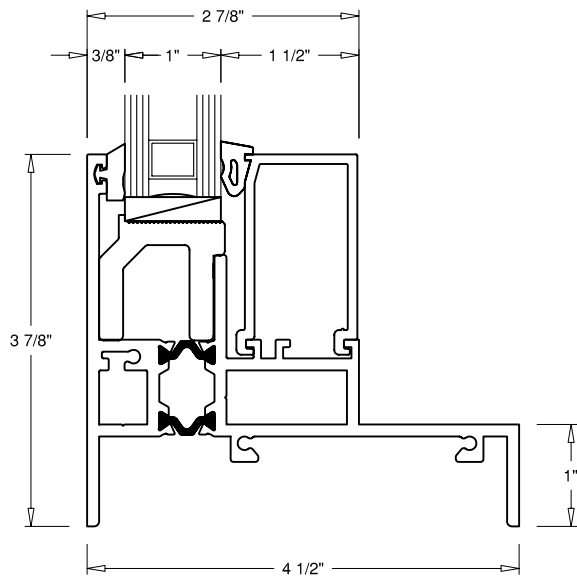
8 SILL  
FIXED



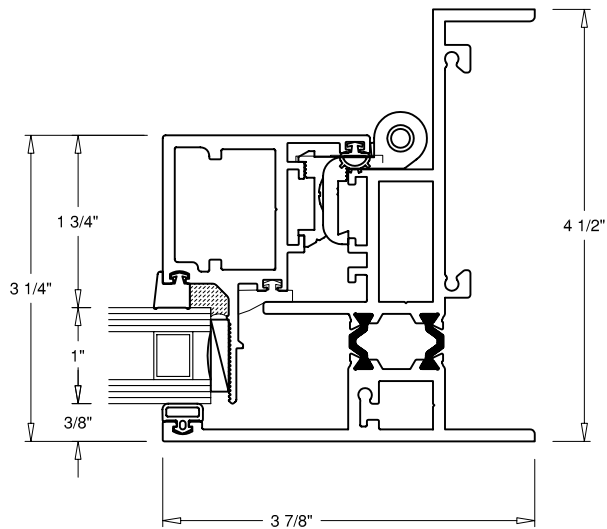
9 HEAD  
FIXED



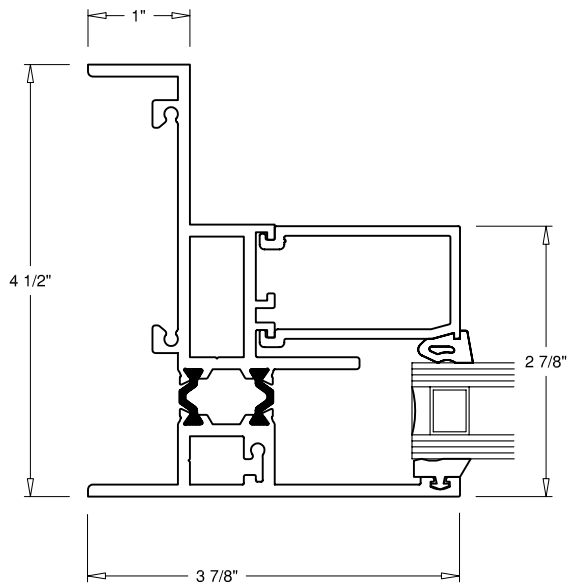
11 JAMB  
OPERABLE (HANDLE SIDE)



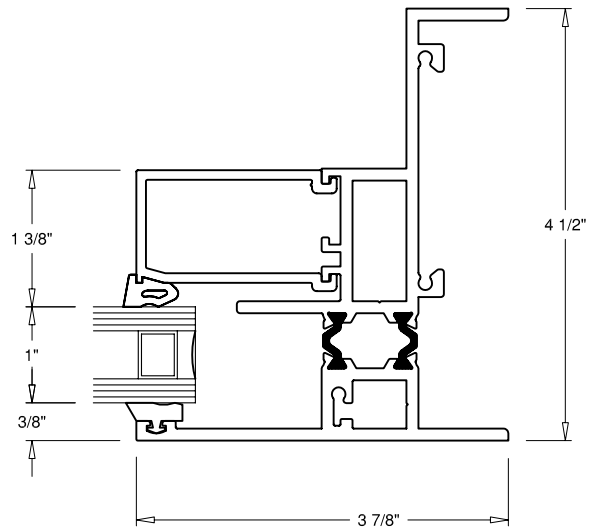
10 SILL  
FIXED



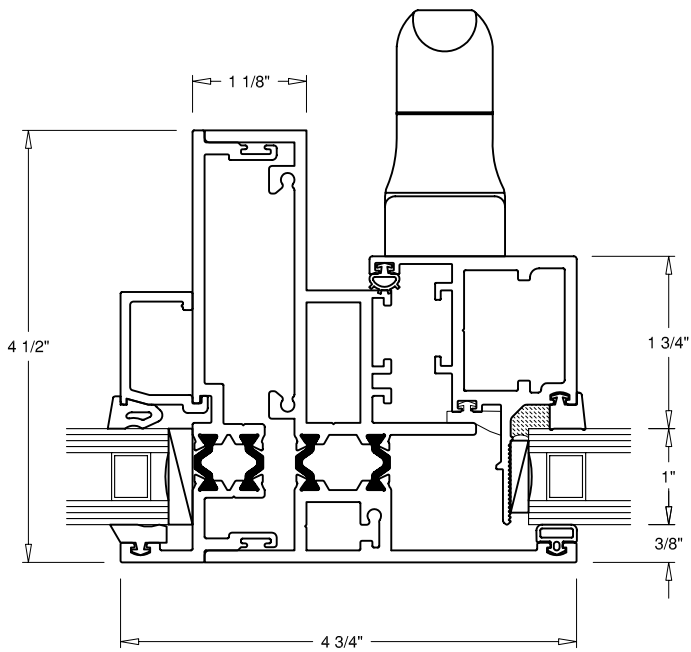
12 JAMB  
OPERABLE (HINGE SIDE)



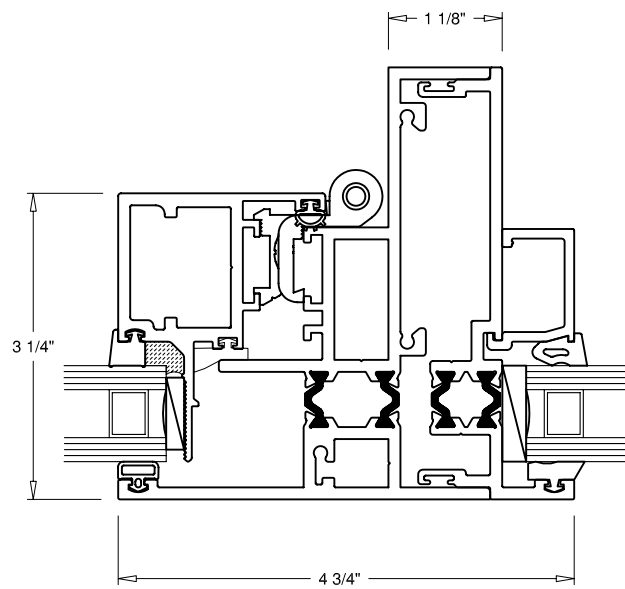
⑬ **JAMB**  
**FIXED**



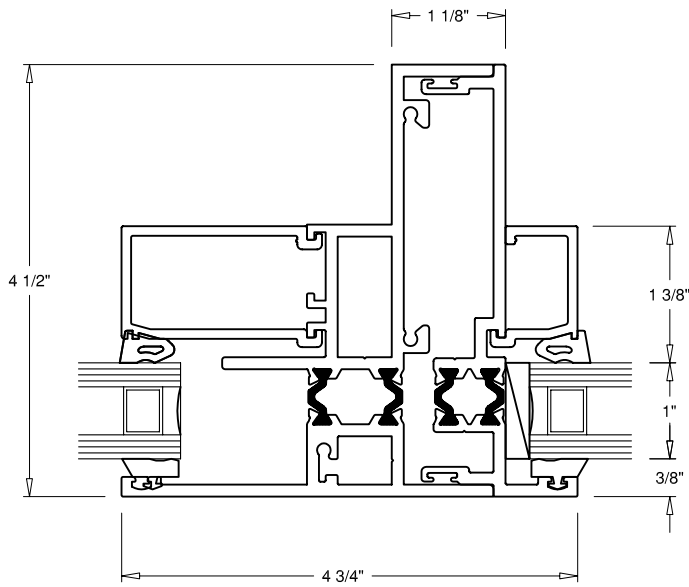
⑭ **JAMB**  
**FIXED**



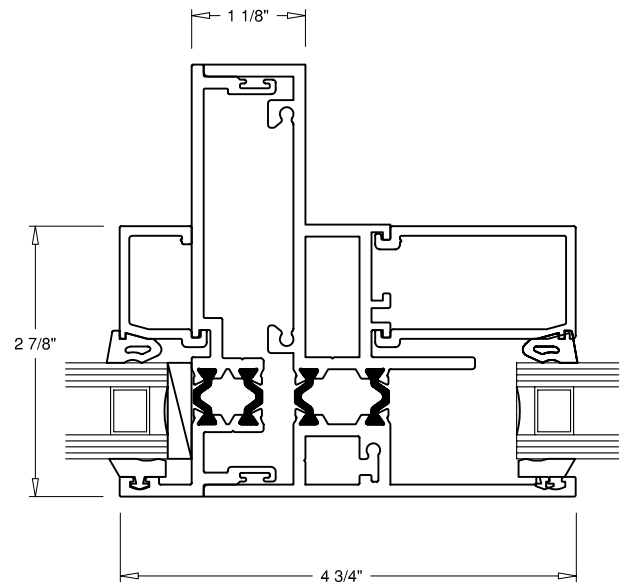
⑮ **MULLION**  
**FIXED TO OPERABLE**



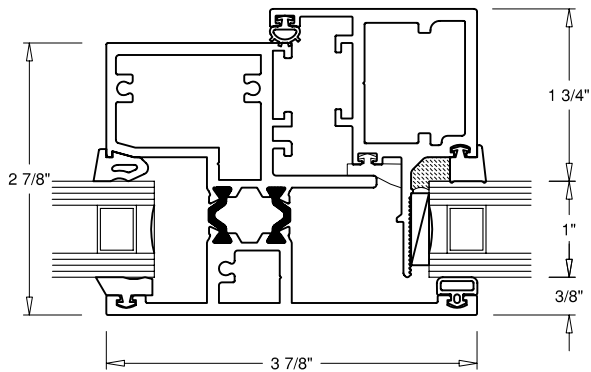
⑯ **MULLION**  
**OPERABLE TO FIXED**



17 **MULLION**  
FIXED TO FIXED



18 **MULLION**  
FIXED TO FIXED



19 **INT. MULLION**  
FIXED TO OPERABLE