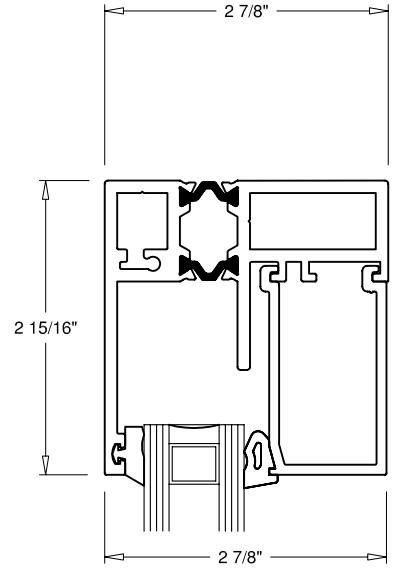
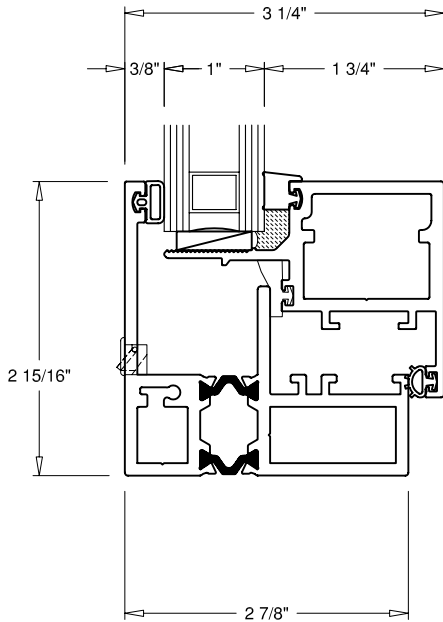


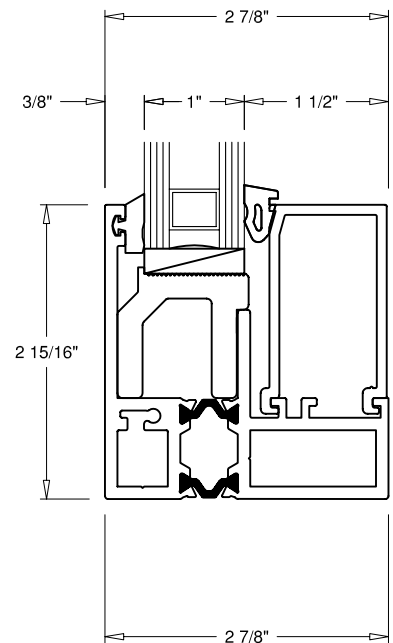
① **HEAD OPERABLE**



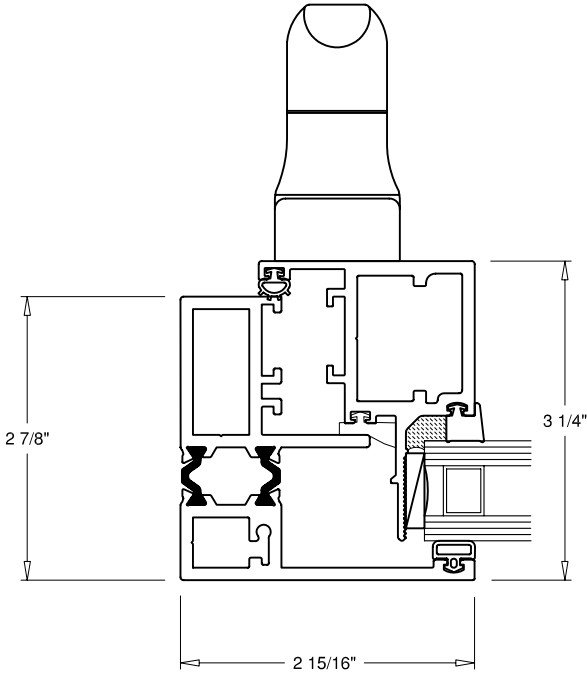
③ **HEAD FIXED**



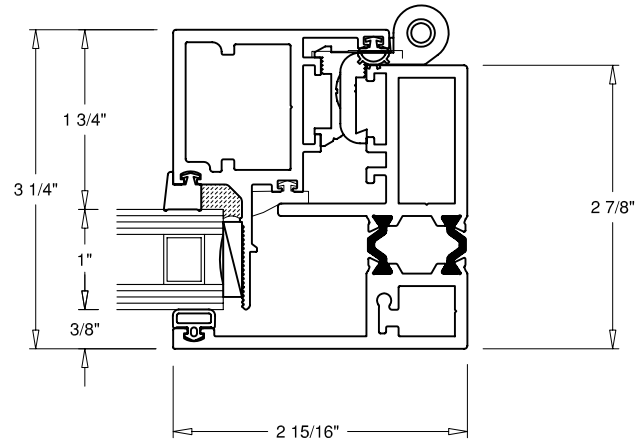
② **SILL OPERABLE**



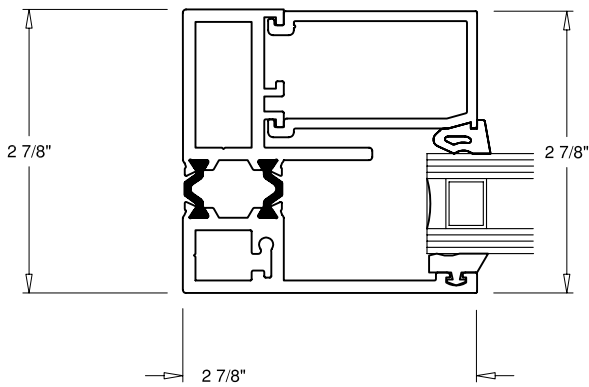
④ **SILL FIXED**



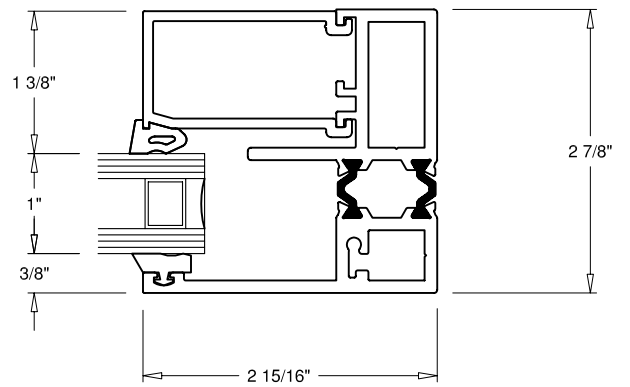
⑤ **JAMB**
OPERABLE (HANDLE SIDE)



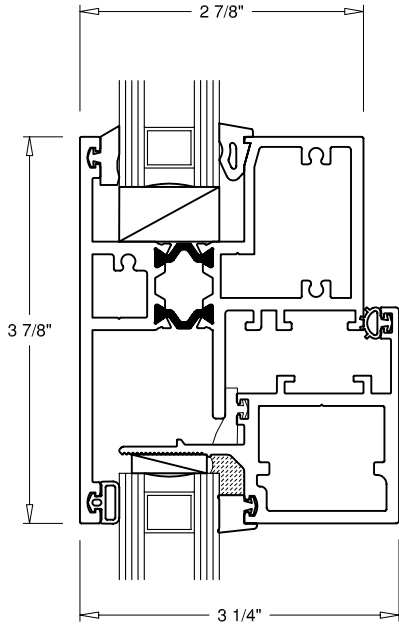
⑥ **JAMB**
OPERABLE (HINGE SIDE)



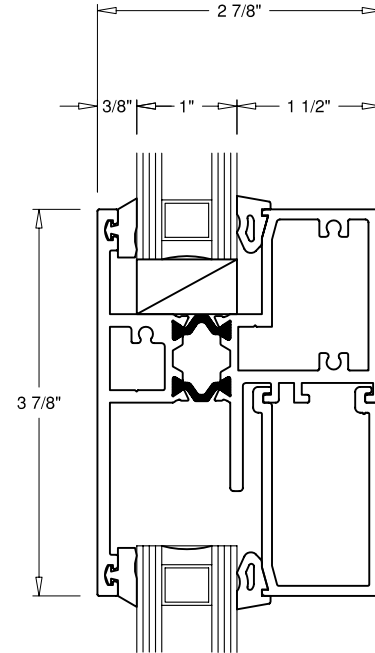
⑦ **JAMB**
FIXED



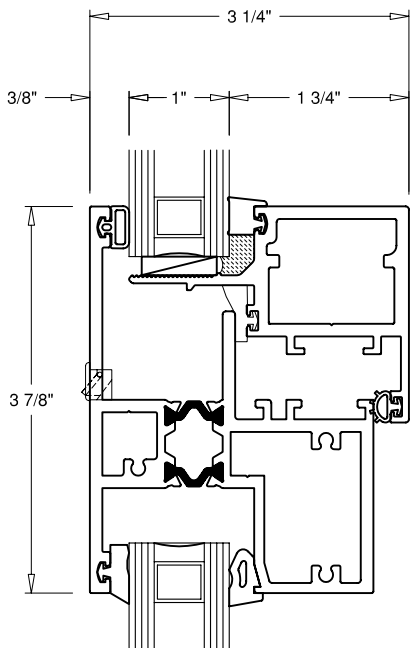
⑧ **JAMB**
FIXED



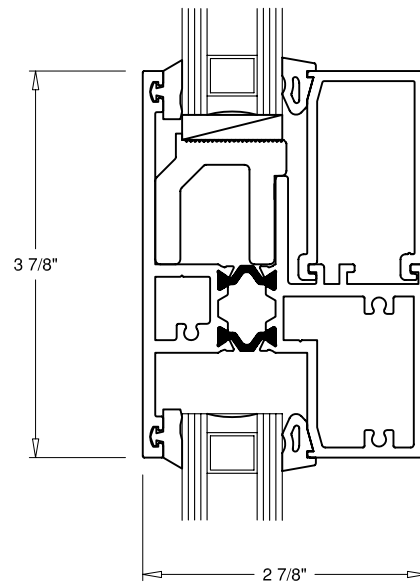
9 INT. MULLION
FIXED OVER OPERABLE



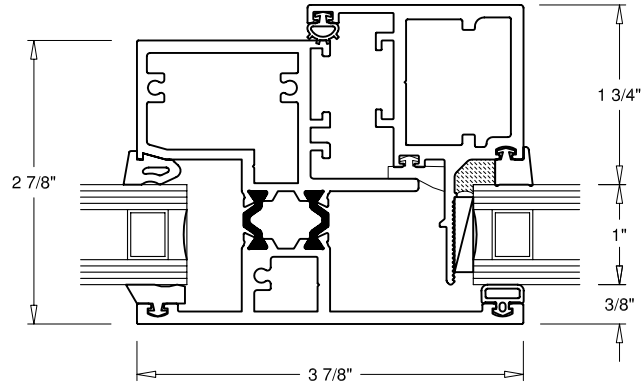
11 INT. MULLION
FIXED OVER FIXED



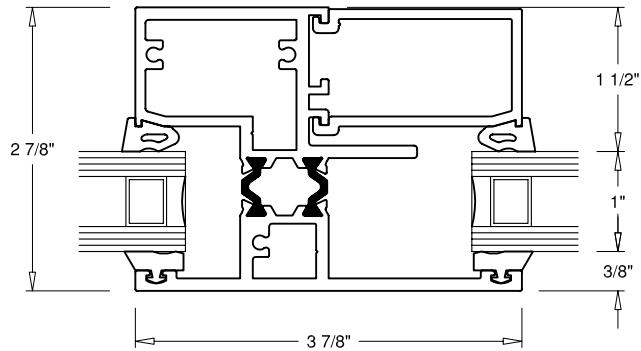
10 INT. MULLION
OPERABLE OVER FIXED



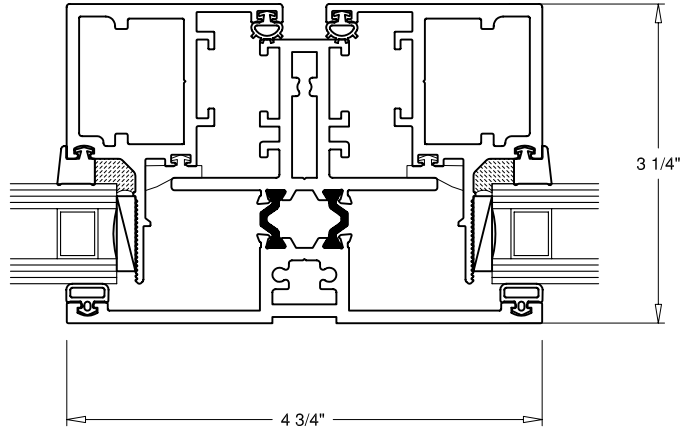
12 INT. MULLION
FIXED OVER FIXED



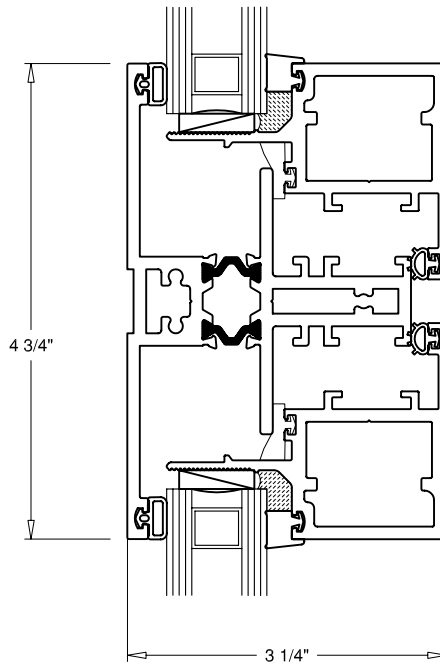
13 IMPOST
FIXED TO OPERABLE



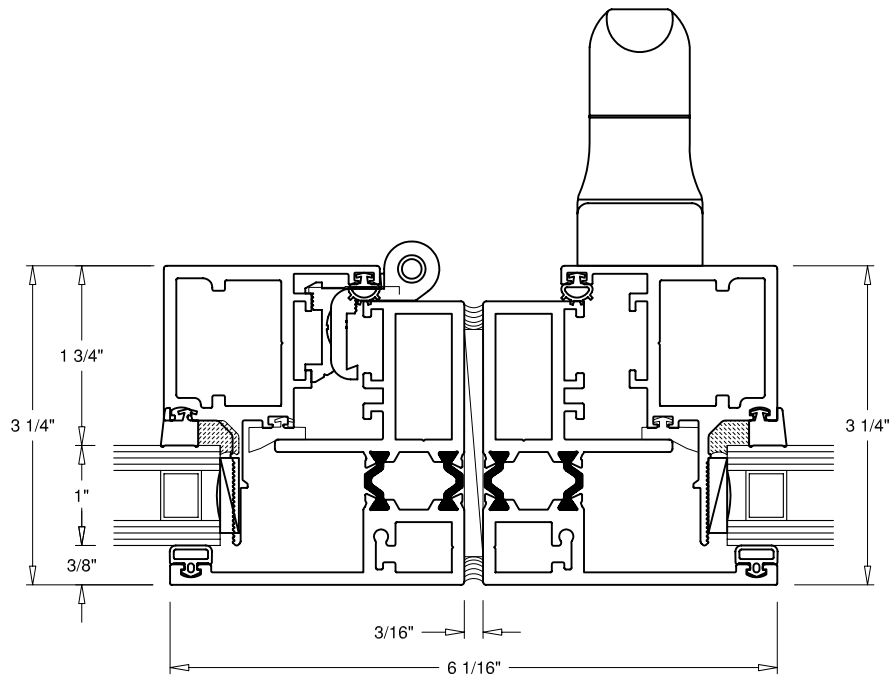
14 IMPOST
FIXED TO FIXED



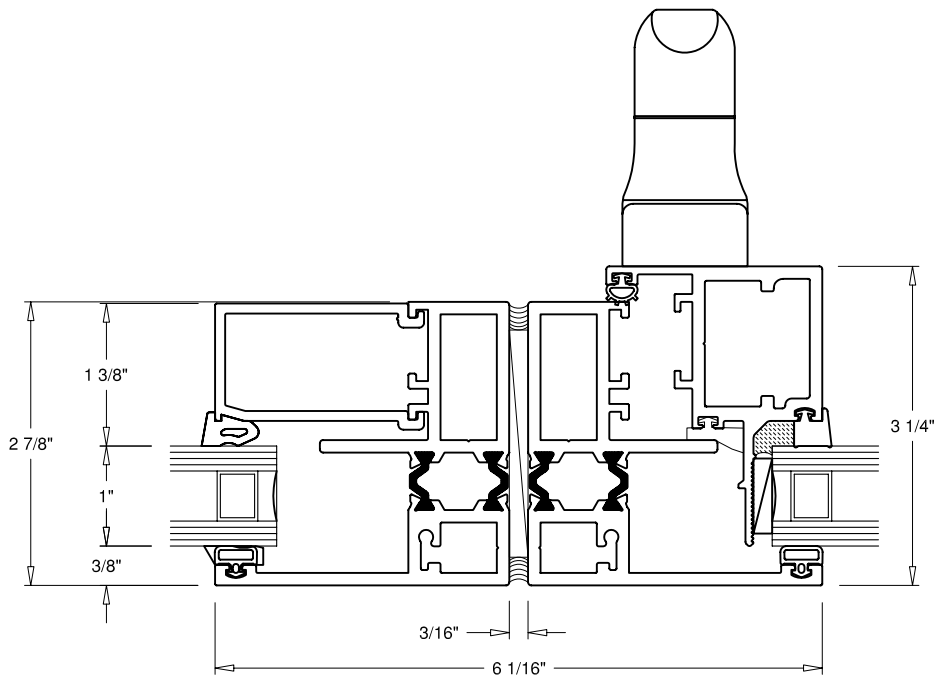
15 IMPOST (VERTICAL)
OPERABLE TO OPERABLE



16 IMPOST (HORIZONTAL)
OPERABLE TO OPERABLE



17 **MULLION**
OPERABLE (HINGE SIDE)



18 **MULLION**
FIXED TO OPERABLE