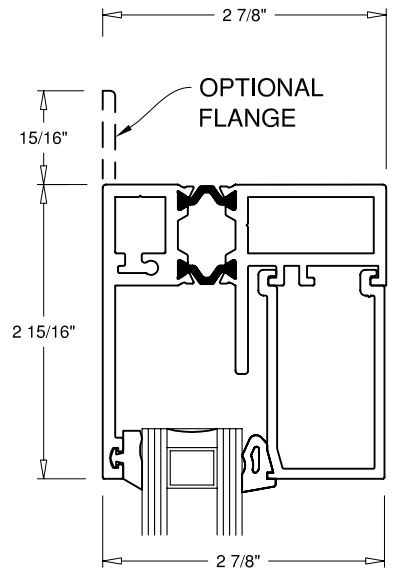
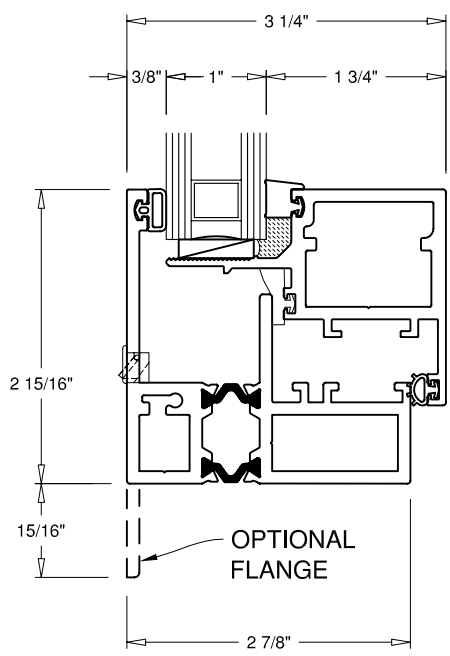


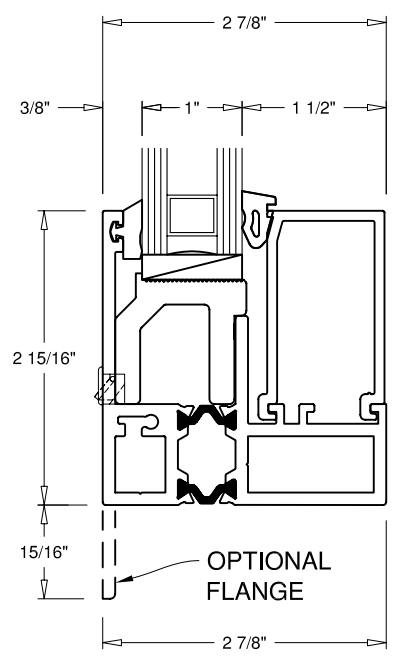
1 HEAD OPERABLE



3 HEAD FIXED

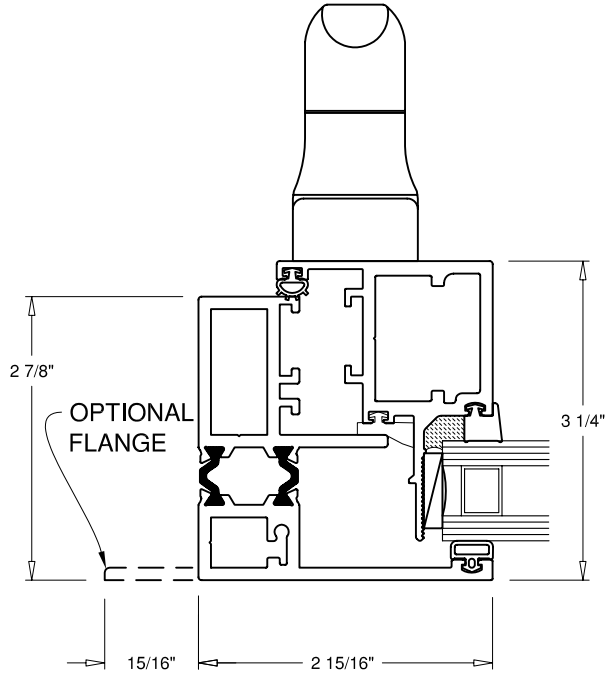


2 SILL OPERABLE

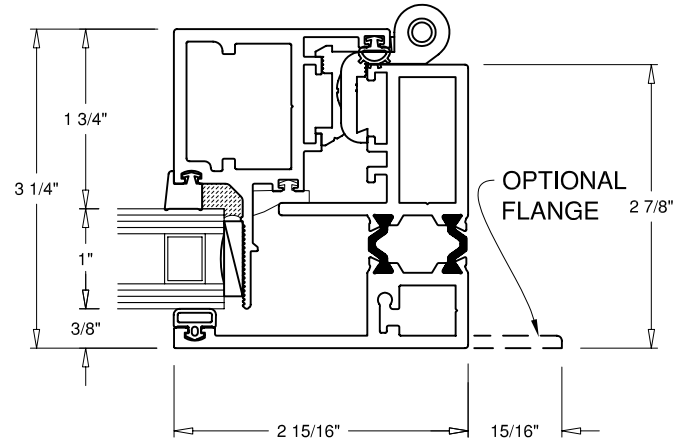


4 SILL FIXED

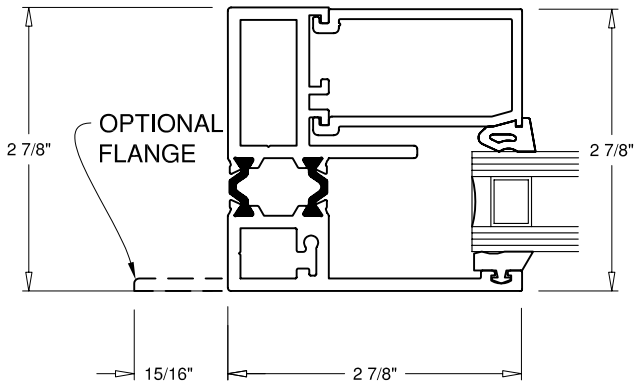
Z:\ENGINEERING\LIBRARY\WINDOW WALL\8000\CATALOG\8000nt.dwg, 6/15/2009 11:46:42 AM, Lethbr, 11.91804



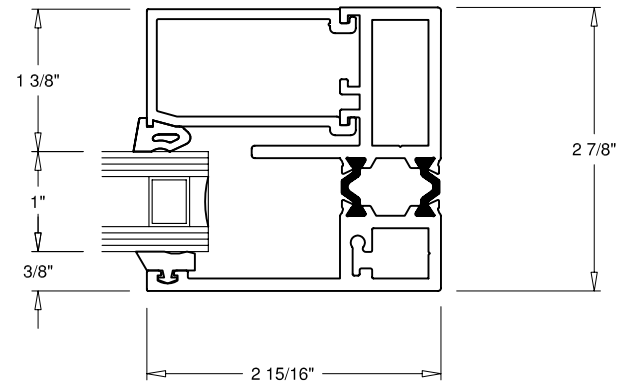
⑤ JAMB
OPERABLE (HANDLE SIDE)



⑥ JAMB
OPERABLE (HINGE SIDE)

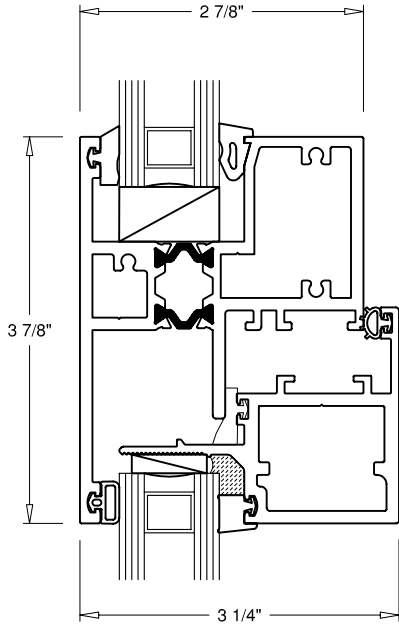


⑦ JAMB
FIXED

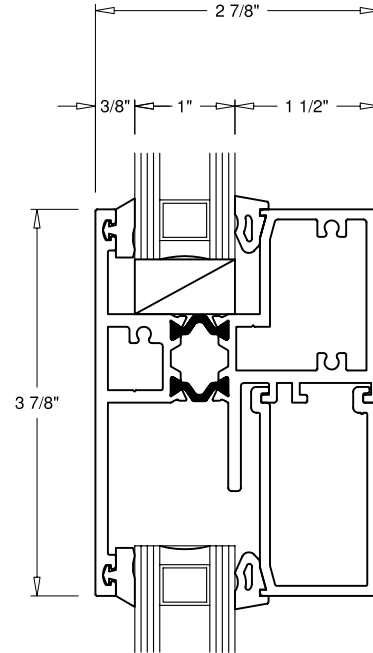


⑧ JAMB
FIXED

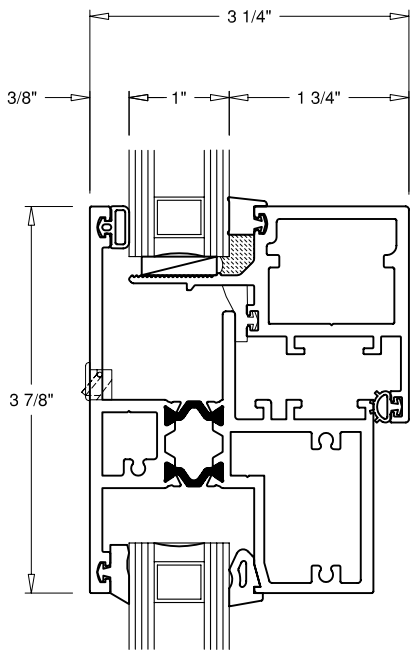
Z:\ENGINEERING\LIBRARY\WINDOW WALL\8000\CATALOG\8000nt.dwg, 6/15/2009 11:47:18 AM, Lethbr, 11.91804



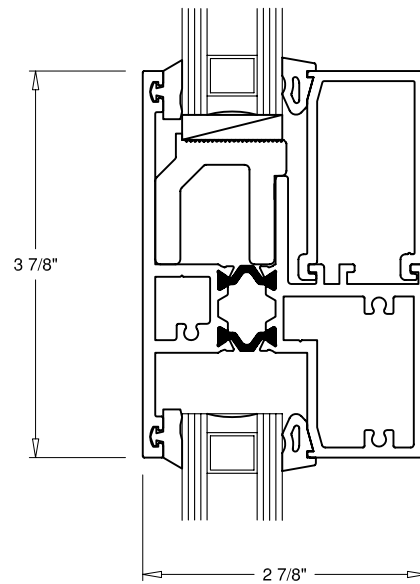
9 INT. MULLION
FIXED OVER OPERABLE



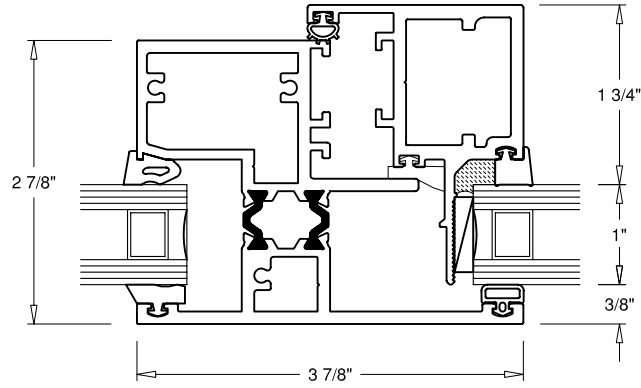
11 INT. MULLION
FIXED OVER FIXED



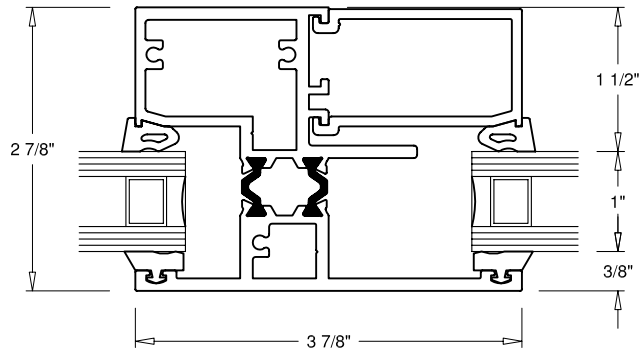
10 INT. MULLION
OPERABLE OVER FIXED



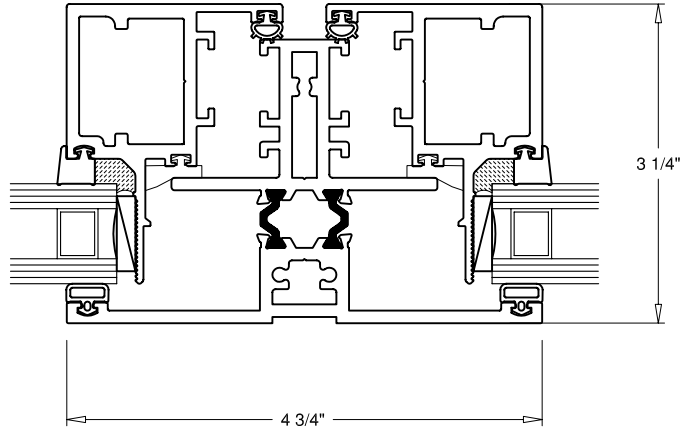
12 INT. MULLION
FIXED OVER FIXED



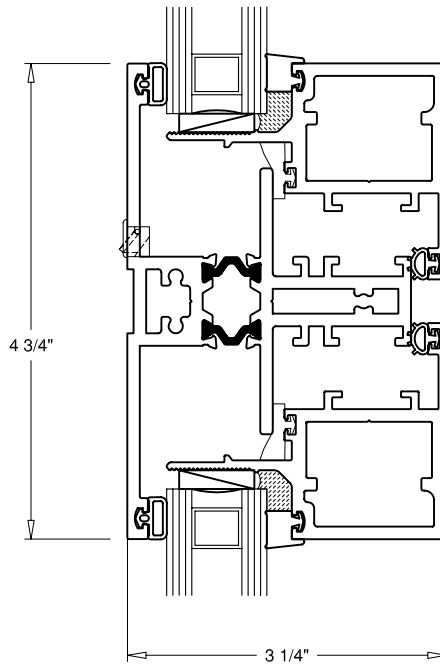
13 IMPOST
FIXED TO OPERABLE



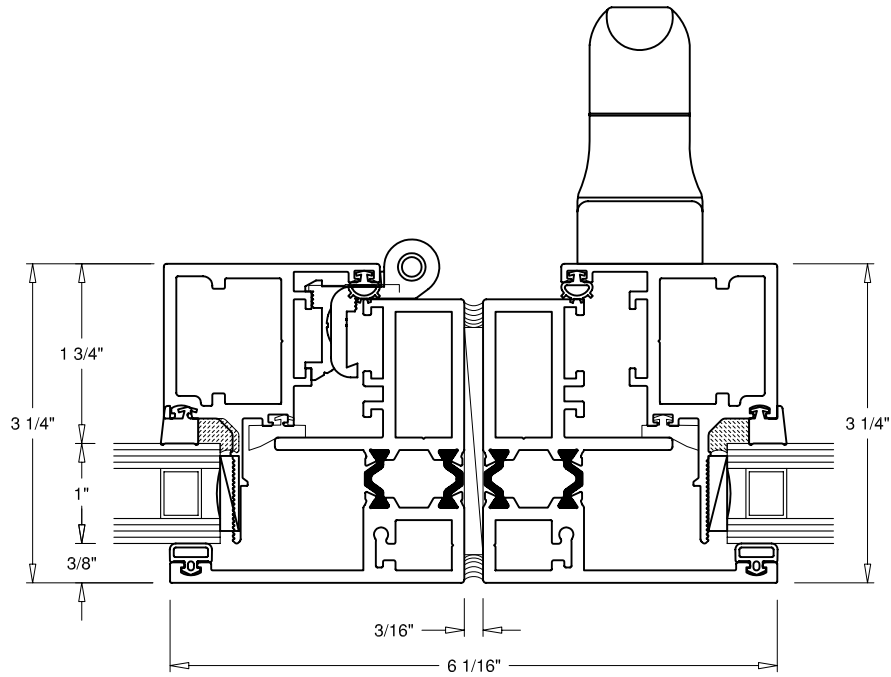
14 IMPOST
FIXED TO FIXED



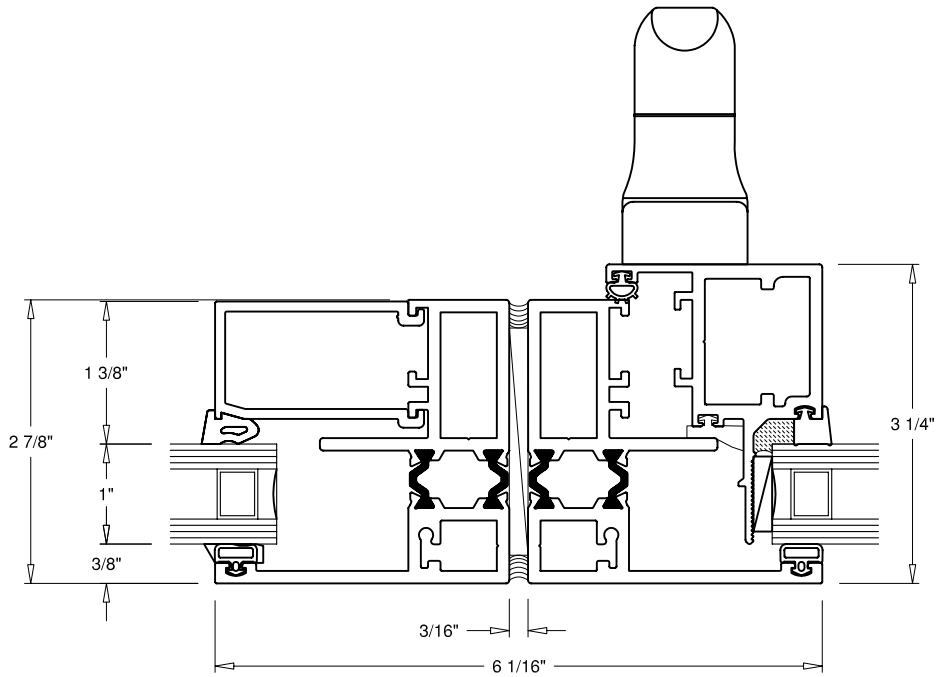
15 **IMPOST (VERTICAL)**
OPERABLE TO OPERABLE



16 **IMPOST (HORIZONTAL)**
OPERABLE TO OPERABLE



17 MULLION
OPERABLE (HINGE SIDE)



18 MULLION
FIXED TO OPERABLE