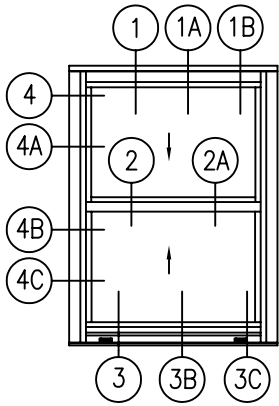
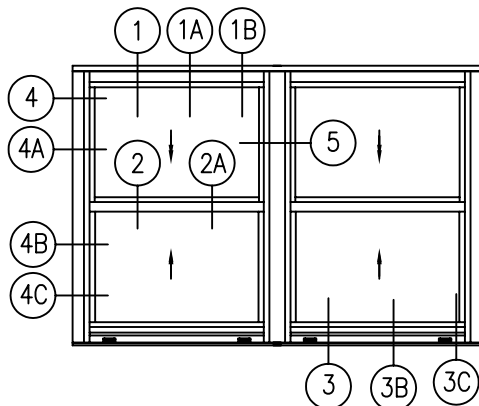


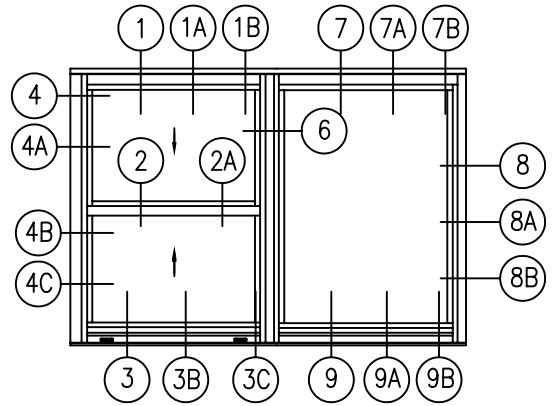
SCALE: NONE



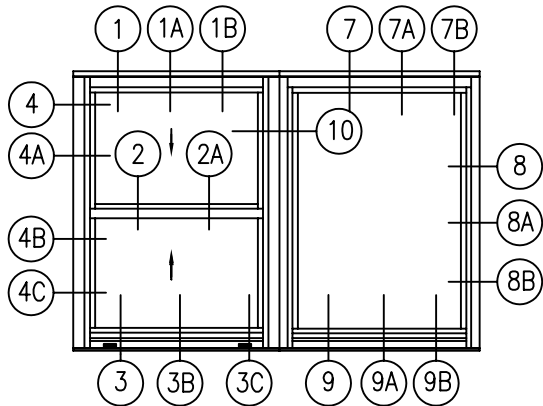
Double Hung



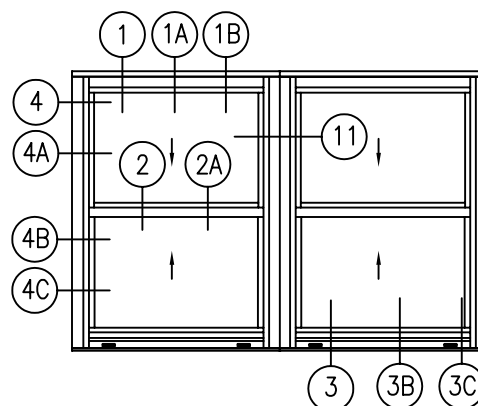
Single Master Frame
Double Hung/Double Hung



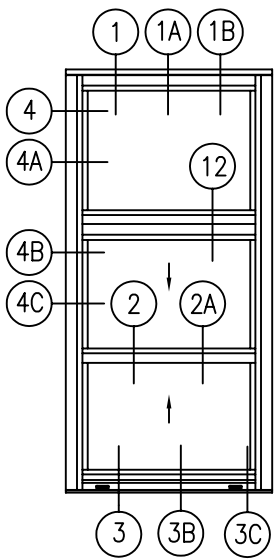
Single Master Frame
Double Hung/Fixed



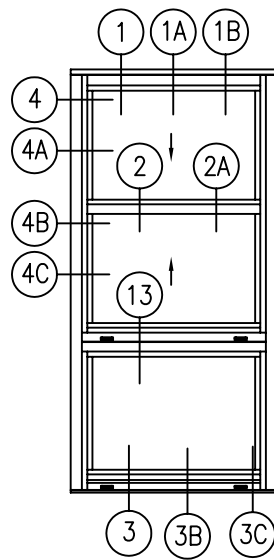
Field Applied Mullion Double Hung/Fixed



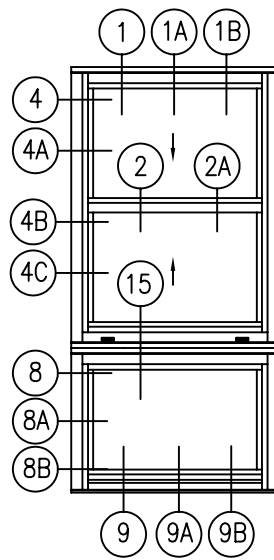
Field Applied Mullion
Double Hung/Double Hung



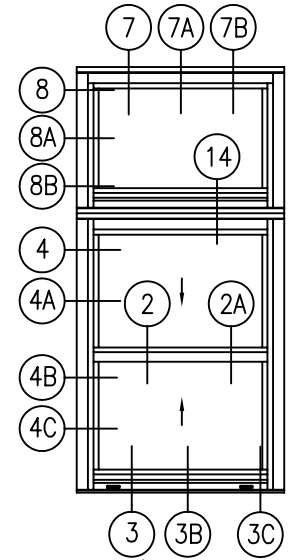
Top Tri-Lite



Bottom Tri-Lite



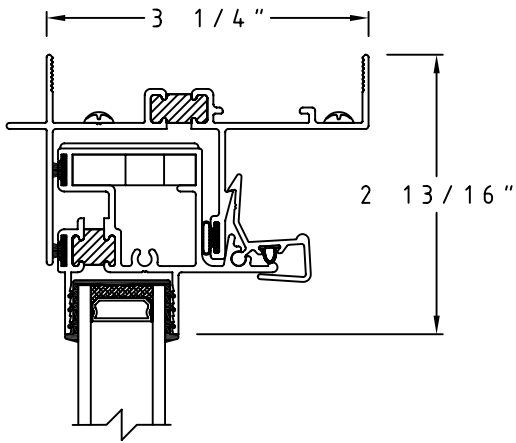
Double Hung/Fixed



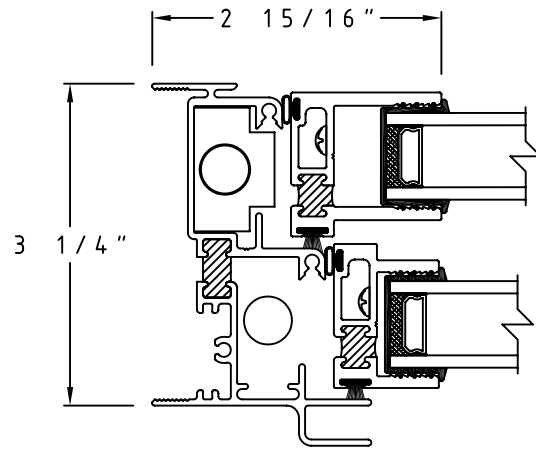
Fixed/Double Hung

All Elevations are viewed outside looking IN.

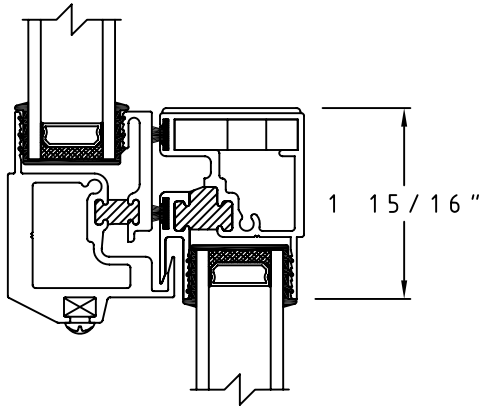
SCALE: HALF



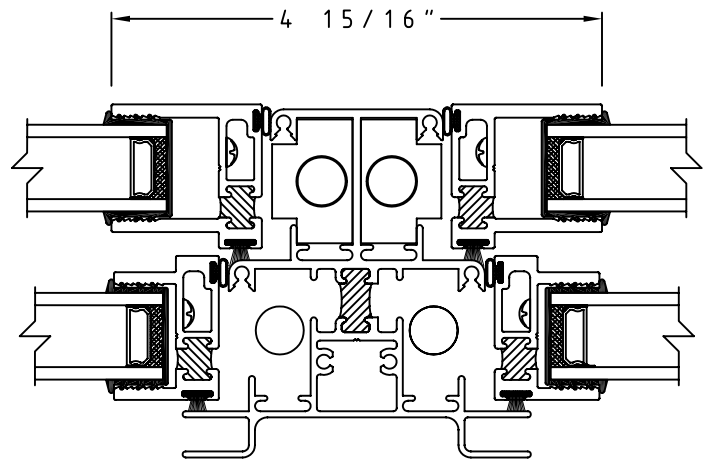
① Head Detail



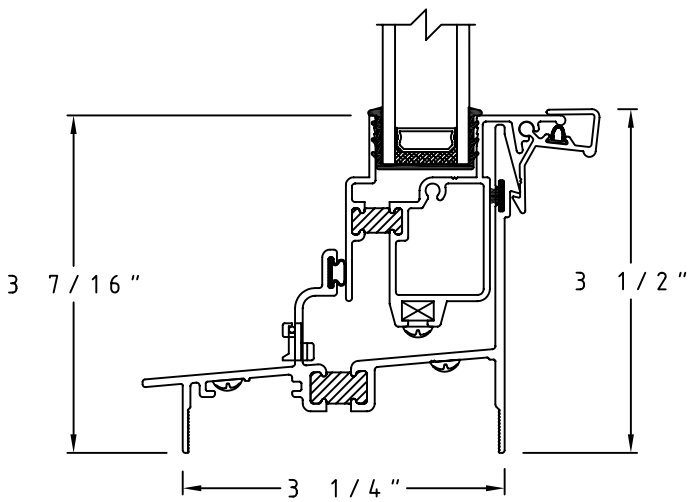
④ Jamb Detail



② Meeting Rail Detail

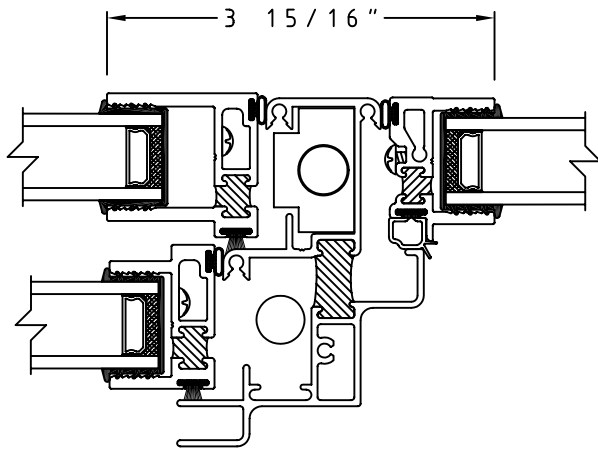


⑤ Interglaz Mullion Detail

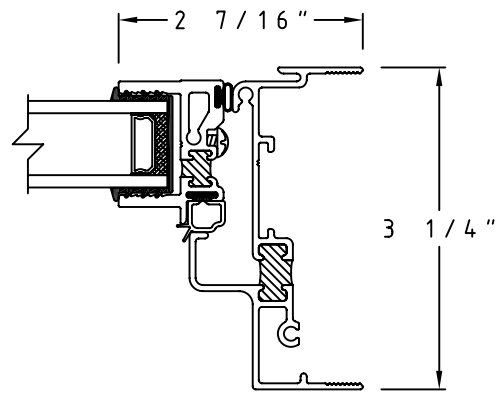


③ Sill Detail

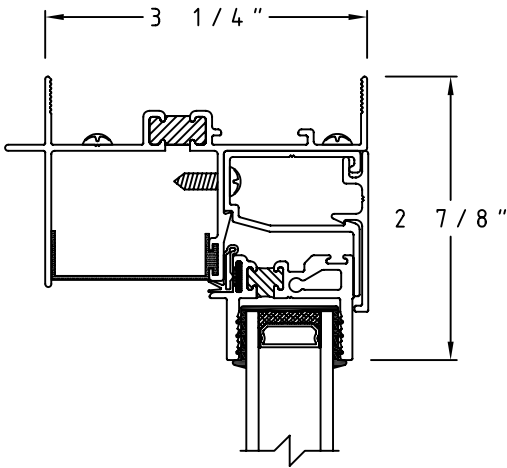
SCALE: HALF



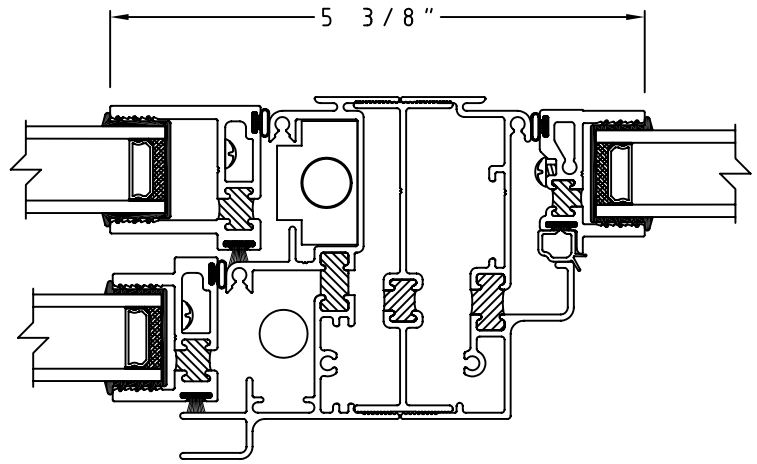
⑥ Double Hung/Fixed Intergal Mullion Detail



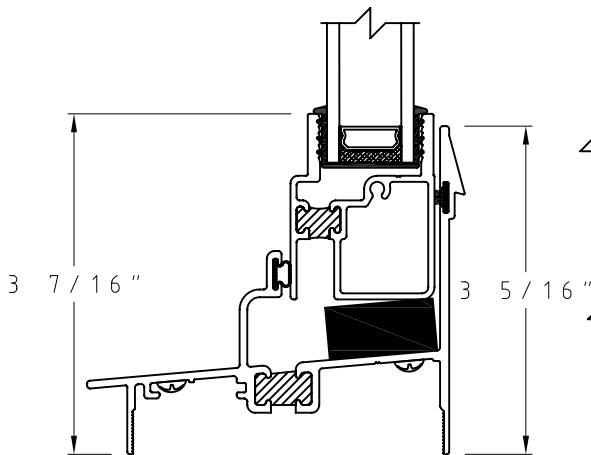
⑧ Fixed Jamb Detail



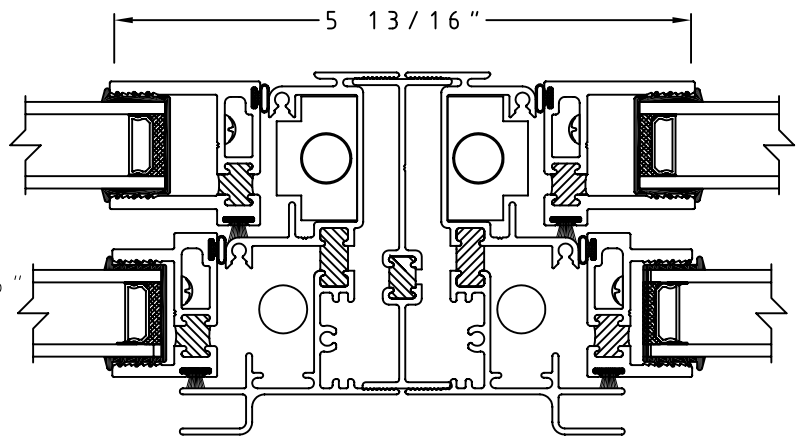
⑦ Fixed Head Detail



⑩ Double Hung/Fixed H Mullion Detail
(Field Applied)

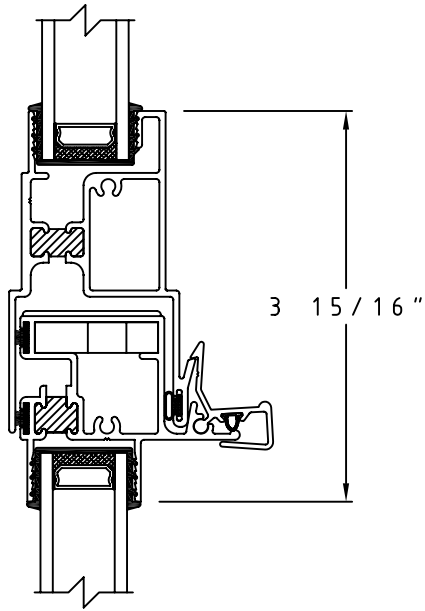


⑨ Fixed Sill Detail

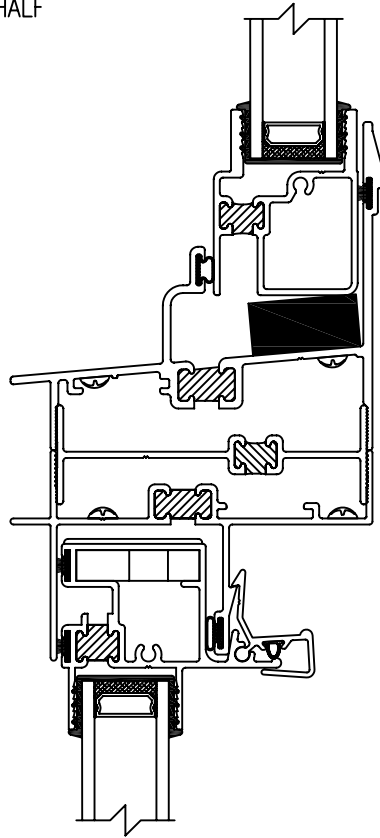


⑪ Double Hung/Double Hung H Mullion Detail
(Field Applied)

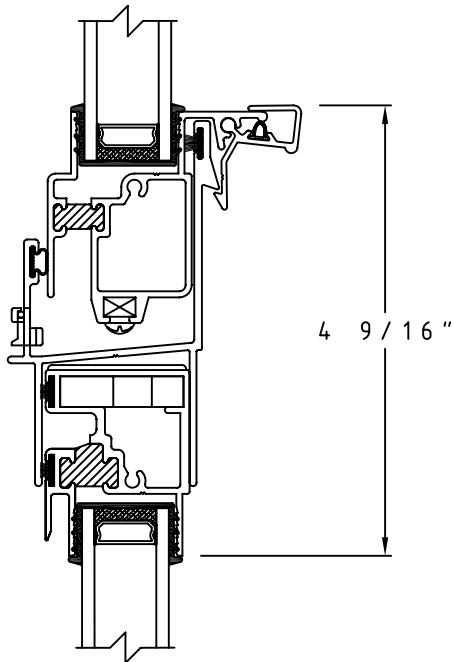
SCALE: HALF



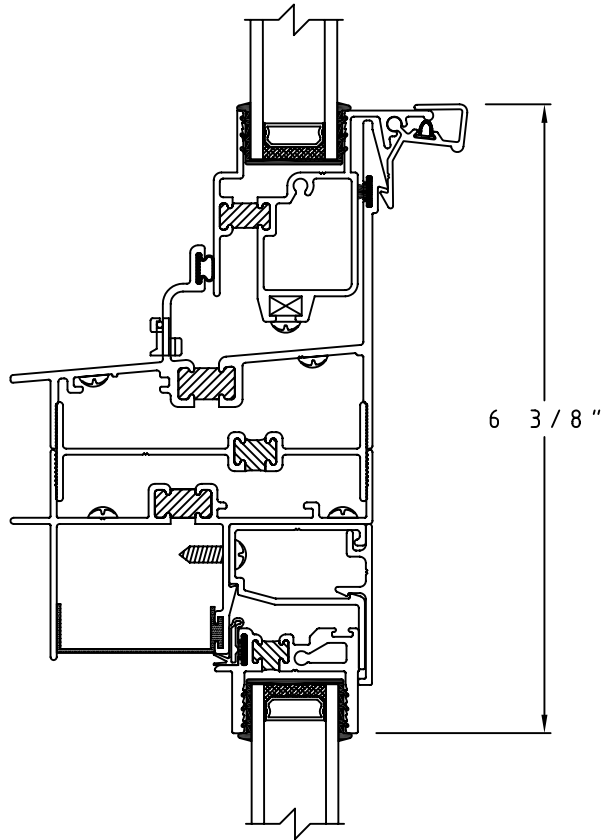
⑫ Top Tri-Lite Detail



⑭ Fixed/Double Hung Detail

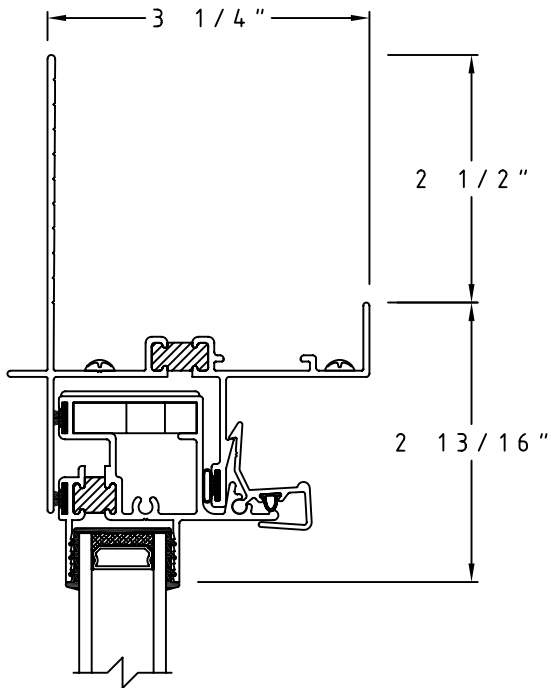


⑬ Bottom Tri-Lite Detail

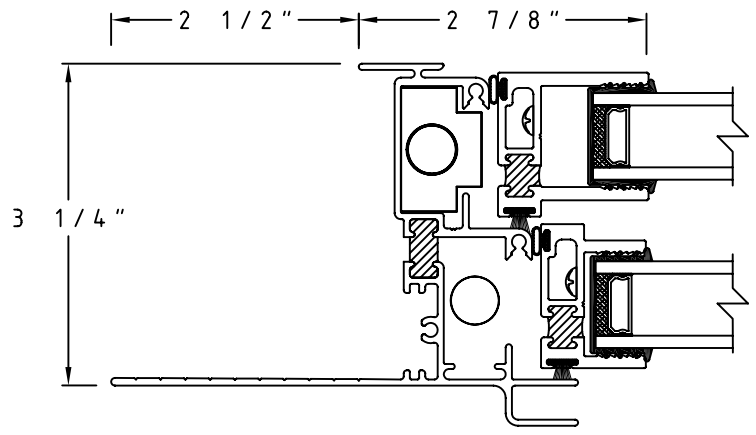


⑮ Double Hung/Fixed Detail

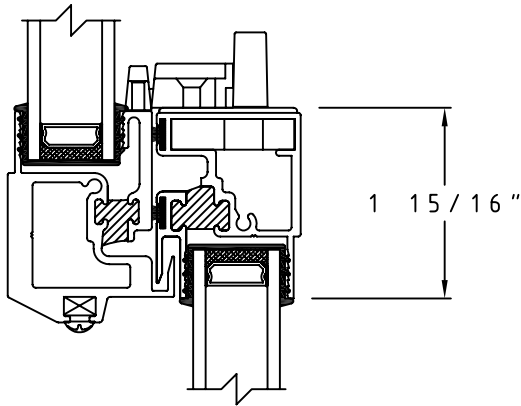
SCALE: HALF



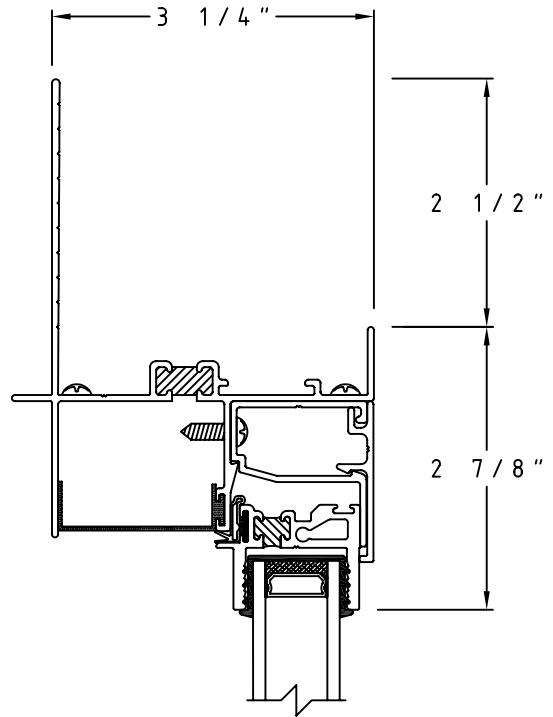
1A 2 1/2" Flange Head Detail



4A 2 1/2" Flange Jamb Detail

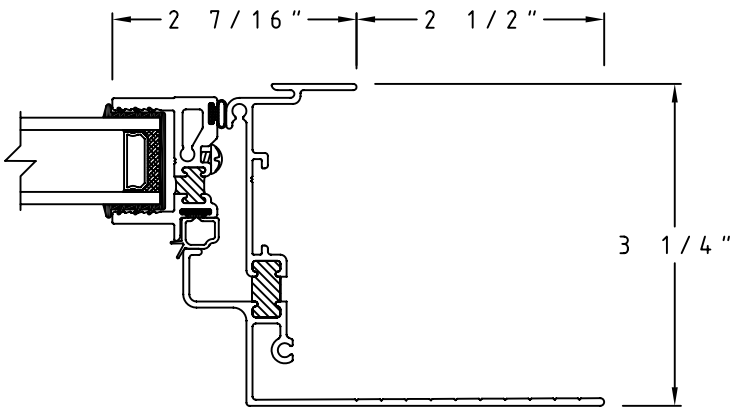


2A Meeting Rail with Lock & Keeper

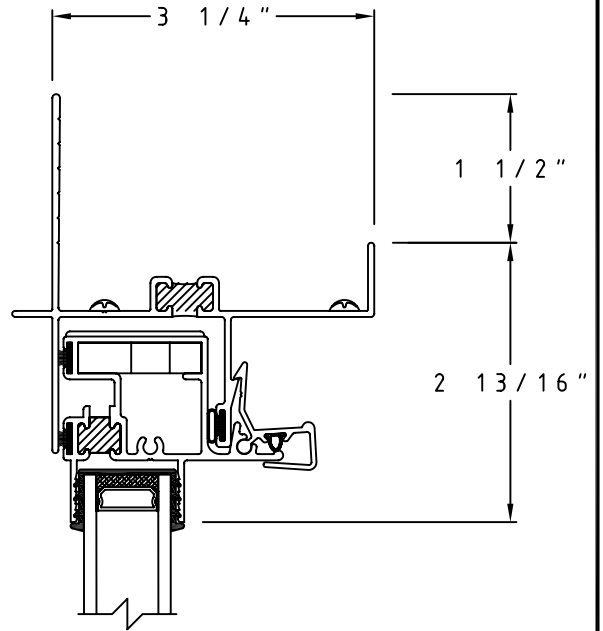


7A 2 1/2" Fixed Flange Head Detail

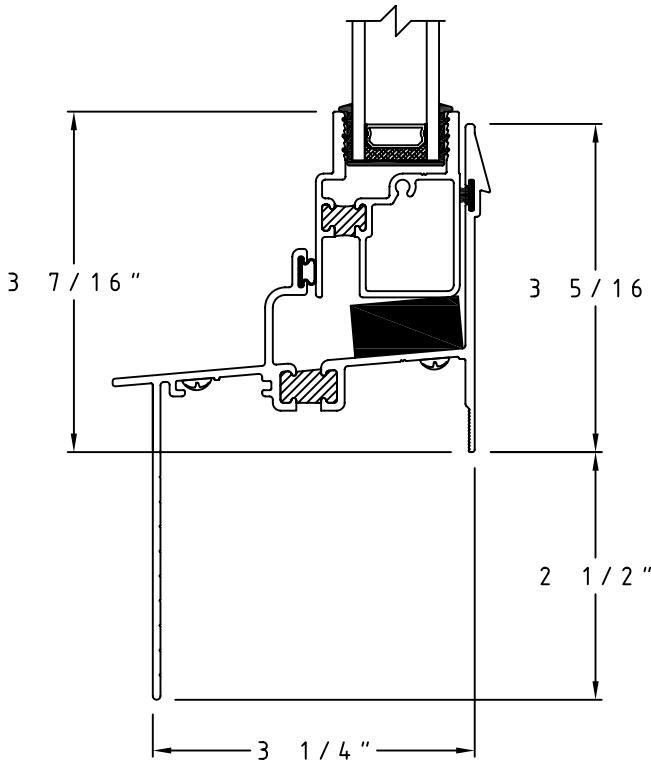
SCALE: HALF



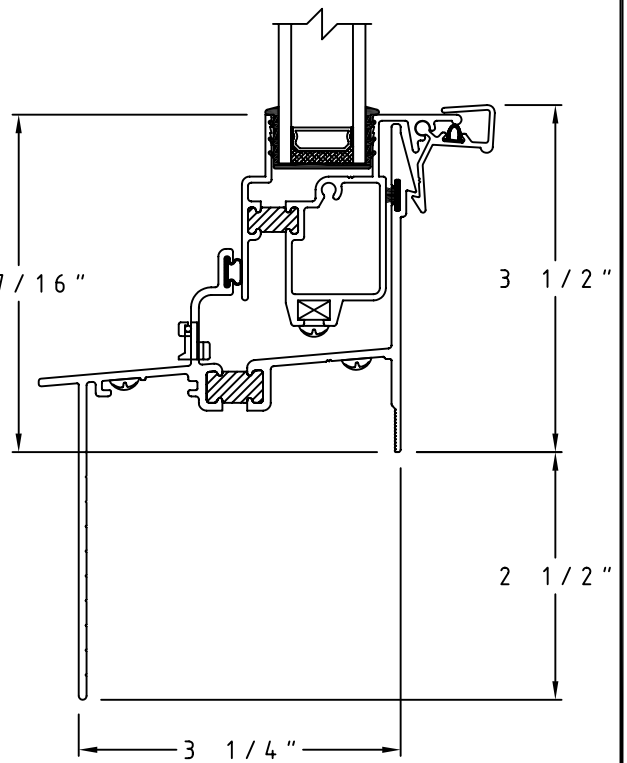
8A 2 1/2" Fixed Flange Jamb Detail



1B 1 1/2" Flange Head Detail

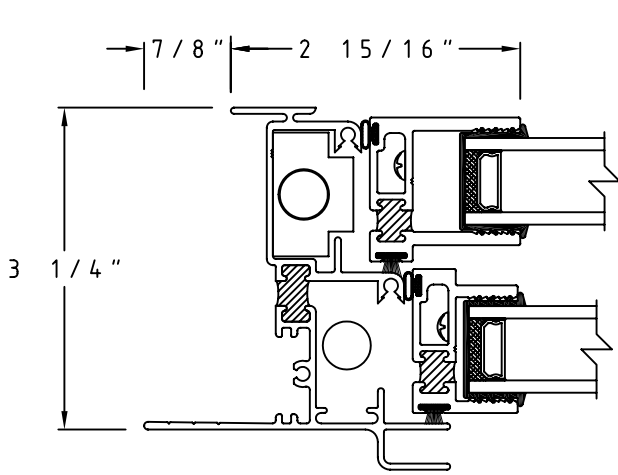


9A 2 1/2" Fixed Flange Sill Detail

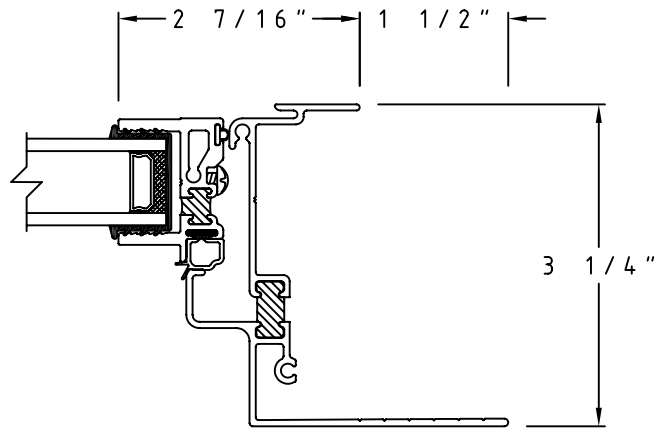


3B 2 1/2" Flange Sill Detail

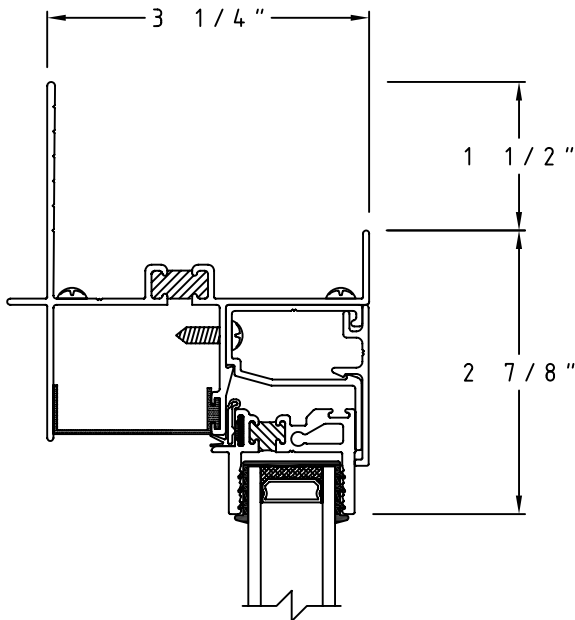
SCALE: HALF



④B 7/8" Flange Jamb Detail

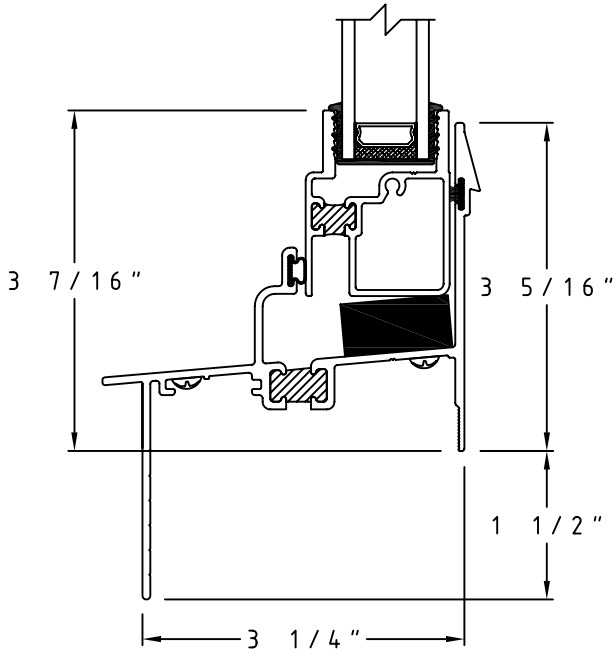


⑧B 1 1/2" Fixed Flange Jamb Detail

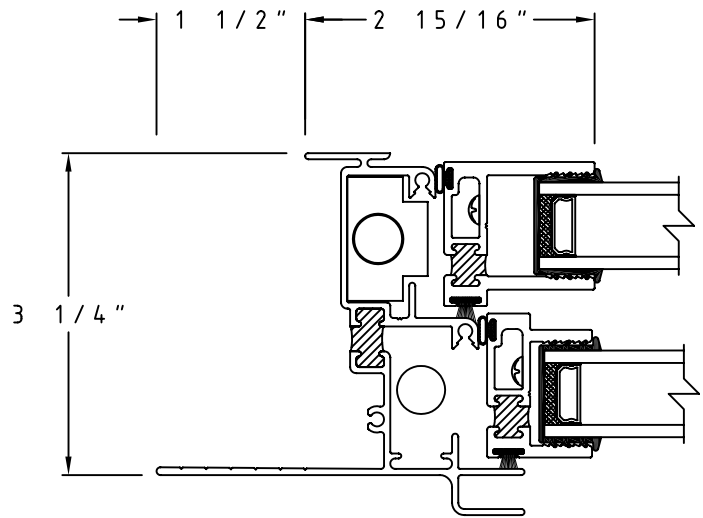


⑦B 1 1/2" Fixed Flange Head Detail

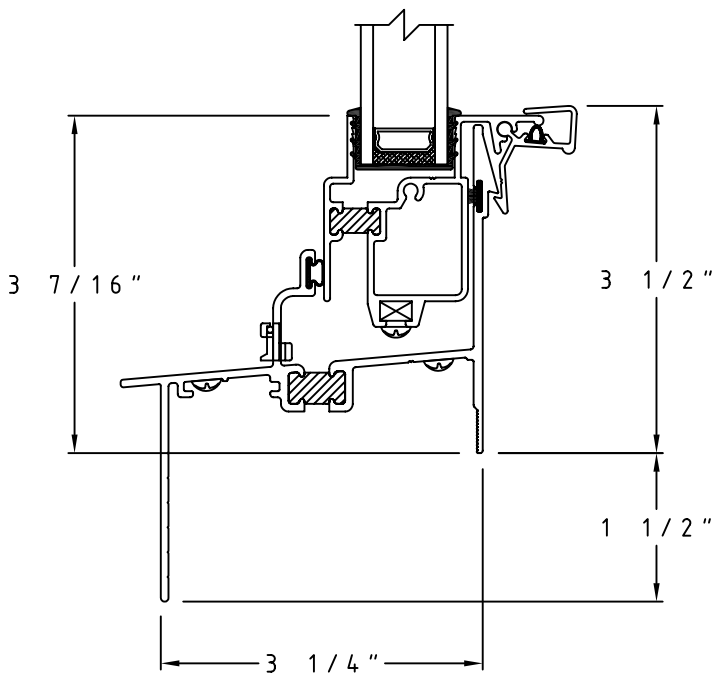
SCALE: HALF



9B 1 1/2" Fixed Flange Sill Detail



4C 1 1/2" Flange Jamb Detail



3C 1 1/2" Flange Sill Detail