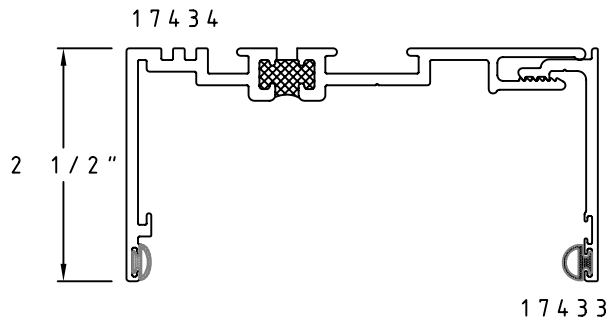


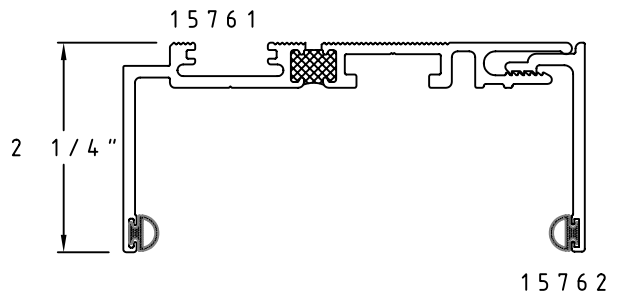
# Champion Receptor/Sub Sill

SCALE: HALF

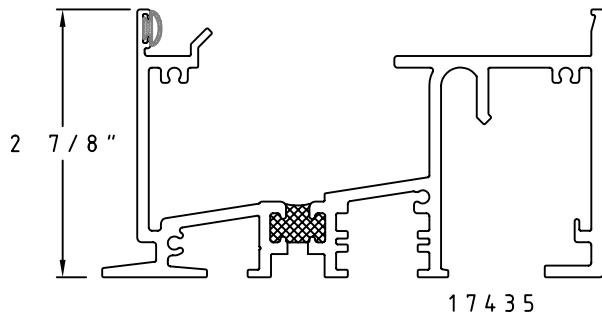
Sheet 1 of 5



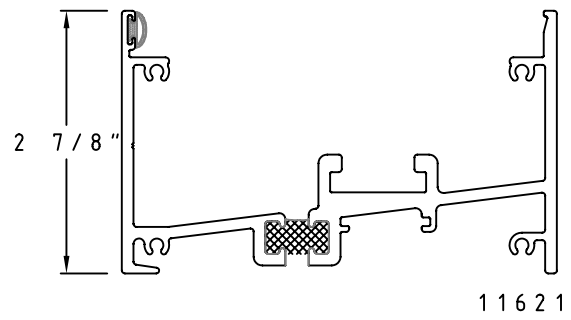
(R10) 4 1/2" Receptor



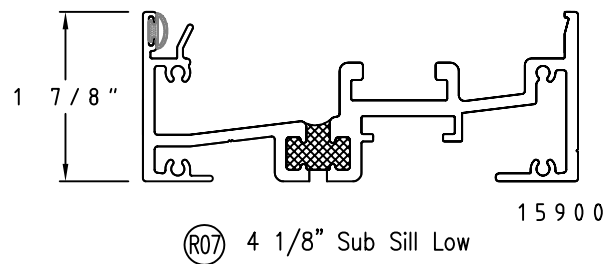
(R01) 4 1/8" Receptor



(R11) 4 1/2" Sub Sill



(R04) 4 1/8" Sub Sill



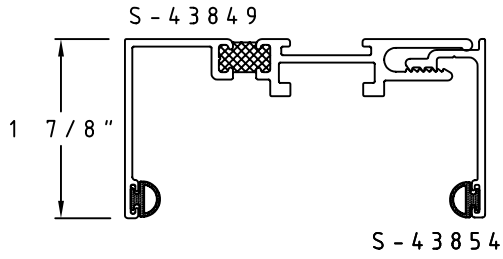
(R07) 4 1/8" Sub Sill Low

C  
h  
a  
m  
p  
i  
o  
n  
  
R  
e  
c  
e  
p  
t  
o  
r  
  
/  
  
S  
u  
b  
  
S  
i  
l  
l

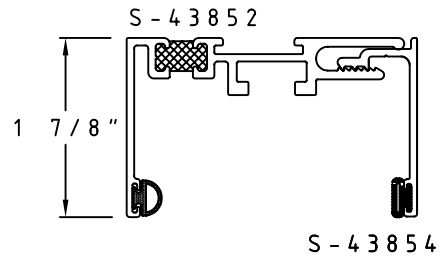
# Champion Receptor/Sub Sill

SCALE: HALF

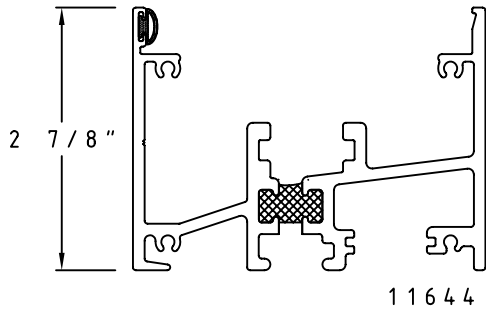
Sheet 2 of 5



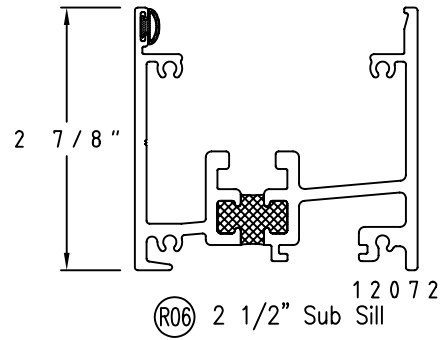
(R02) 3 1/4" Receptor



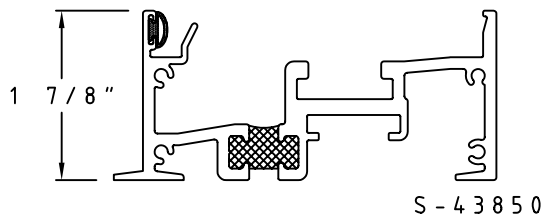
(R03) 2 1/2" Receptor



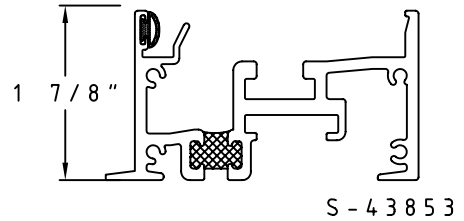
(R05) 3 1/4" Sub Sill



(R06) 2 1/2" Sub Sill



(R08) 3 1/4" Sub Sill Low



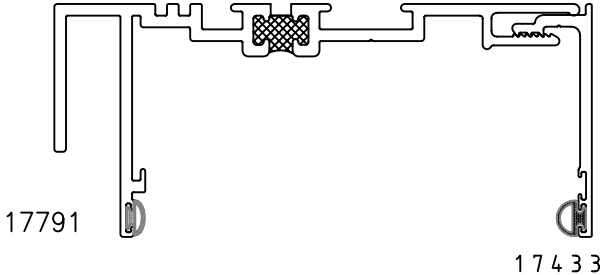
(R09) 2 1/2" Sub Sill Low

C  
h  
a  
m  
p  
i  
o  
n  
  
R  
e  
c  
e  
p  
t  
o  
r  
  
/  
  
S  
u  
b  
  
S  
i  
l  
l

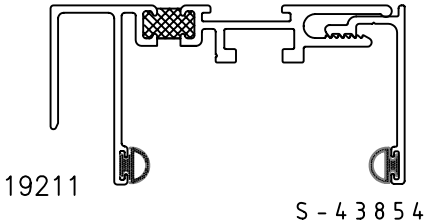
# Champion Receptor/Sub Sill

SCALE: HALF

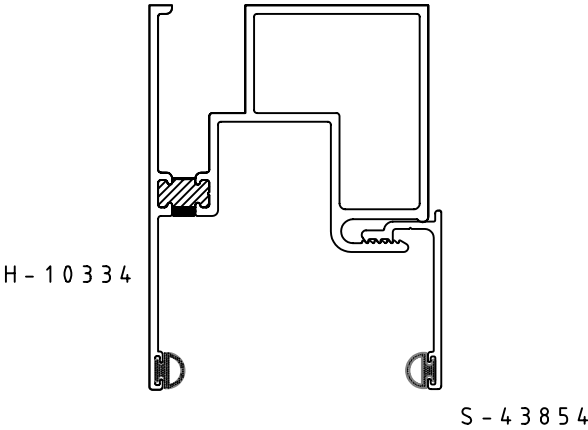
Sheet 3 of 5



(R12) 4 1/2" Receptor w/Slab cover Leg



(R13) 2 1/2" Receptor w/Slab Cover Leg



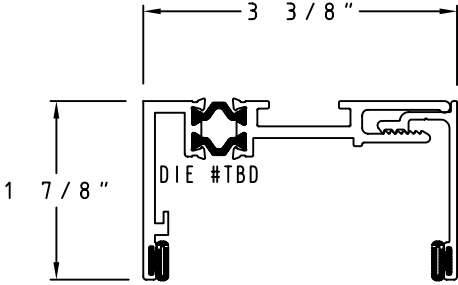
(R14) 2 1/2" Receptor Extended Jamb

C  
h  
a  
m  
p  
i  
o  
n  
  
R  
e  
c  
e  
p  
t  
o  
r  
  
/  
  
S  
u  
b  
  
S  
i  
l  
l

# Champion Receptor/Sub Sill

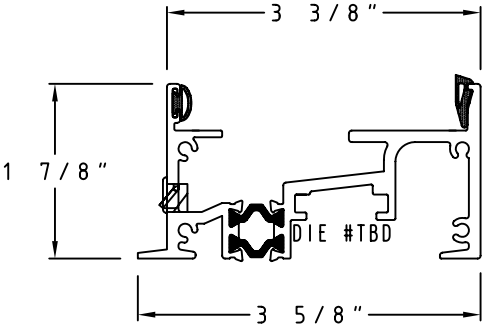
SCALE: HALF

Sheet 3 of 5



S - 4 3 8 5 4

(R15) 2 7/8" Receptor

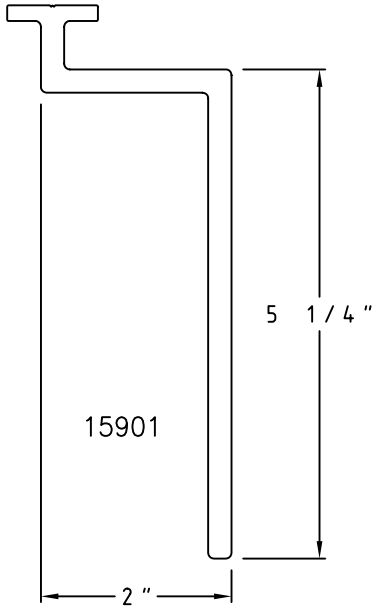


(R16) 2 7/8" Sub Sill

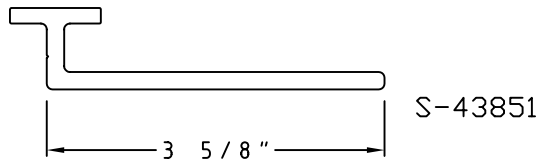
C  
h  
a  
m  
p  
i  
o  
n  
  
R  
e  
c  
e  
p  
t  
o  
r  
  
/  
  
S  
u  
b  
  
S  
i  
l  
l

# Champion Receptor/Sub Sill Slide In Anchors

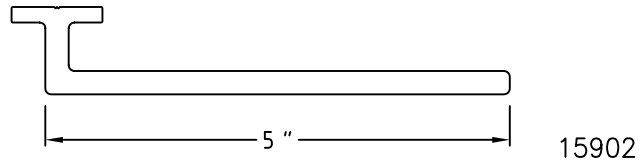
SCALE: HALF



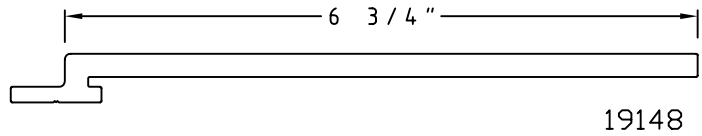
(R17) Sub Sill "L" Shape  
2" x 5 1/4"  
Use on R07, R08, R09, R11, R16



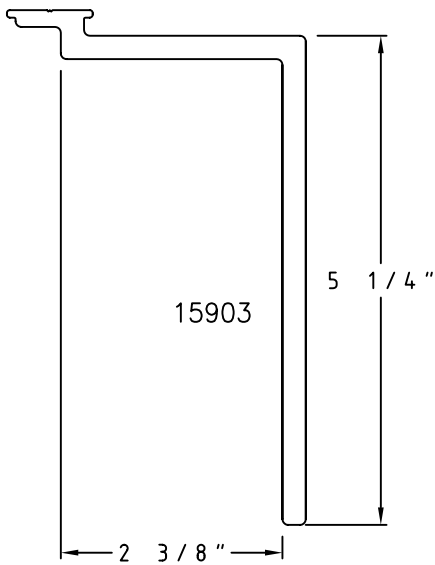
(R19) Sub Sill Anchor 3 5/8"  
Use on R07, R08, R09, R11, R16



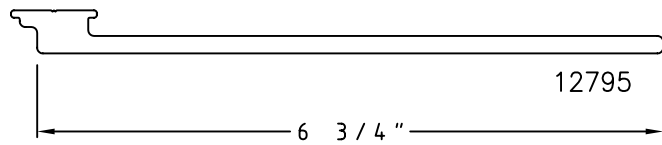
(R20) Sub Sill Anchor 5"  
Use on R07, R08, R09, R11, R16



(R21) 4 1/2" Receptor Slide In Anchor  
Use on R10, R12, R15



(R18) Sub Sill Projected "L" Shape  
2 3/8" x 5 1/4"  
Use on R05, R06



(R22) Receptor Projected Slide In Anchor  
Use on R10, R12