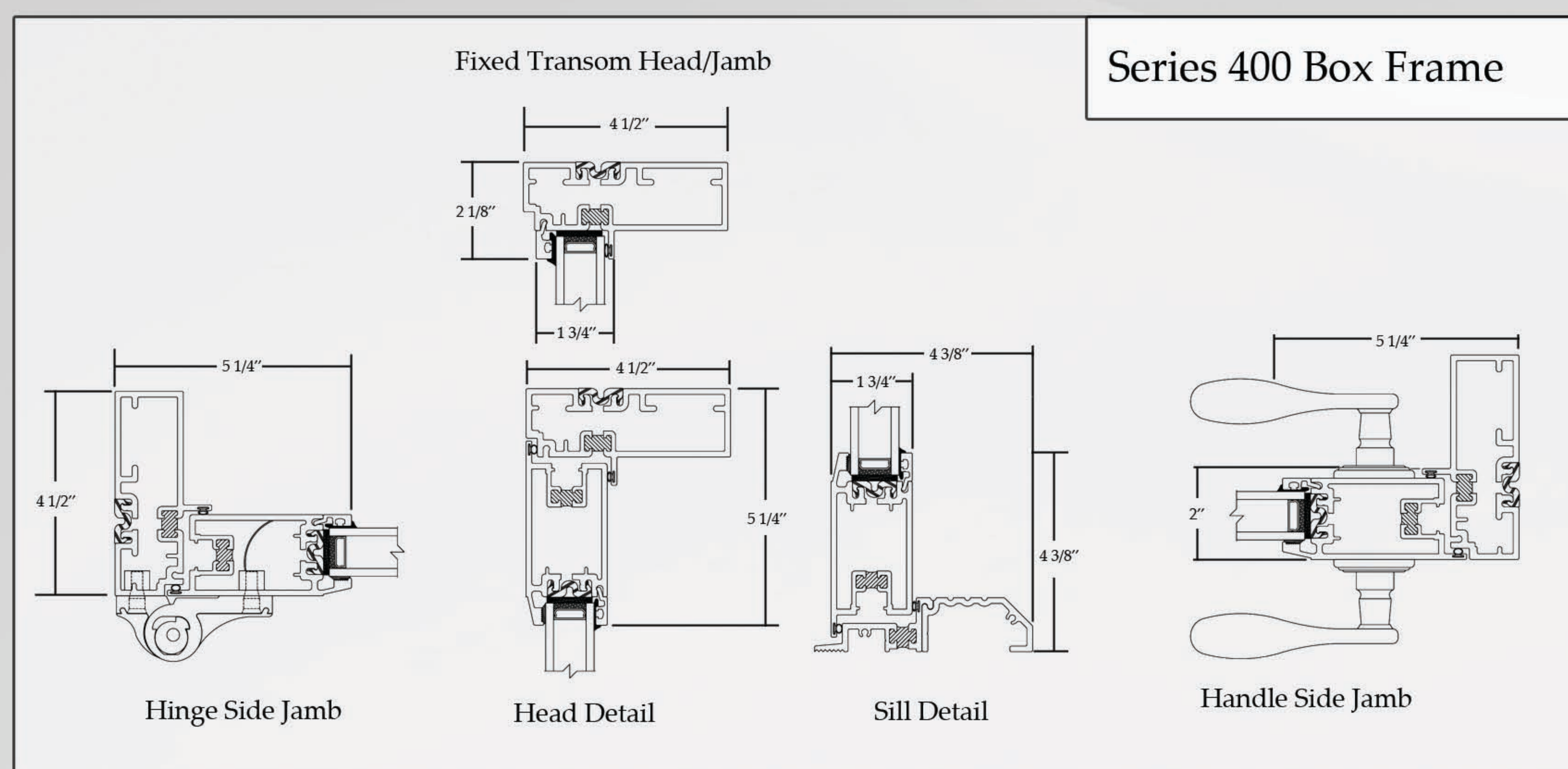


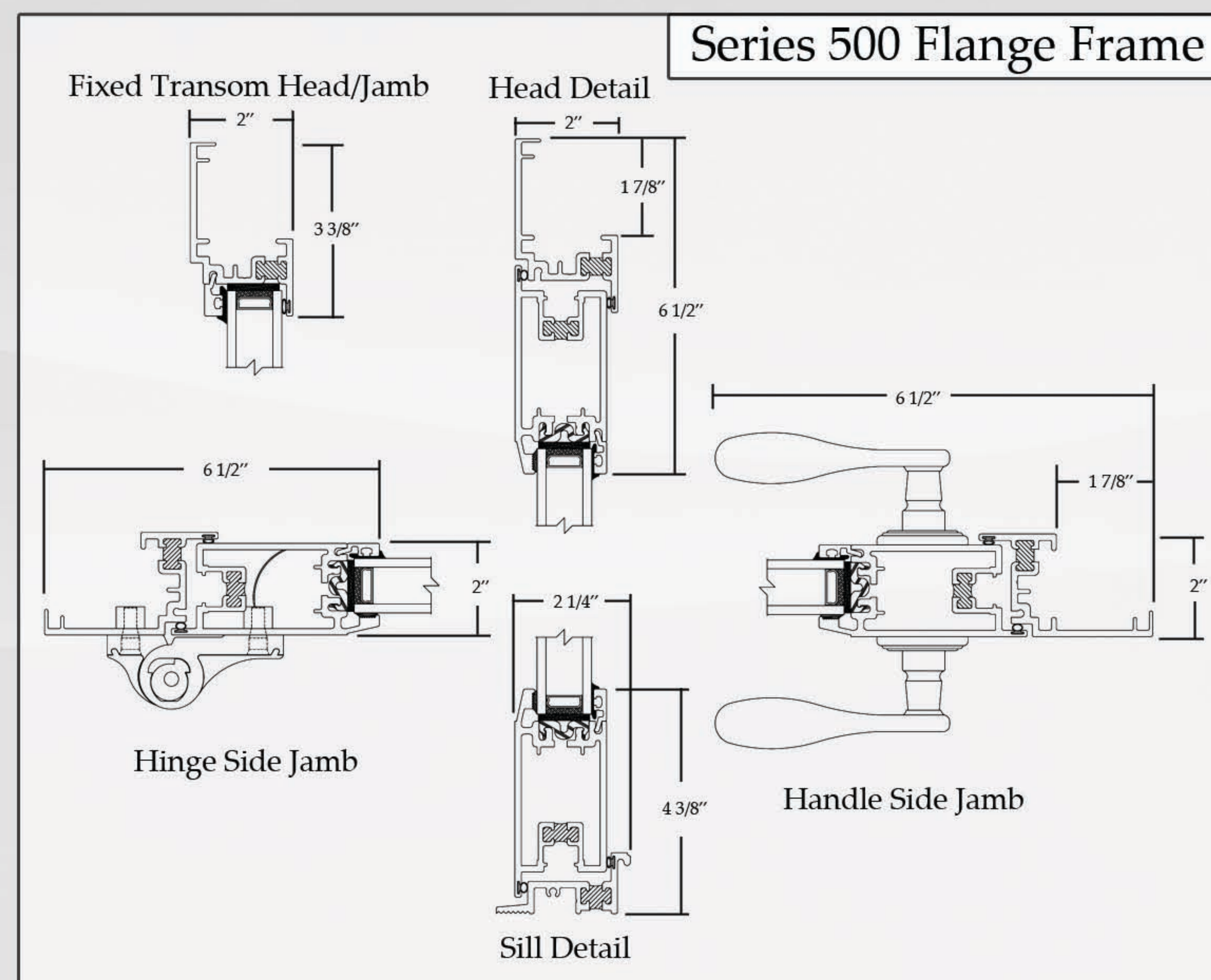
The Champion 400/500 Terrace Doors provide versatility and high performance. The 4 1/2" box frame (400) and 2" retrofit flange frame (500) terrace doors both feature three-way adjustable heavy-duty butt hinges and a three-point multiple locking device as standard hardware. The doors maintain low profiles while providing high performance water resistance. Locking hardware is available in multiple finishes and all doors have a "hold-open" limit safety device to prevent wind damage while open. The 400/500 Series Terrace Doors are equipped with 1" insulating safety glazing and have fully thermally-broken components.



~Quality Products and Service Since 1952~

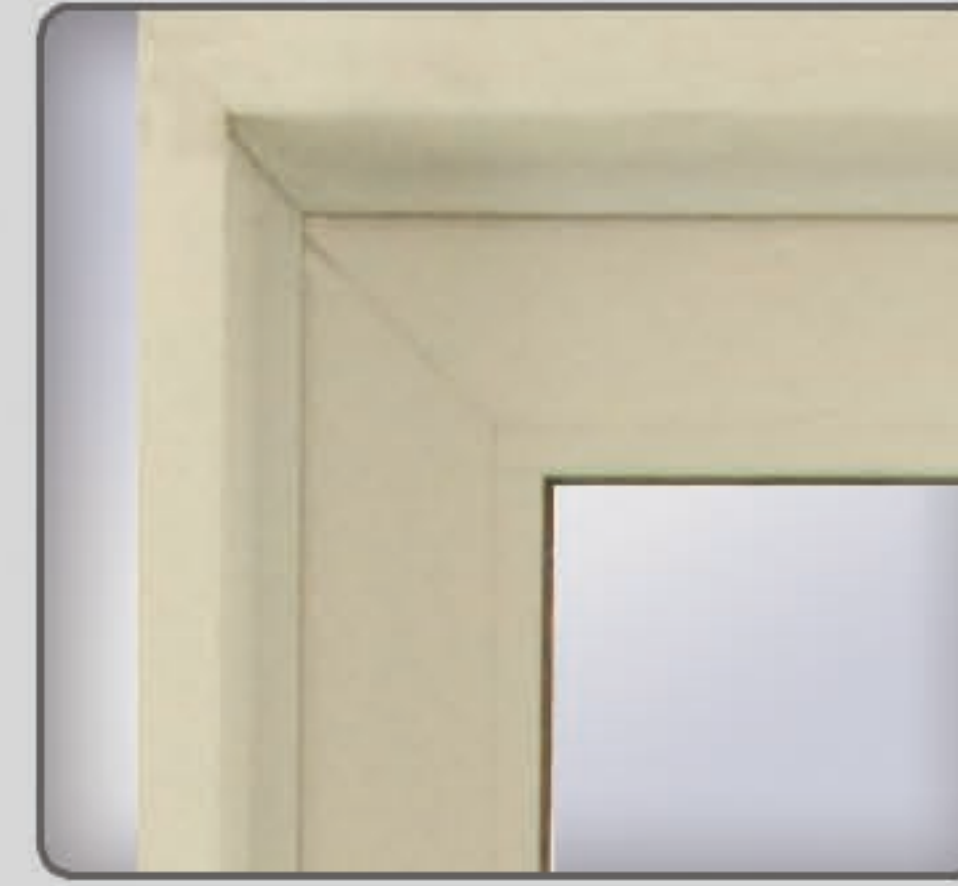
Terrace Door Features

Series 400 Box Frame Door	Applied Grids
Series 500 Flange Frame Door	Brushed Chrome Handle-Set
Series 400: 4 1/2" Frame	Three-Point Lock (Up to 92")
Series 500: 2" Frame	Four-Point Lock (Over 92")
Series 400: ATW-AW75 Rating	Three-Way Adjustable Hinges
Series 500: ATW-AW60 Rating	Horizontal/Vertical Mullions
0.125" Nominal Wall Thickness	Minimum Size: 24"W x 72"H
1" Insulating Glass	Maximum Test Size: 42"W x 90"H
Resistor Arm	(Min/Max may vary with application)



Terrace Door Options

Internal Grids	Colored Lock Assemblies
Satan Nickel Handle Set	Single-Point Lock
Painted Hinge Finishes	Single-Point Keyed Lock
Retro fit 1 1/4" Frame (500)	Multi-Point Keyed Lock
Mull/Window Adapter	Restrictor with Various Degrees
2 1/2", 3" Sill Plate	<i>French Door:</i>
True Divide Transom	One or Two Side Active
True Divide Sidelight	With/Without Center Post



4 1/2" Box Frame



2" Flange Frame



3-Way Adjustable Hinges



Handle with 3-Point Lock



Terrace Door Performance

Champion's Series 400/500 Terrace Doors are AAMA certified, with test results meeting all the requirements for their respective ratings in accordance with the 101/I.S.2/A440-08 testing standards. As part of its commitment to quality, Champion maintains a testing facility that it uses to continuously test its products, ensuring that they continuously meet requirements.

Title of Test	400 ATW-AW75	500 ATW-AW60
Force to Latch	8.0 lbf	10.0 lbf
Air Infiltration	0.09 cfm ² @ 25mph	0.08 cfm ² @ 50mph
Water Resistance Test Pressure	12.12 psf	12.12 psf
Uniform Load Deflection Test Pressure	90.28 psf	60.19 psf
Uniform Load Structural Test Pressure	112.85 psf	90.28 psf
Forced Entry Resistance	Pass	Pass

